

NCF fans 60Hz


















The Nederman NCF Fans have direct drive motors which means a safe and cost effective operation. Installing an energy efficient NCF fan with our other Nederman products saves time and reduces energy costs. It is a centrifugal fan designed for use in all types of industrial process and ventilation systems, mounted indoor as well as outdoor. The fan is equipped with vibration absorbers as standard.










Product name	NCF fans 60Hz
Protection class	IP 55
Installation	Outdoor, Indoor
Material	Sheet metal, painted grey, RAL 7045
Ambient temperature range	-30 to +40 °C (22 F to 104 F)
Operating Temperature	Max 140 F (60 C)
Frequency (Hz)	60
No of phases	3



NCF fans 60Hz

Image	Description	Power Voltage (V)	Amperage (A)	Noise level (dB(A))	Weight (lbs)	Power (Hp)	Model
	FAN NCF 30/15	208	8,6	69 db(A) at 2500 m ³ /h	148	3.0 (2.2 Kw)	14521828
	FAN NCF 30/20	208	11,5		187	4.0 (3 Kw)	14521928
	FAN NCF 30/25	208	15,1	74 db(A) at 4000 m ³ /h	231	5.4 (4 Kw)	14522028
	FAN NCF 40/25	208	18,7	75 db(A) at 4000 m ³ /h	243	7.4 (5.5 Kw)	14522128
	FAN NCF 80/20	207	26,2	77 db(A) at 6000 m ³ /h	331	10.0 (7.5 Kw)	14522328
	Fan NCF 120/15	208	38,4	85 db(A) at 10000 m ³ /h	355	14.7 (11 Kw)	14522428
	FAN NCF 30/15	230/460	7,8/3,9	69 db(A) at 2500 m ³ /h	148	3.0 (2.2 Kw)	14522728
	FAN NCF 30/20	230/460	10,4/5,2		187	4.0 (3 Kw)	14522828
	FAN NCF 30/25	230/460	13,6/6,8	74 db(A) at 4000 m ³ /h	231	5.4 (4 Kw)	14522928
	FAN NCF 40/25	230/460	17,0/8,5	75 db(A) at 4000 m ³ /h	243	7.4 (5.5 Kw)	14523028
	FAN NCF 50/25	230/460	17,0/8,5	78 db(A) at 3500 m ³ /h	247	7.4 (5.5 Kw)	14523128
	FAN NCF 80/20	230/460	23,8	77 db(A) at 6000 m ³ /h	331	10.0 (7.5 Kw)	14523228
	Fan NCF 120/15	230/460	34,8	85 db(A) at 10000 m ³ /h	355	14.7 (11 Kw)	14523328
	Fan NCF 120/25	230/460	46,8/23,4	82 db(A) at 8000 m ³ /h	511	20.0 (15 Kw)	14523428
	FAN NCF 160/25	230/460	60,0/30,0	84 db(A) at 10000 m ³ /h	644	24.8 (18.5 Kw)	14523528

NCF fans 60Hz

Image	Description	Power Voltage (V)	Amperage (A)	Noise level (dB(A))	Weight (lbs)	Power (Hp)	Model
	FAN NCF 30/15	575	3,1	69 db(A) at 2500 m ³ /h	148	3.0 (2.2 Kw)	14523628
	FAN NCF 30/20	575	4,2		187	4.0 (3 Kw)	14523728
	FAN NCF 30/25	575	5,5	74 db(A) at 4000 m ³ /h	231	5.4 (4 Kw)	14523828
	FAN NCF 40/25	575	6,8	75 db(A) at 4000 m ³ /h	243	7.4 (5.5 Kw)	14523928
	FAN NCF 50/25	575	6,8	78 db(A) at 3500 m ³ /h	247	7.4 (5.5 Kw)	14524028
	FAN NCF 80/20	575	9,5	77 db(A) at 6000 m ³ /h	331	10.0 (7.5 Kw)	14524128
	FAN NCF 120/15	575	15	85 db(A) at 10000 m ³ /h	355	15.0 (11 Kw)	14524228
	Fan NCF 120/25	575	19,4	82 db(A) at 8000 m ³ /h	511	20.0 (15 Kw)	14524328
	FAN NCF 160/25	575	24,0	84 db(A) at 10000 m ³ /h	644	24.8 (18.5 Kw)	14524428

NCF fans 60Hz

Accessory		Part No
	Inlet adap. D250 (10 in),30/15,40/25,50/25	14374438
	Inlet adapter d315 (12 in), 30/25	14374439
	Inlet adapter d400 (16 in), 80/20, 120/25	14374440
	Inlet adapter d500 (20 in), 120/15, 160/25	14374441
	Outl. adap.288 (11.3") x205 (8 in) d315 (12 in),30/15,40/25	14374442
	Outlet adapter 322 (12.6 in)x229 (9 in) d400 (16 in), 30/25	14374443
	Outl.adap.361 (14.2 in) x256 (10 in) d400 (16 in),80/20,120/25	14374444
	Outl.adap.453 (17.8 in) x322 (12.6 in) d500 (20 in),120/15,160/25	14374445
	Outl.adap.256 (10 in) x183 (7.2 in) d250 (10 in), 50/25,30/20	14374446
	Flex.inl.ad..d250 (10 in),30/15,40/25,50/25	14374447
	Flexible inlet adapter d315 (12 in), 30/25	14374448
	Flex.inlet.adap.d400 (16 in), 80/20, 120/25	14374449
	Flex.inlet.adap.d500 (20 in),120/15,160/25	14374450
	Flex.out.a.288 (11.3 in) x205 (8 in) d315 (12 in),30/15,40/25	14374451
	Flex.outlet adap.322 (12.6 in) x229 (9 in) d400 (16 in),30/25	14374452
	Flex.out.a.361 (14.2 in) x256 (10 in) d400 (16 in),80/20,120/25	14374453
	Flex.ou.a.453 (17.8 in) x322 (12.6 in) d500 (20 in),120/15,160/25	14374454
	Flex.ou.a.256 (10 in) x183 (7.2 in) d250 (10 in), 50/25,30/20	14374455
	Inl.guardnet d250,30/15,40/25,50/25	14374456
	Inlet guard net d315 (12 in), 30/25	14374457
	Inlet guard net d400 (16 in), 80/20, 120/25	14374458
	Inlet guard net d500 (20 in),120/15,160/25	14374459

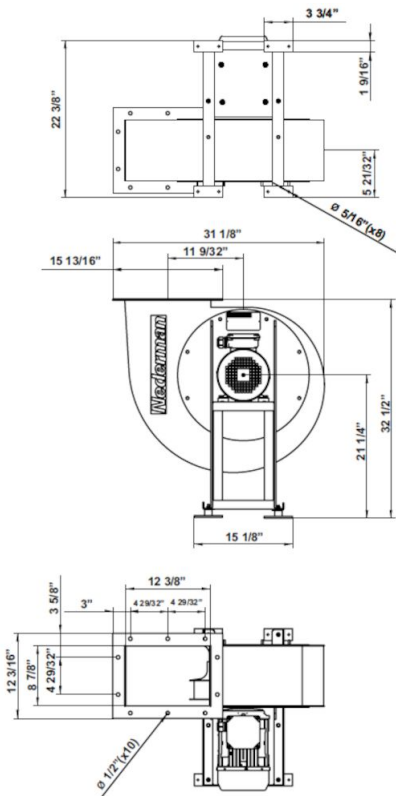
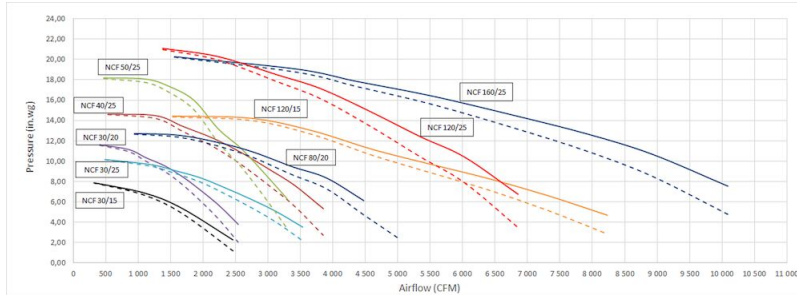
NCF fans 60Hz

	Accessory	Part No
	Outlet guard net, 30/15, 40/25	14374460
	Outlet guard net, 30/25	14374461
	Outlet guard net, 80/20, 120/25	14374462
	Outlet guard net, 120/15, 160/25	14374463
	Outlet guard net, 50/25	14374464
	Vibration absorber AM 30, 1 set	14374628
	Vibration absorber AM 25, 1 set	14374629
	Vibration absorber AM 50, 1 set	14374630
	Inlet adapter d250 (10 in), 30/20	14375076
	Fan starter 5,5kW (2,2 - 5,5 kW motor power)	14514837
	Fan starter 11kW (4,0 - 11,0 kW motor power)	14514937
	Fan starter 18,5kW (15,0 - 18,5 kW motor power)	14515037
	Fan starter 22kW (18,5 - 22,0 kW motor power)	14515537
	Fan Inverter for 5,5 kW motor power	14522037*
	Fan Inverter for 7,5 kW motor power	14522137**
	Fan Inverter for 11 kW motor power	14522237**
	Fan Inverter for 15 kW motor power	14522637**
	Fan Inverter for 18,5 kW motor power	14525137**
	Fan Inverter for 22 kW motor power	14525237**

*Pressure sensor 2000 Pa

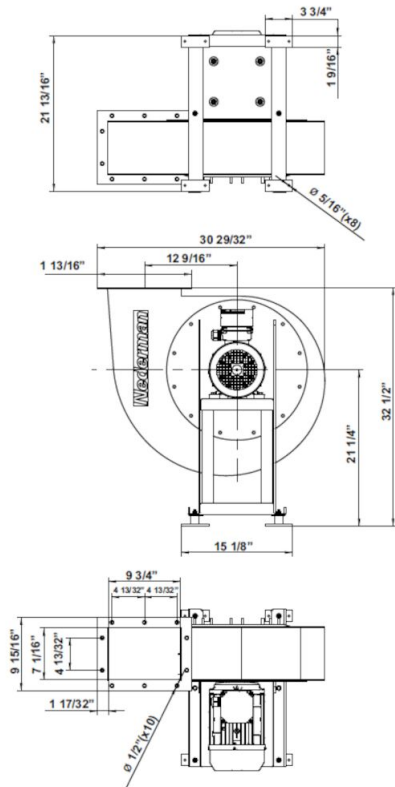
**Pressure sensor 5000 Pa

NCF fans 60Hz



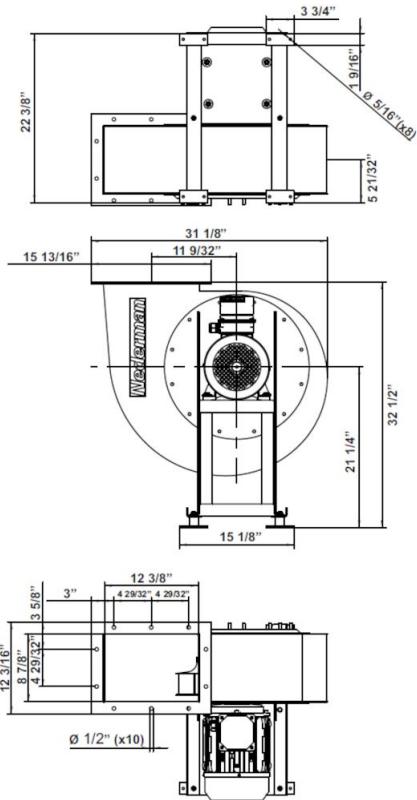
Dimensions Fan NCF 30/15

NCF fans 60Hz



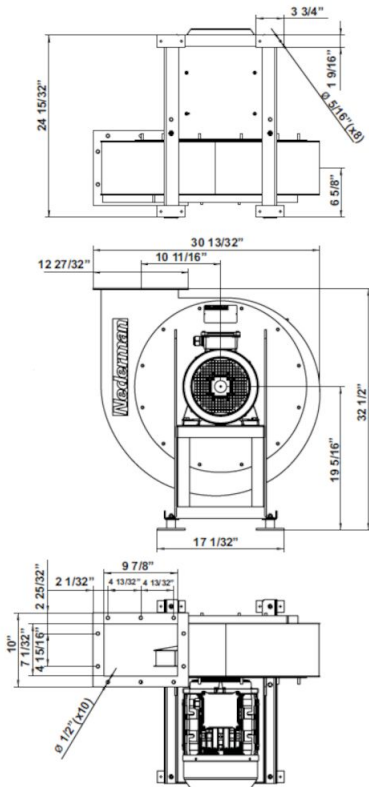
Dimensions Fan NCF 30/20

NCF fans 60Hz



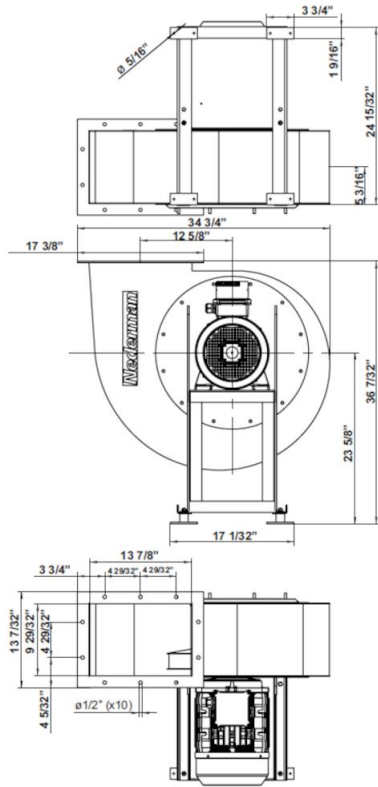
Dimensions Fan NCF 30/25

NCF fans 60Hz



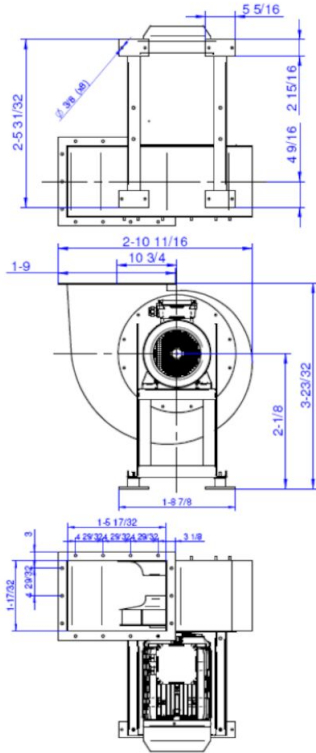
Dimensions Fan NCF 50/25

NCF fans 60Hz



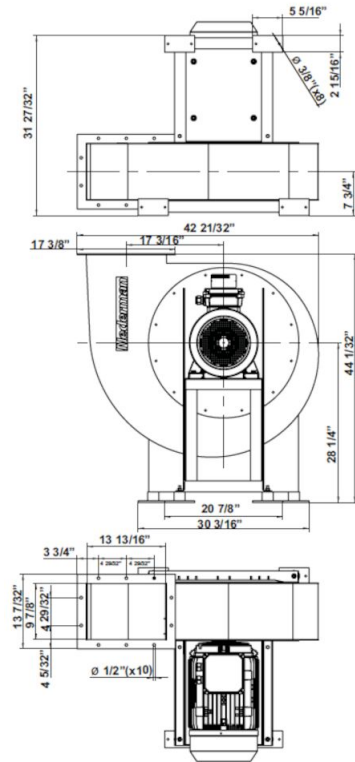
Dimensions Fan NCF 80/20

NCF fans 60Hz



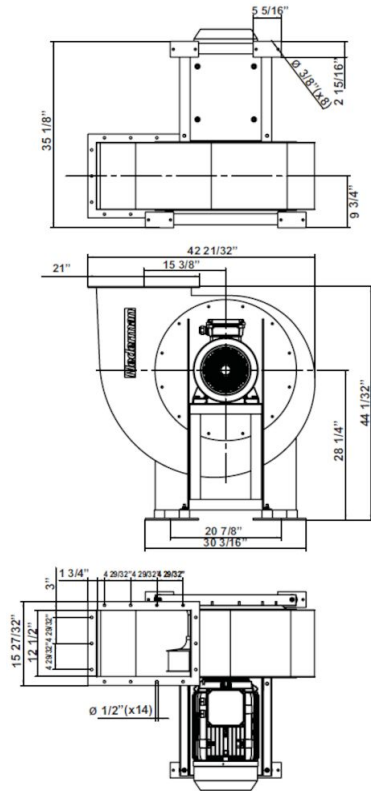
Dimensions Fan NCF 120/15

NCF fans 60Hz



Dimensions Fan NCF 120/25

NCF fans 60Hz



Dimensions Fan NCF 160/25