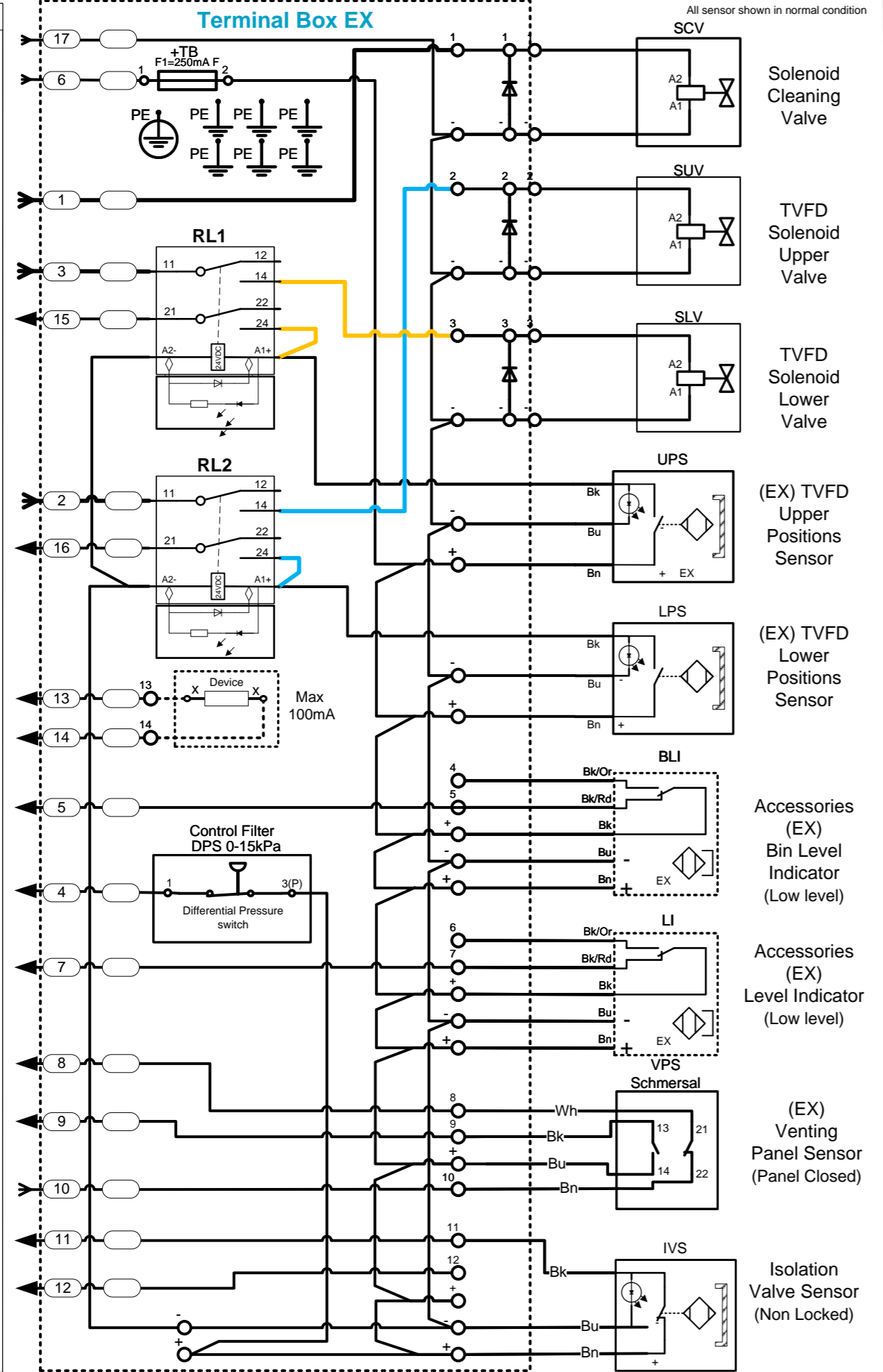
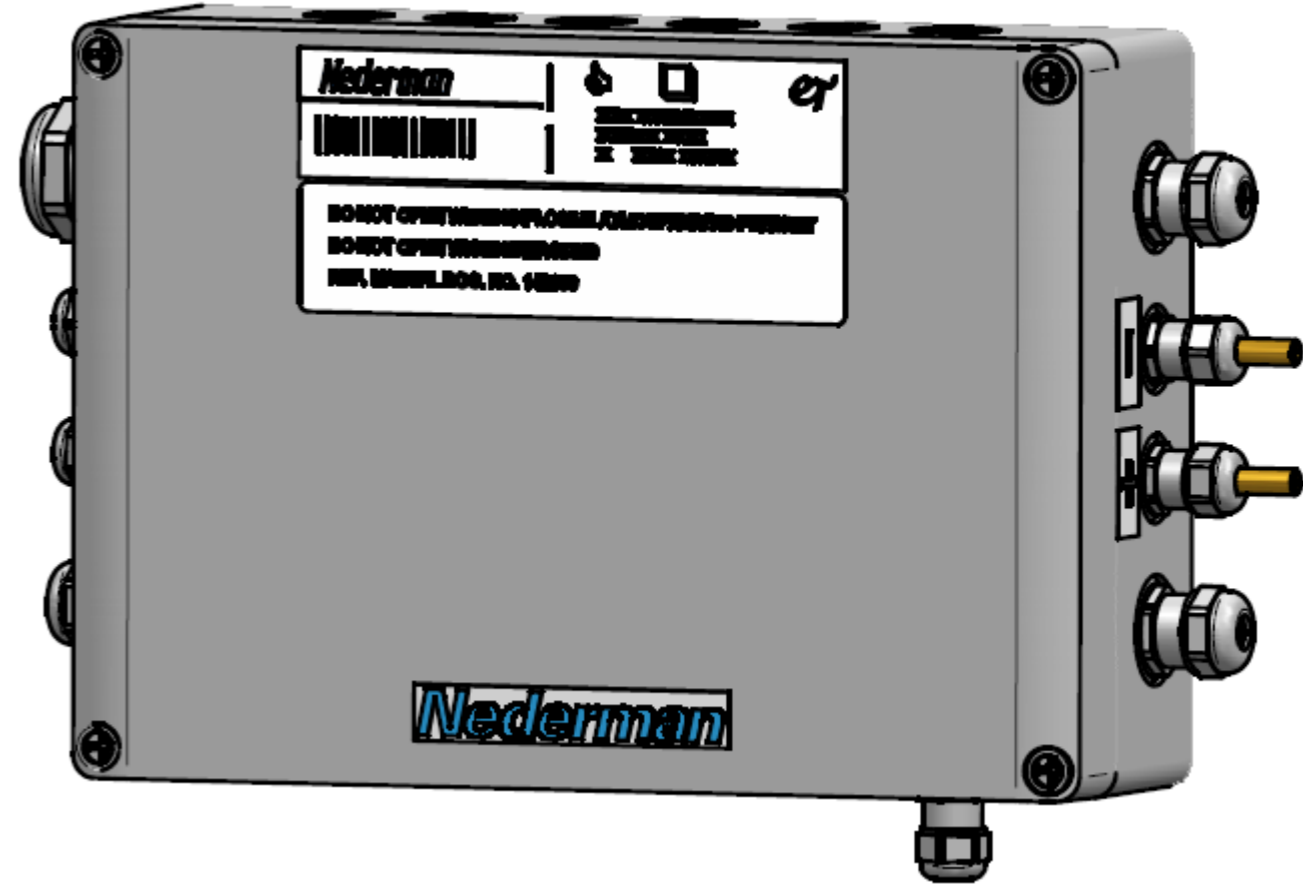


FlexVac	HVCP
X1:6 / 0VDC	X1:142 / 0V
X1:7 / +24VDC F1= 50mA F	X1:141 / +24VDC
SCV Clean X1:5	SCV Filter Clean Valve X1:41/43/85/91/ 125/127/179/181/ 183/185
AEB / TVFD lower valve X1:51	SLV X1:53/121/173/ 177
TVFD UPS X1:2	UPS X1:66/102/106/ 152/156
TVFD upper valve X1:75	SUV X1:51/119/171/ 175
TVFD LPS X1:8	LPS X1:56/104/116/ 154/158
Spare	Spare
Spare	Spare
Bin level indicator X1:47	BLI input signal X1:59
Control filter pressure switch/ sensor X1:50	Control Filter input signal X1:66/114/164/ 166
N/A	LI input signal X1:46
Venting panel sensor X1:83	E-Stop to HV Panel X1:12/14/22/24
Fire alarm / Venting panel sensor X1:43	RPS Recognition X1:110/112/160/ 162
Venting panel sensor X1:84	E-Stop out from HV Panel X1:11/13/21/23
CAS / EIVS X1:16	Non Locked Isol. valve X1:108/166
Spare	Spare



# High Vacuum Control Panel

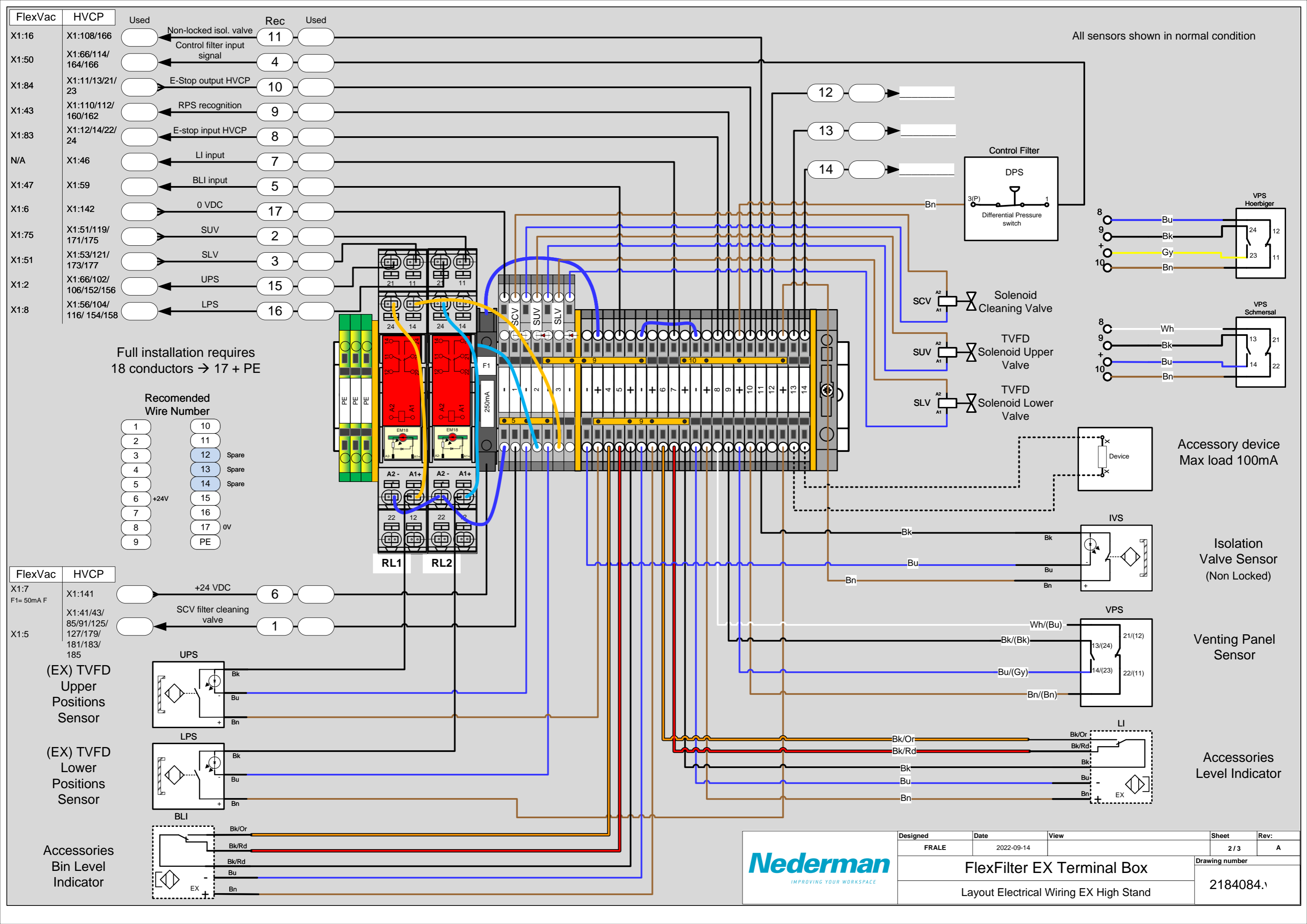
## Electrical Wiring Diagram And Connection Notes



Designed	Date	View	Sheet	Rev:
FRALE	2022-09-14		1 / 3	A
FlexFilter EX Terminal Box			Drawing number	
Electrical Wiring Diagram EX High Stand			2184084.vsd	

Designed	Date	View	Sheet	Rev:
FRALE	2022-09-14		1 / 3	A
FlexFilter EX Terminal Box			Drawing number	
Electrical Wiring Diagram EX High Stand			2184084.v	





All sensors shown in normal condition

FlexVac	HVCP	Used	Rec	Used
X1:16	X1:108/166	Non-locked isol. valve	11	
X1:50	X1:66/114/164/166	Control filter input signal	4	
X1:84	X1:11/13/21/23	E-Stop output HVCP	10	
X1:43	X1:110/112/160/162	RPS recognition	9	
X1:83	X1:12/14/22/24	E-stop input HVCP	8	
N/A	X1:46	LI input	7	
X1:47	X1:59	BLI input	5	
X1:6	X1:142	0 VDC	17	
X1:75	X1:51/119/171/175	SUV	2	
X1:51	X1:53/121/173/177	SLV	3	
X1:2	X1:66/102/106/152/156	UPS	15	
X1:8	X1:56/104/116/154/158	LPS	16	

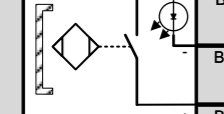
Full installation requires 18 conductors → 17 + PE

Recommended Wire Number

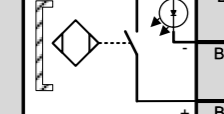
- |   |    |       |
|---|----|-------|
| 1 | 10 |       |
| 2 | 11 |       |
| 3 | 12 | Spare |
| 4 | 13 | Spare |
| 5 | 14 | Spare |
| 6 | 15 | +24V  |
| 7 | 16 |       |
| 8 | 17 | 0V    |
| 9 | PE |       |

FlexVac	HVCP	Used	Rec	Used
X1:7 F1= 50mA F	X1:141	+24 VDC	6	
X1:5	X1:41/43/85/91/125/127/179/181/183/185	SCV filter cleaning valve	1	

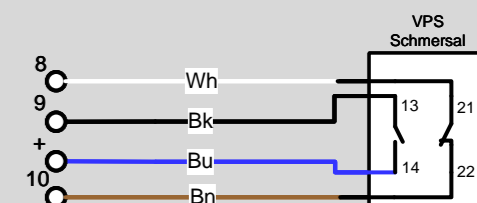
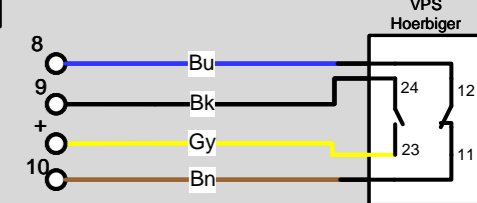
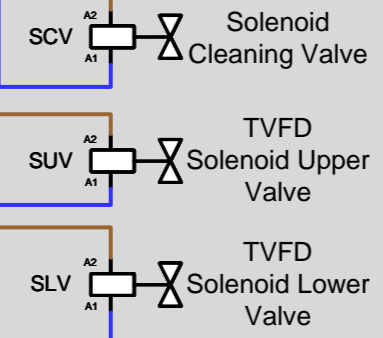
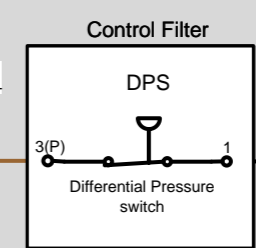
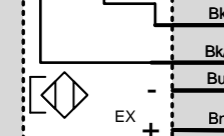
UPS



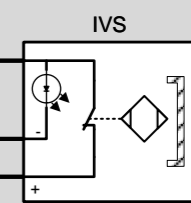
LPS



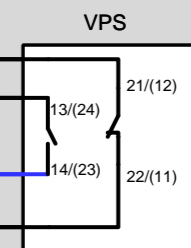
BLI



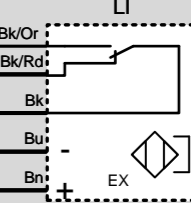
Accessory device  
Max load 100mA



Isolation Valve Sensor  
(Non Locked)




Venting Panel Sensor



Accessories Level Indicator

Designed	Date	View	Sheet	Rev:
FRALE	2022-09-14		2 / 3	A
<b>FlexFilter EX Terminal Box</b>			Drawing number	
Layout Electrical Wiring EX High Stand			2184084.1	

Revision	Notes	Edited by	Date
A	Flexvac column is added, SCV Filter Clean Valve X1:41/43/51/53/82/87/119/121/171/173 is changed to X1:41/43/85/91/125/127/179/181/183/185, UPS X1:102/106/152/156 is changed to X1:66/102/106/152/156 and LPS X1:104/116/154/158 is changed to X1:56/104/116/ 154/158	10772	2022-09-02

 <small>IMPROVING YOUR WORKSPACE</small>	Designed	Date	View	Sheet	Rev
	Tommy Olsson	2022-09-14		3 / 3	A
	FlexFilter EX Terminal Box			Drawing number	
Revision notes			2184084.vsd		