

Air driven series

**710A - NE74, S200**

42171000

---

**Original manual**

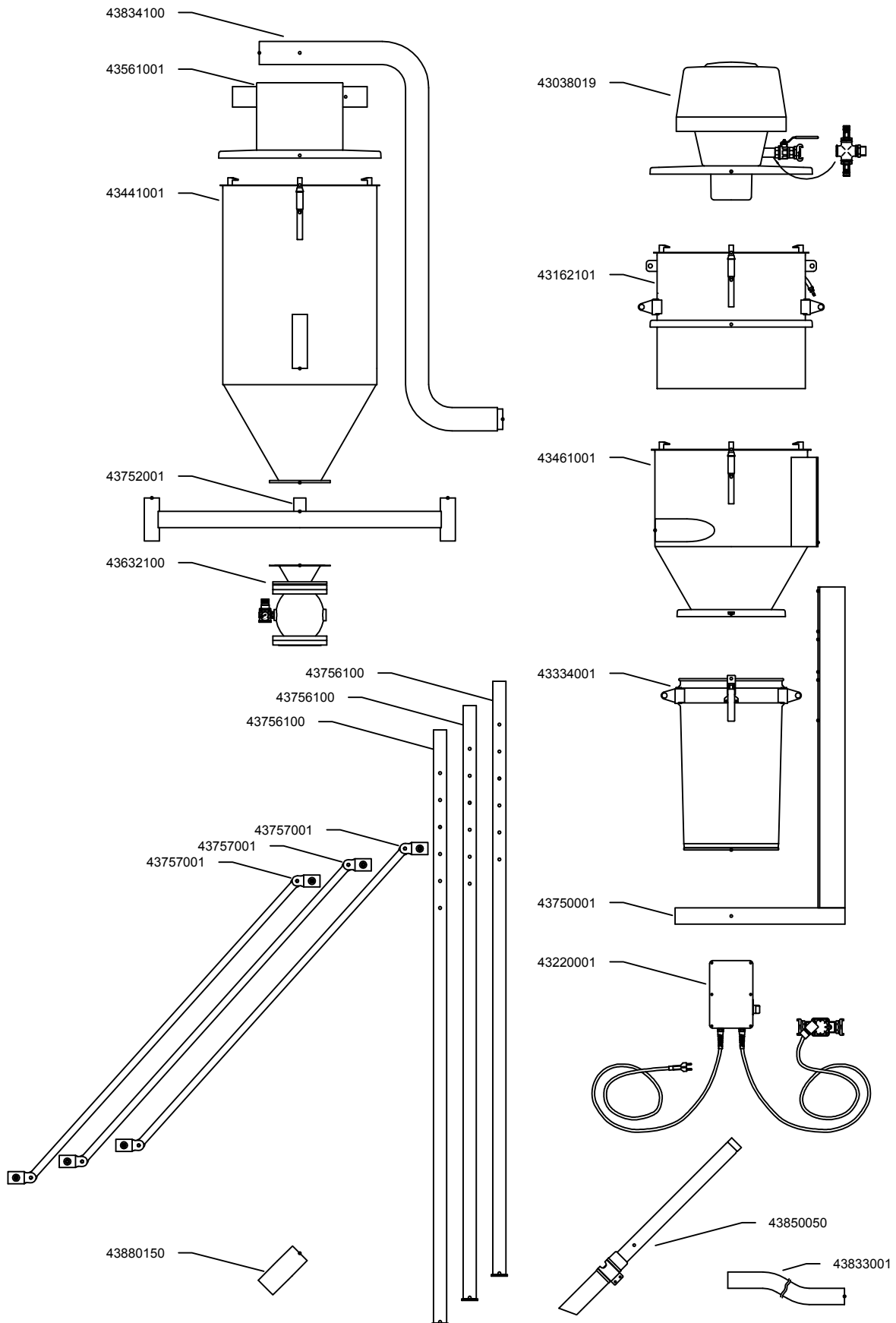
EN MODEL SPECIFICATION AND SPARE PARTS

## Model Specification

**Description:** 710A – NE74, S200

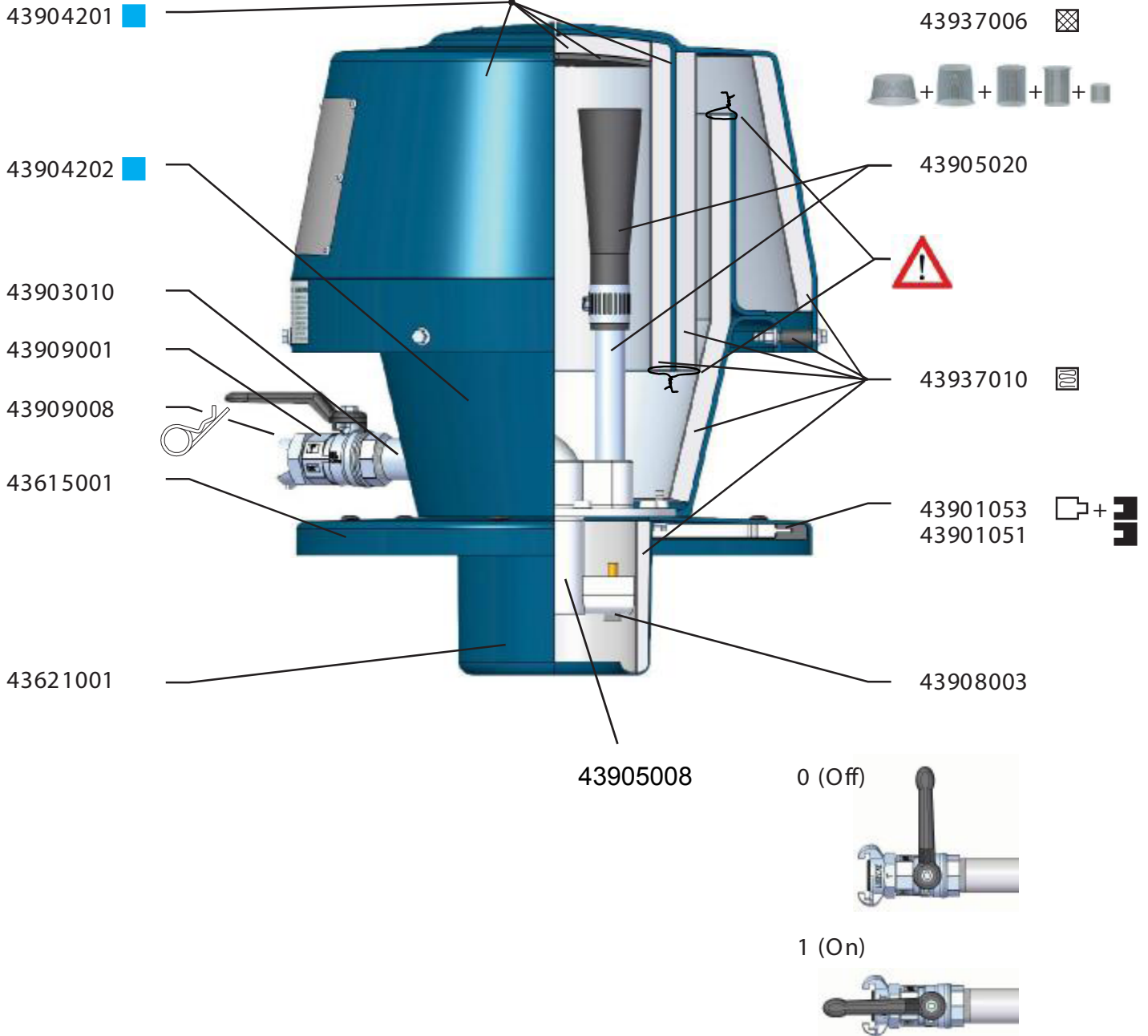
**Model:** 42171000

Code no.	Description	Qty.	Page
43038019	NE74, S200 w/2 q.coupl	1	4
43162101	NCF3.15-I S200 Vyon F	1	6
43220001	Control system f/NE22/76	1	7
43334001	Container S50 67l w/ecc fastners	1	8
43441001	Silo S200 f/leg wo/inlet	1	9
43461001	Silo S200 f/wall/container	1	10
43561001	Coarse grain sep S200 d76/76	1	11
43752001	Triangular frame f/silo S200	1	-
43756100	Leg straight L=2200mm	3	-
43757001	Stay-tube w/2 brackets f/legs	3	-
43632100	Pinch valve DN80	1	12
43750001	Frame f/silo S200	1	-
43850050	Gulper head d63	1	-
43880150	Hose joint d76	1	-
43834100	Suction hose PU d76 L=5m	1	-
43833001	Suction hose PU d63 L=10m	1	-





MAX 8 bar

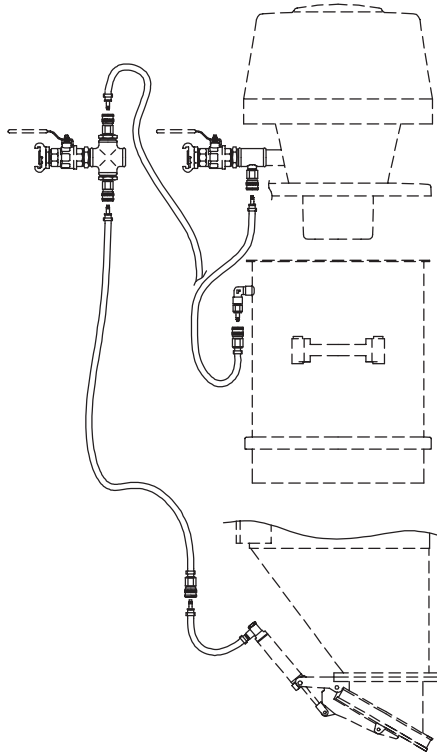
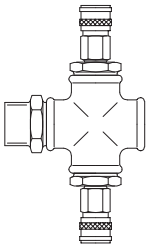




MAX 8 bar

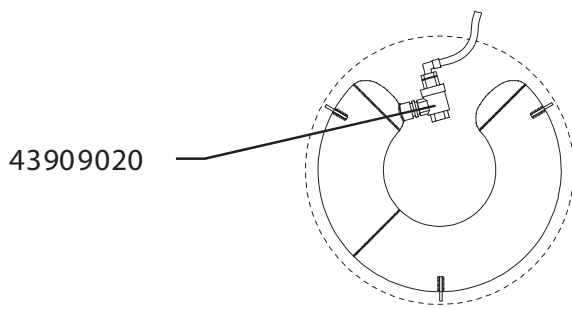
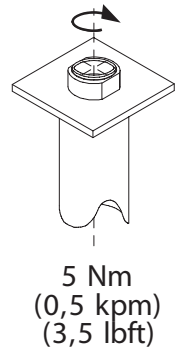
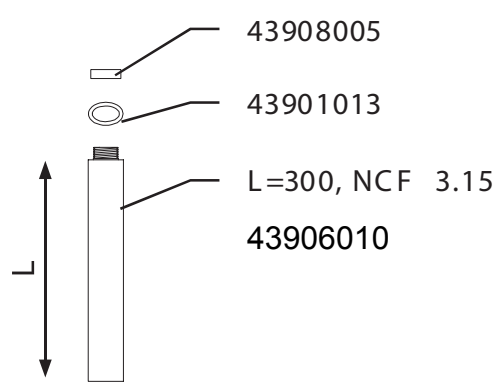
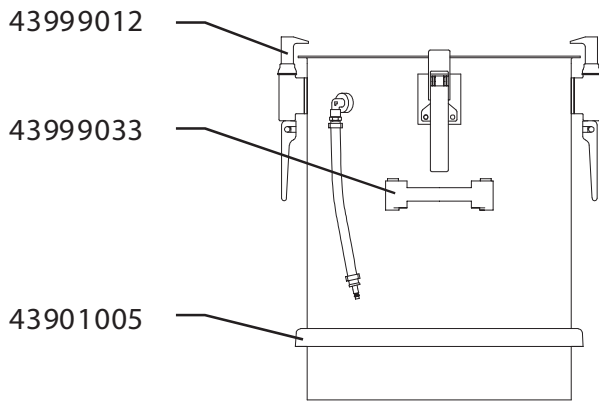


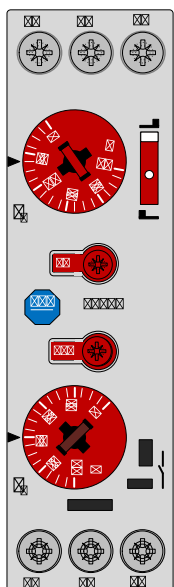
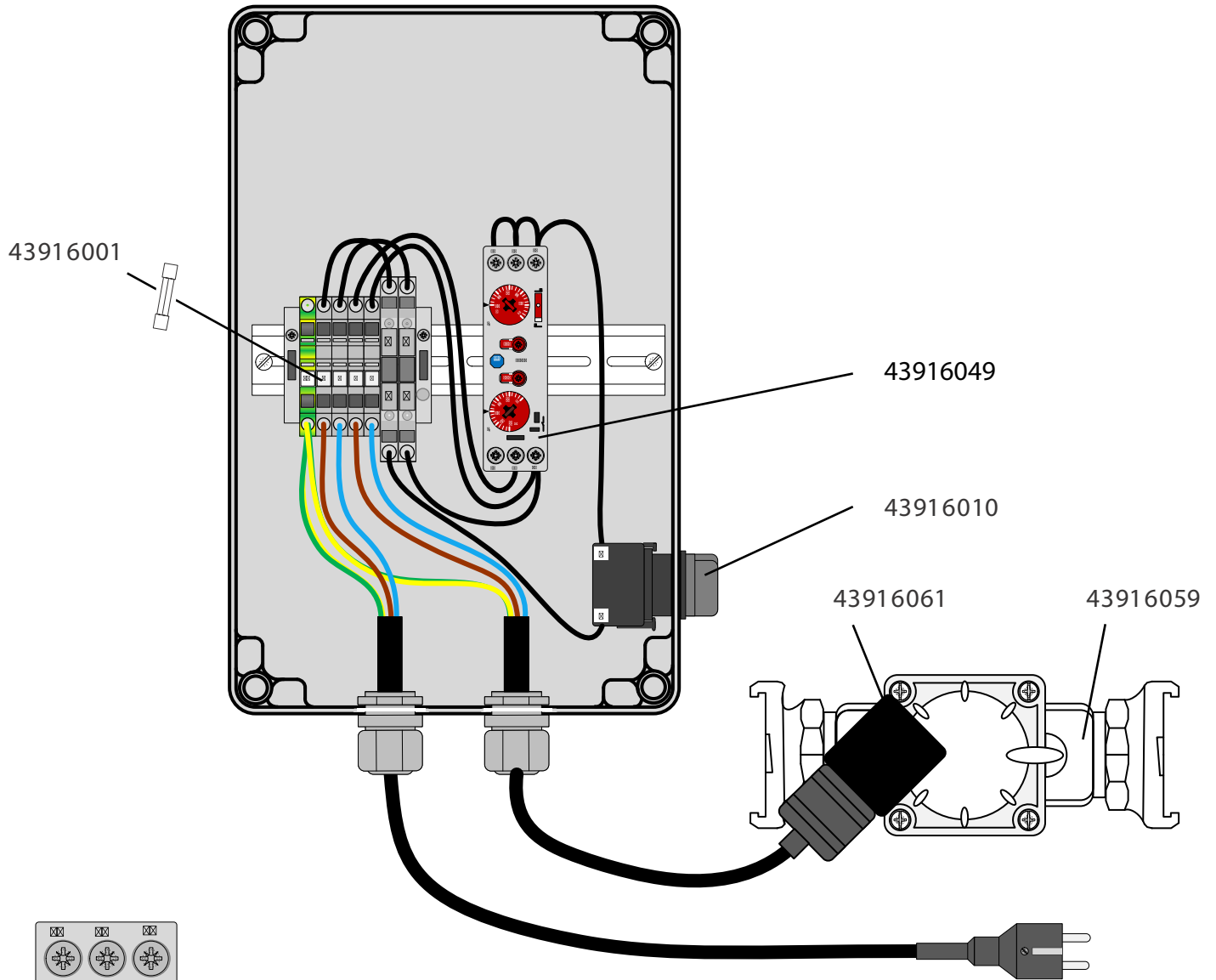
□ 43214100



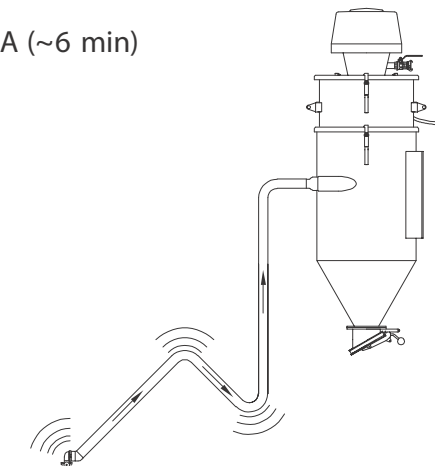


MAX 8 bar

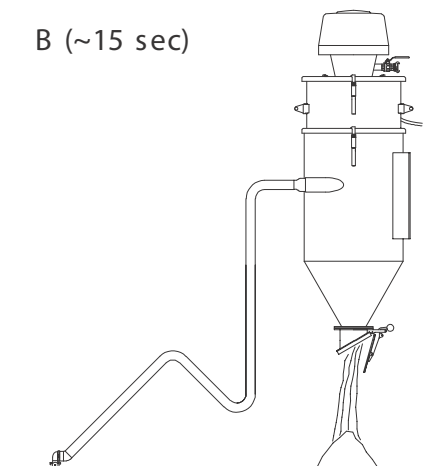




A (~6 min)




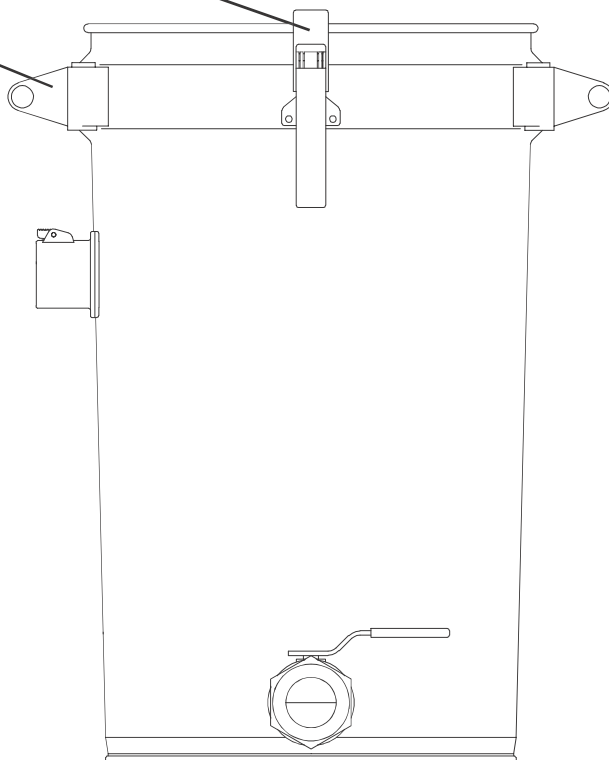
B (~15 sec)





43999021

43999531 

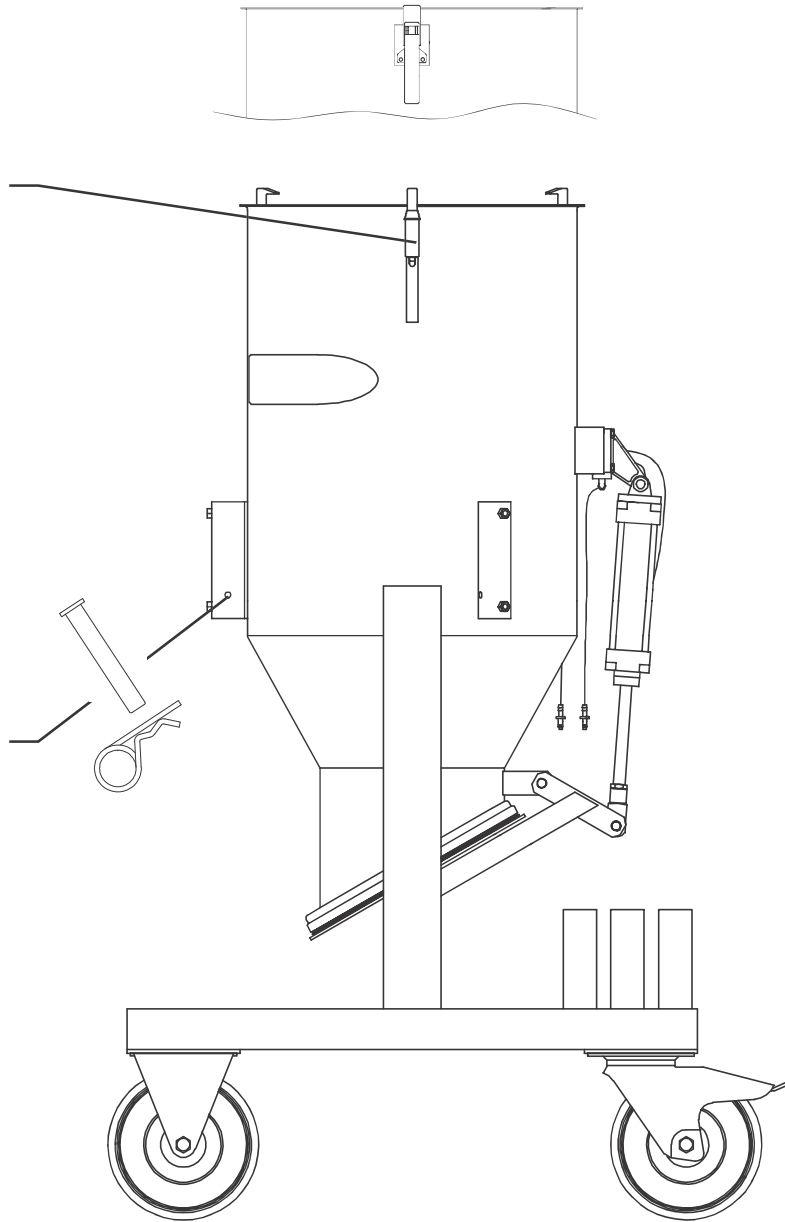






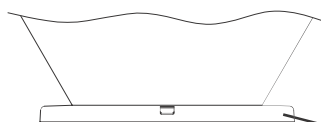
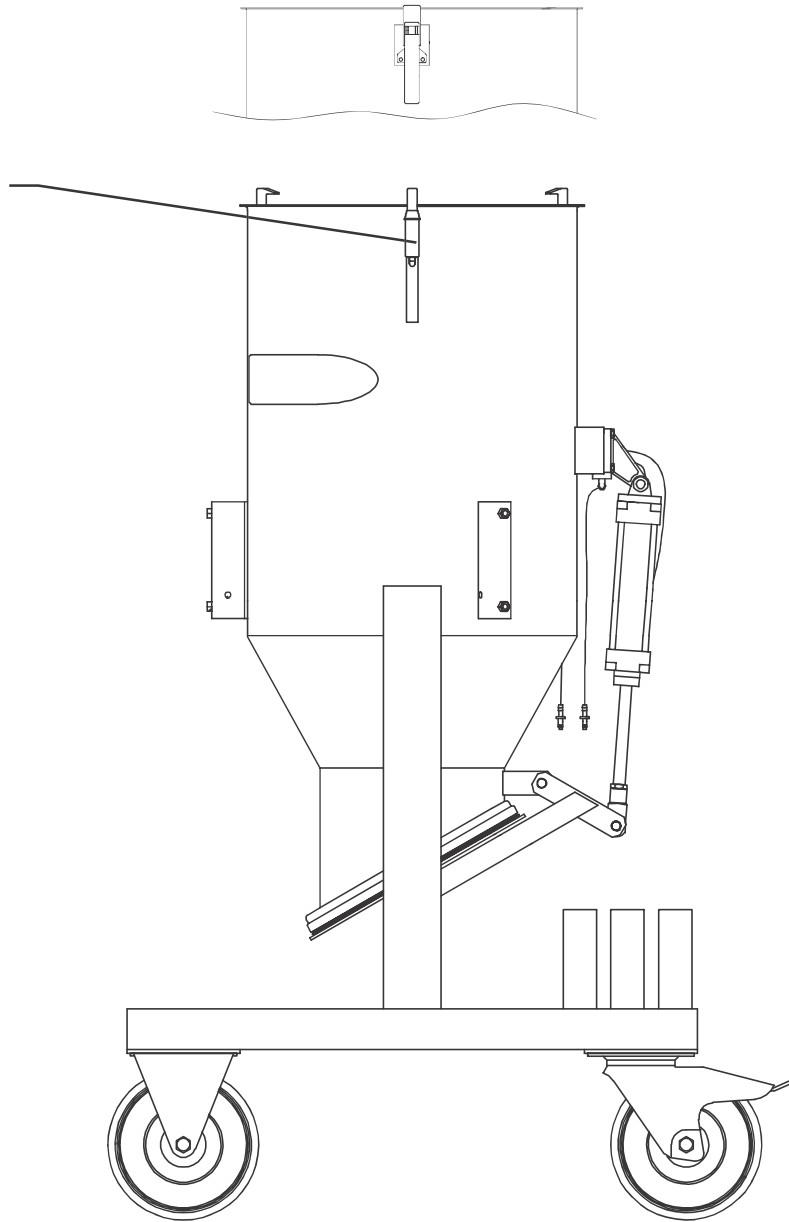
43999012


43908006





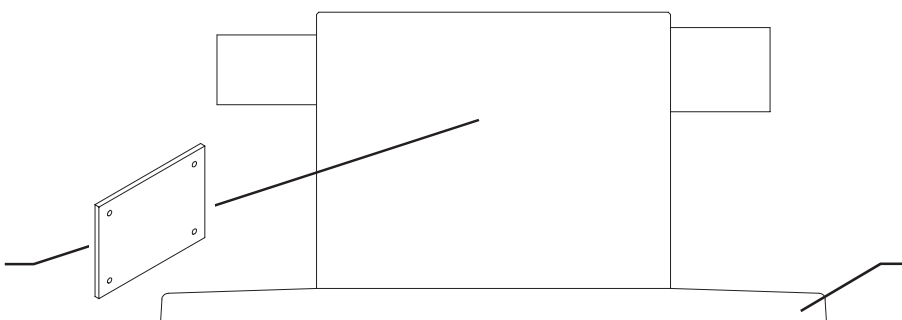
43999012



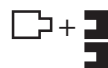
43901052   
43901050



43901070



43901053  
43901051





MAX 1.5 bar

