

Air driven series

722A - NE96, S200

42172200

Original manual

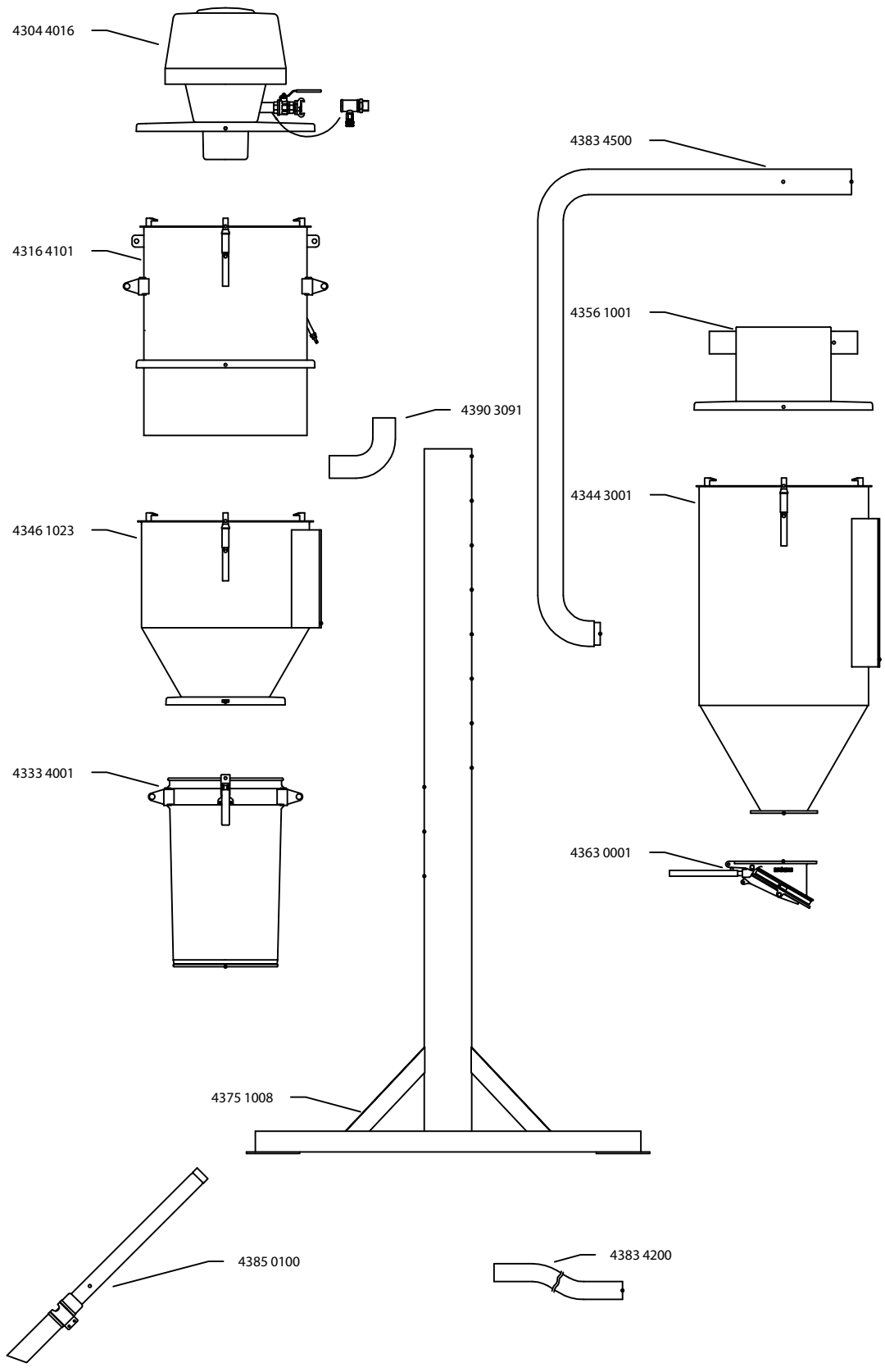
EN MODEL SPECIFICATION AND SPARE PARTS

Model Specification

Description: 722A - NE96, S200

Model: 42172200

Code no.	Description	Qty.	Page
43044016	NE96, S200 w/1 q.coupl	1	4
43164101	NCF5,25-I S200 Vyon F	1	5
43334001	Container S50 67l w/ecc fastners	1	6
43443001	Silo S200 f/wall wo/inlet	1	7
43461023	Silo S200 f/wall/container	1	8
43561001	Coarse grain sep S200 d76/76	1	9
43630001	Discharge valve manual	1	10
43751008	Frame S200	1	-
43834200	Suction hose PU d76 L=10m	1	-
43834500	Suction hose PU d76 L=2,5m	1	-
43850100	Gulper head d76	1	-
43903091	Bend d76 f/d76 inlet	1	-

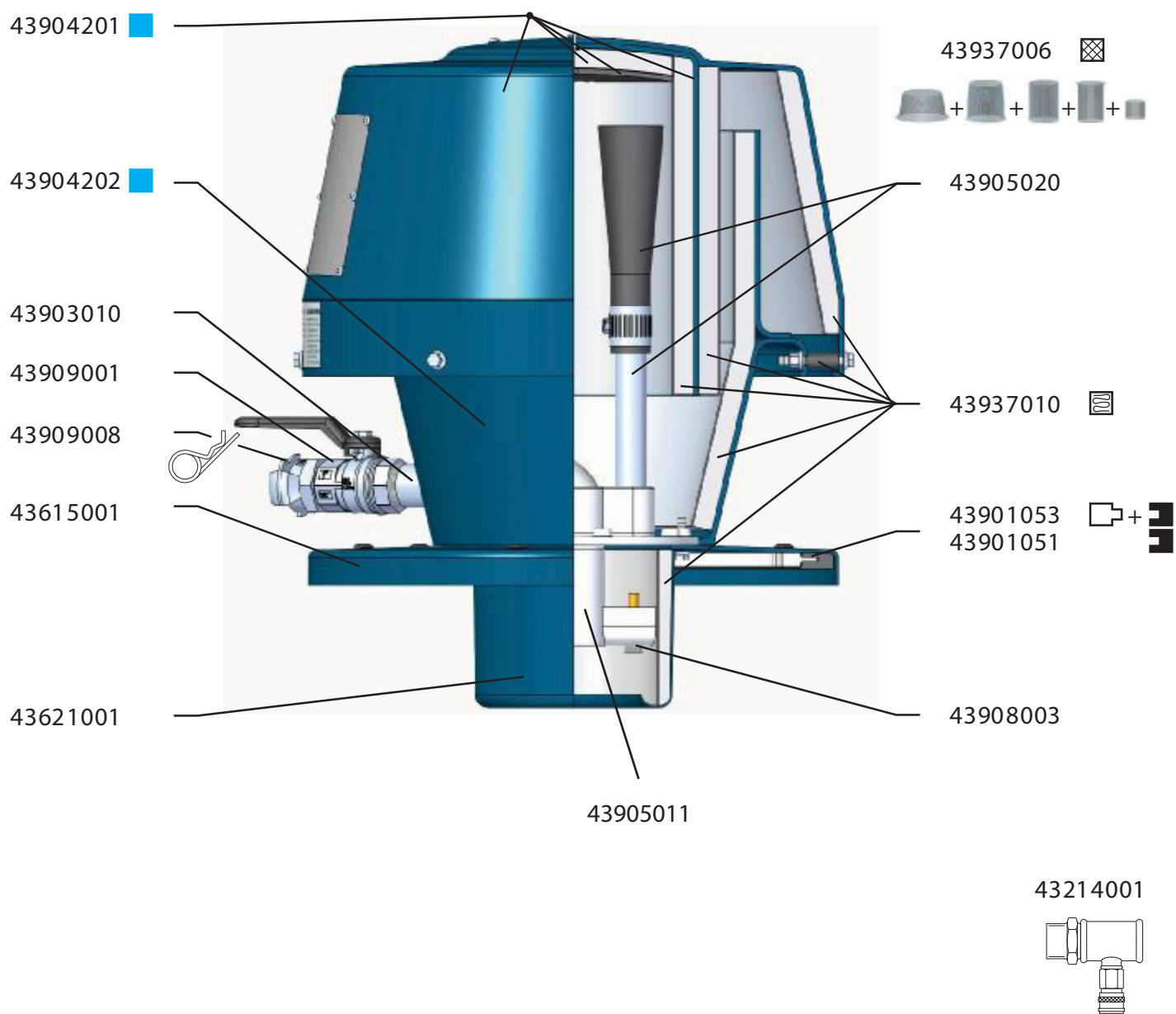




MAX 8 bar

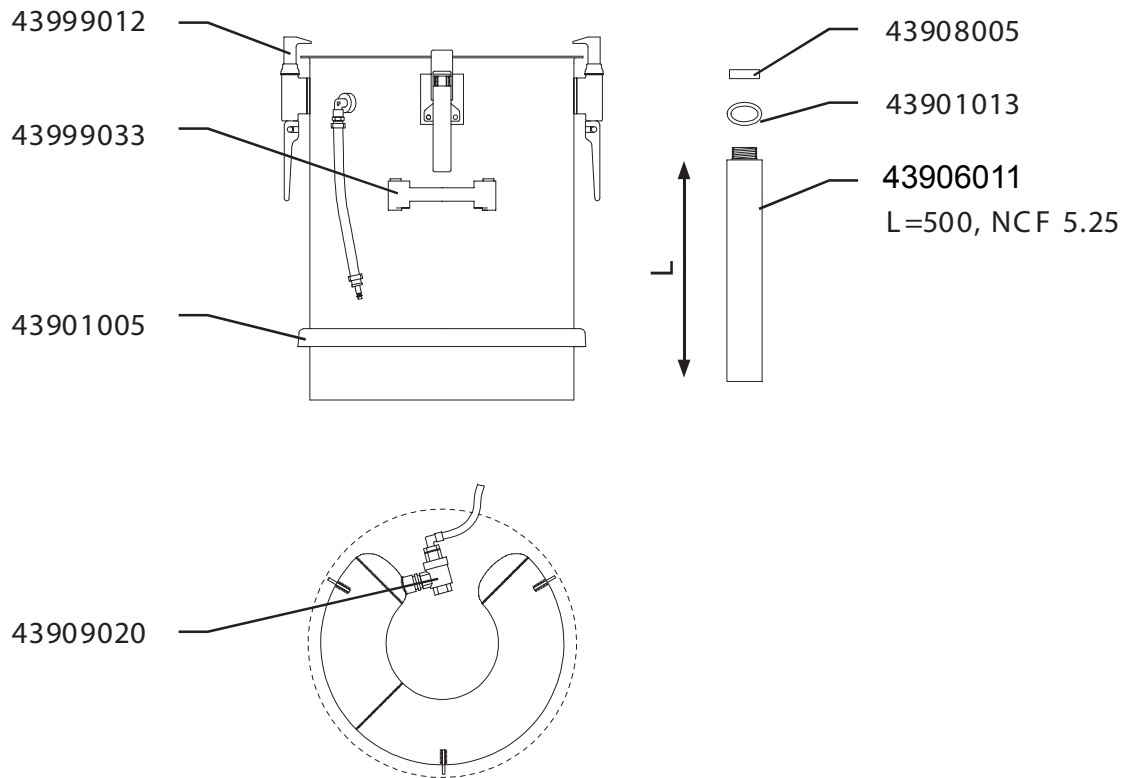


S 235JR (St37.2)





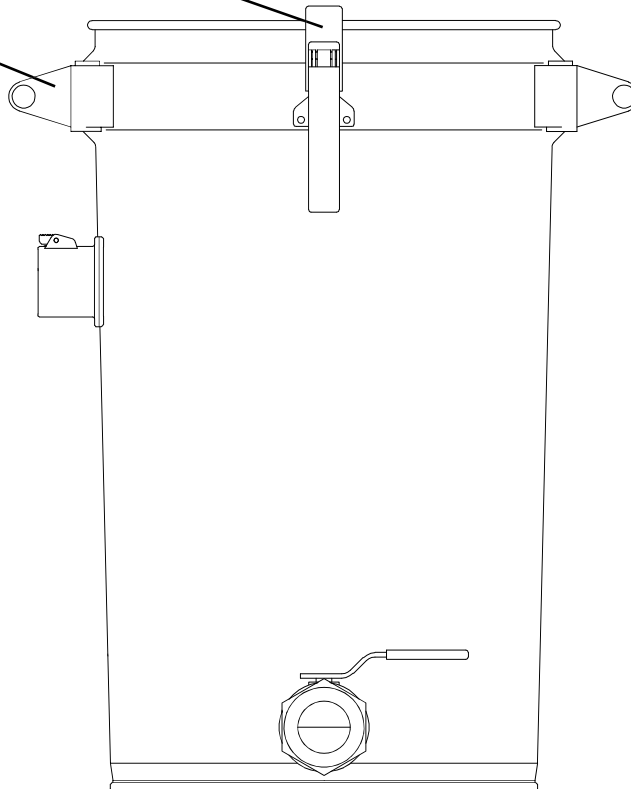
MAX 8 bar

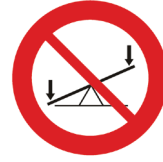




43999021

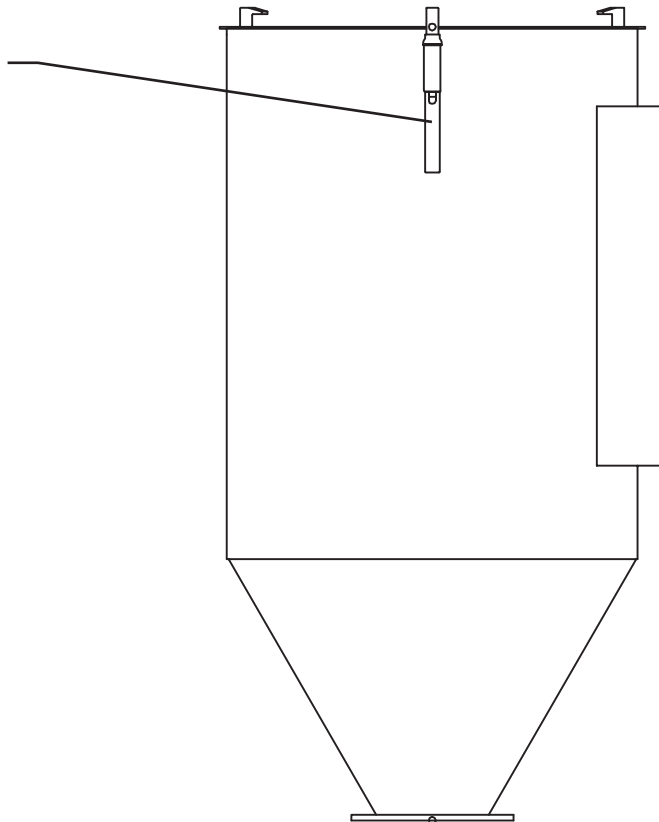
43999031





S235JR(St37.2)

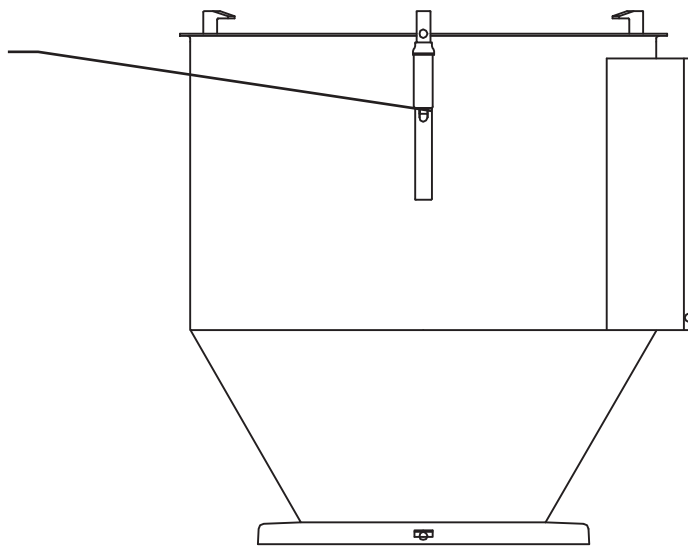
43999012





S235JR(St37.2)

43999012





S 235JR (St 37.2)

