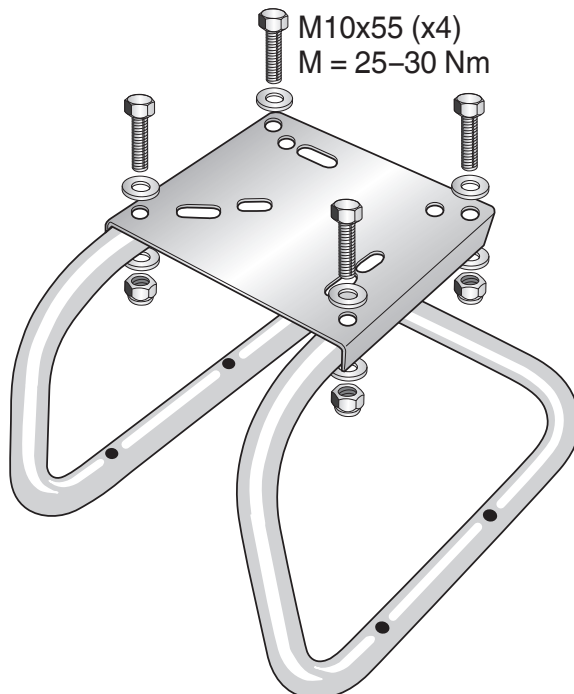


Mounting instruction

1

Fit the mounting plate to the fan stand.



2

Fit the fan to the fan stand.

