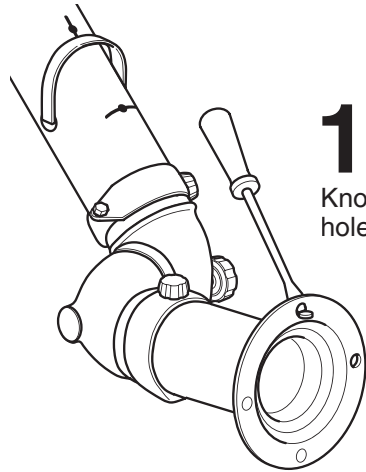


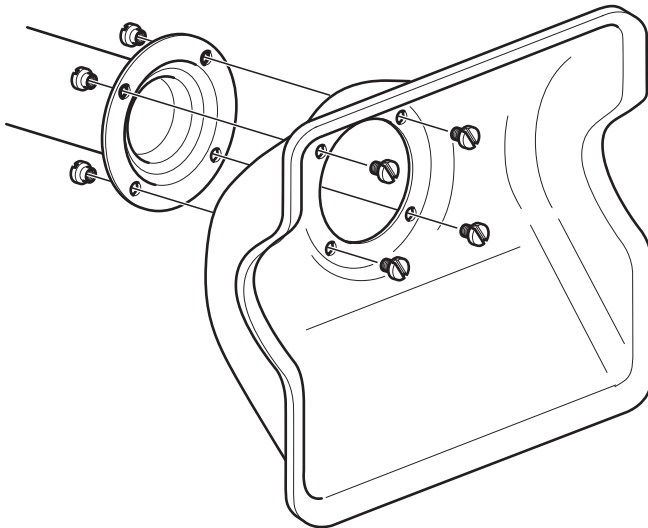
Mounting and user instruction

No. 148785/01
Date 2007-02-22

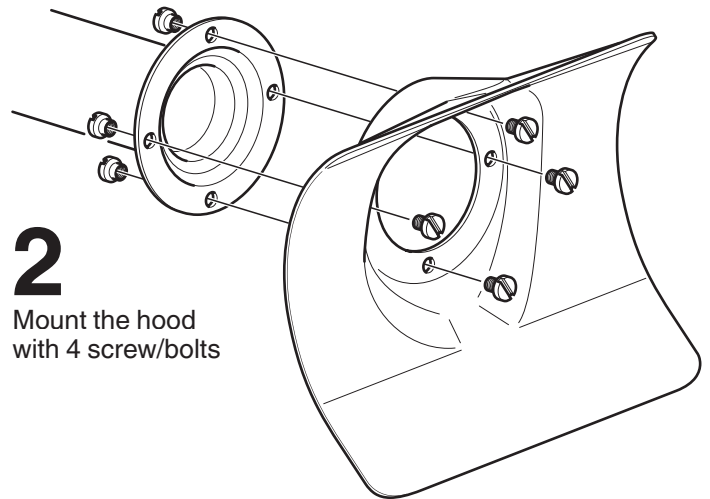


1
Knock-out
holes (x4)

Combi hood

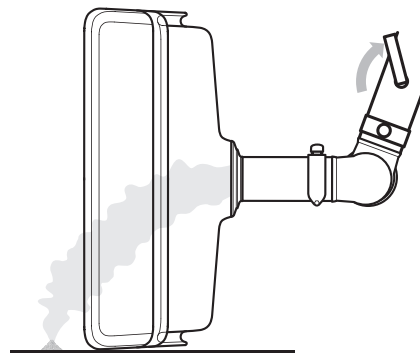
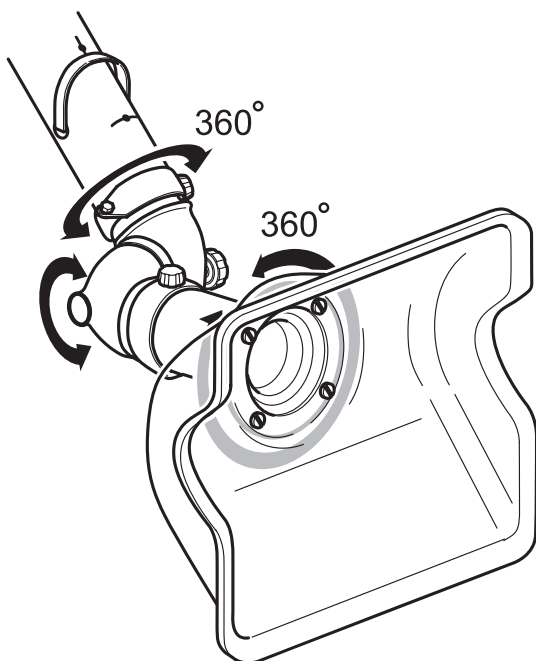


Flange hood

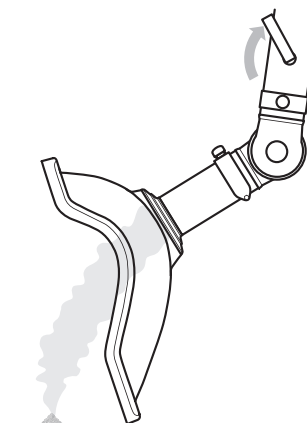


2
Mount the hood
with 4 screw/bolts

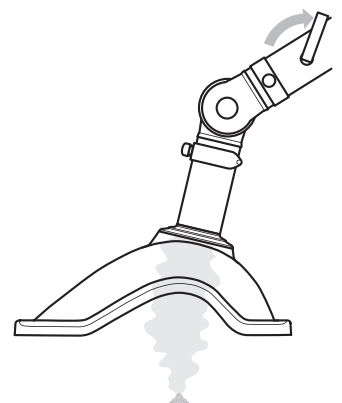
Hood positioning



Alternative 1



Alternative 2



Alternative 3