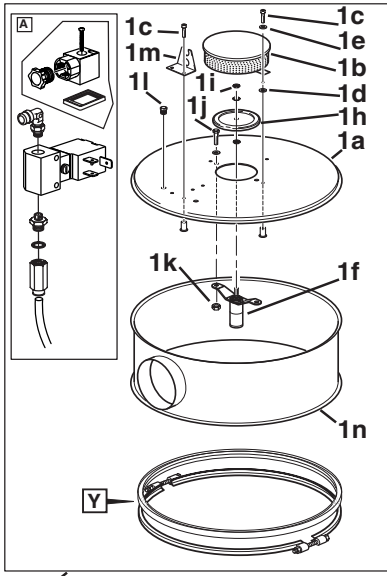
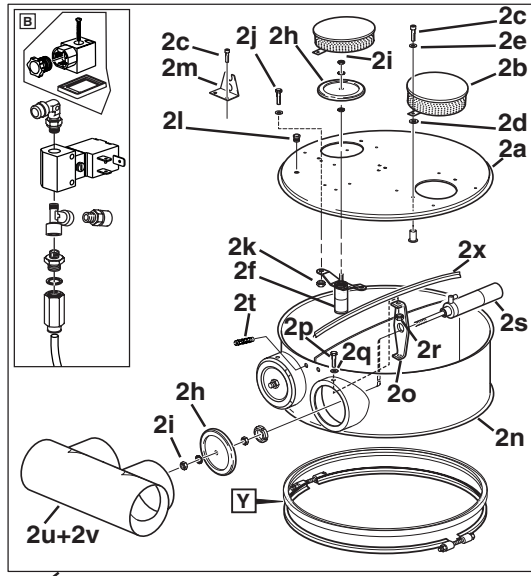


FlexFilter

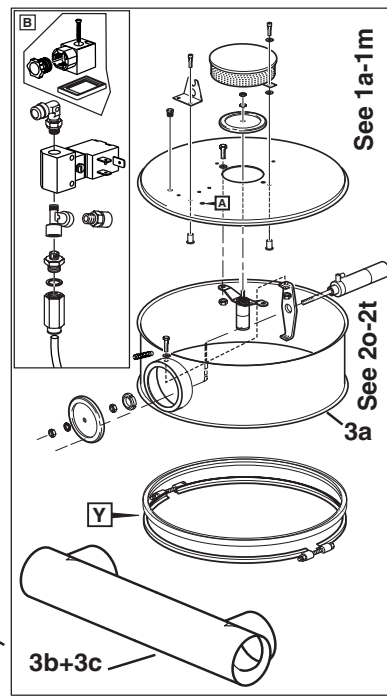
Resevdelslista - Spare Parts List - Ersatzteilliste
Liste de pieces detachées - Lista de recambios



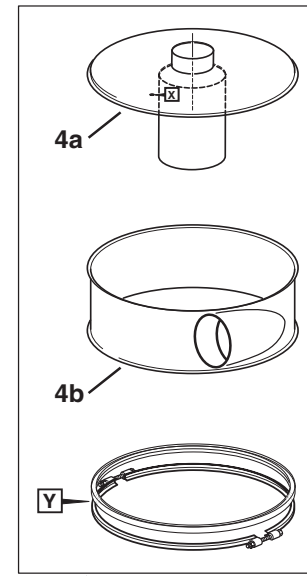
1



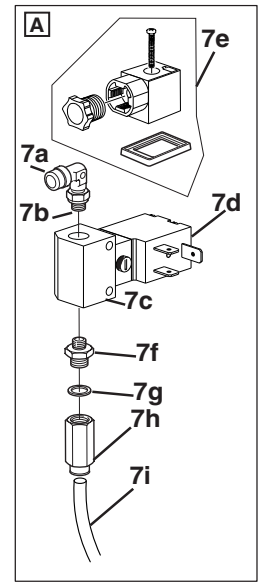
2



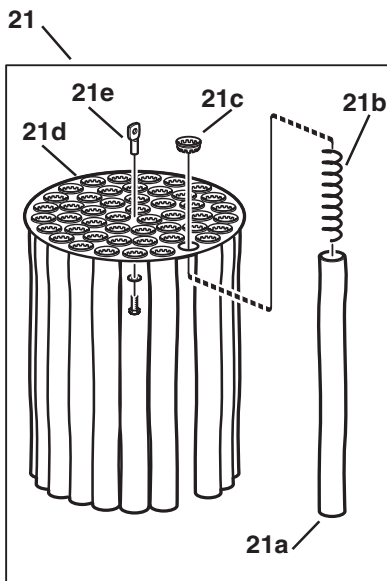
3



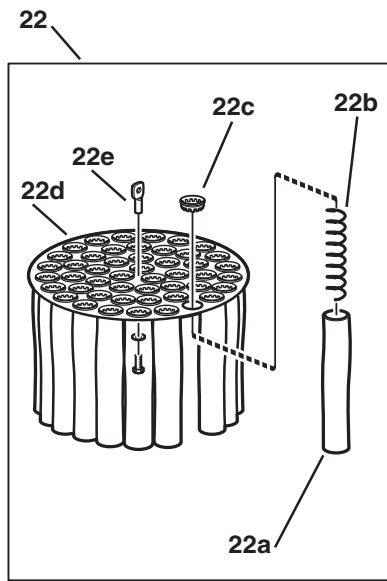
4



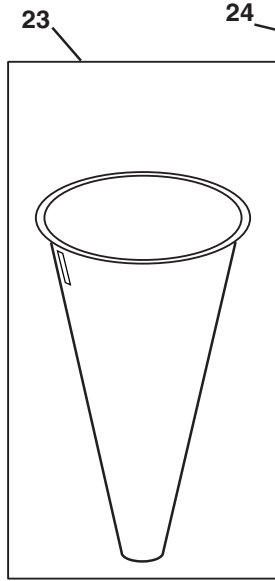
9



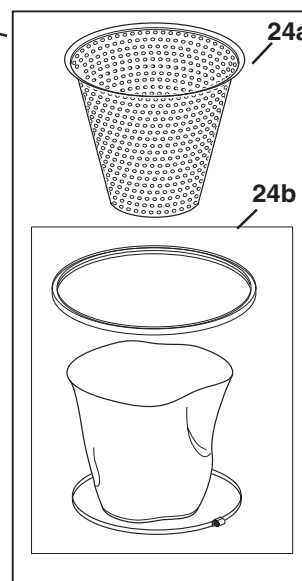
21



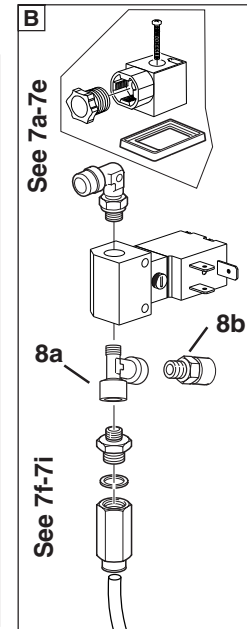
22



23

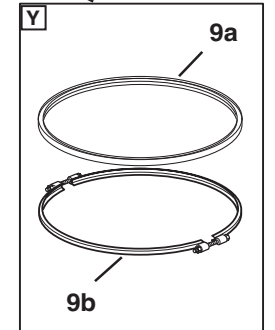


24

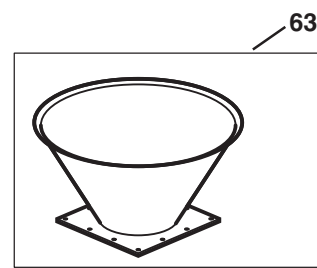
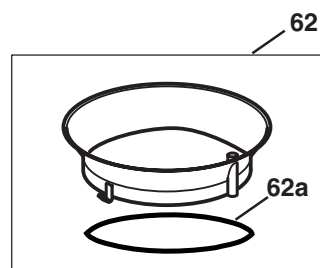
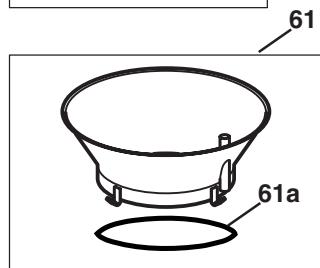
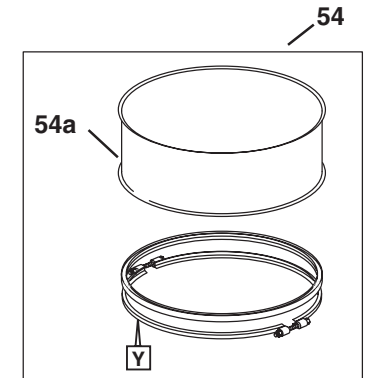
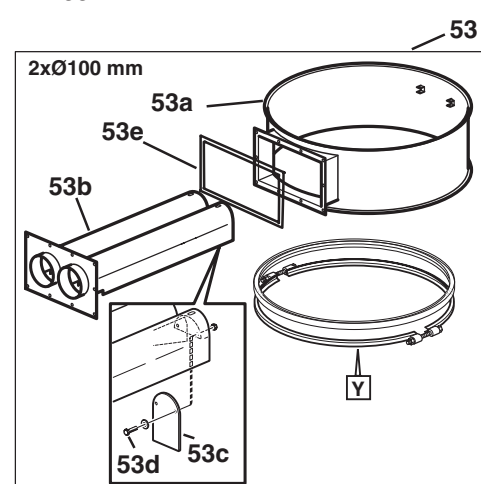
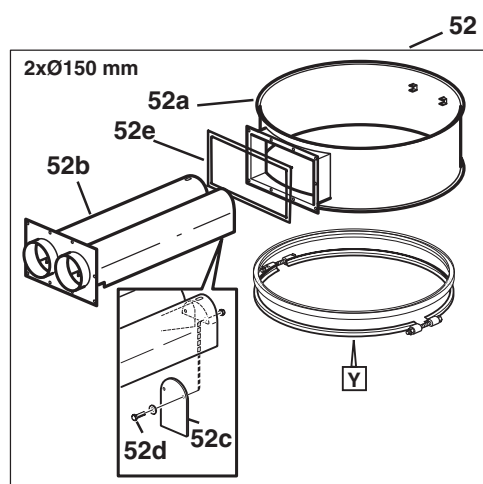
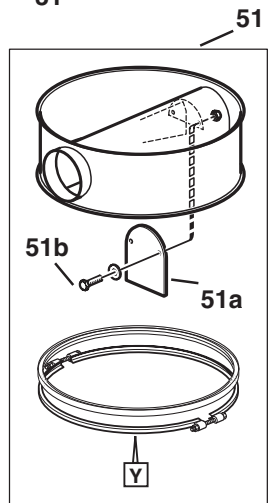
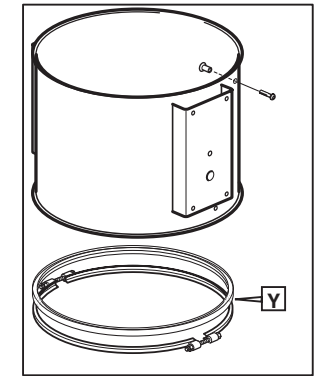
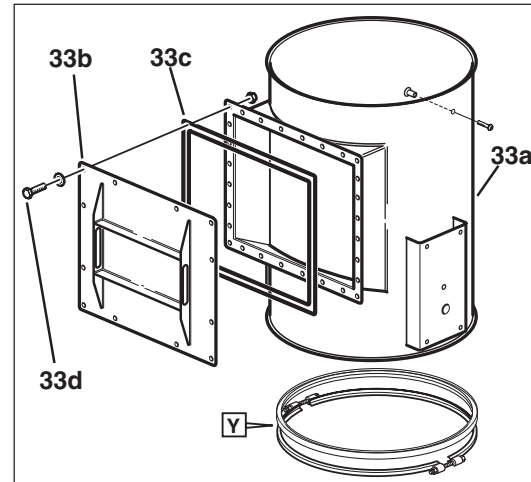
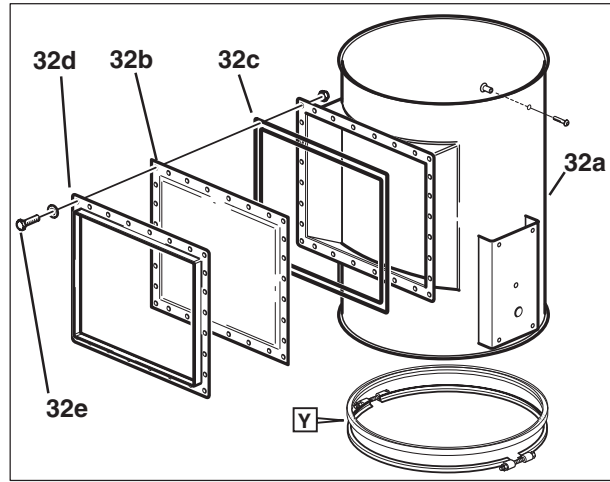
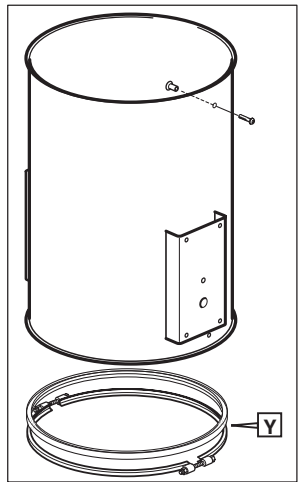


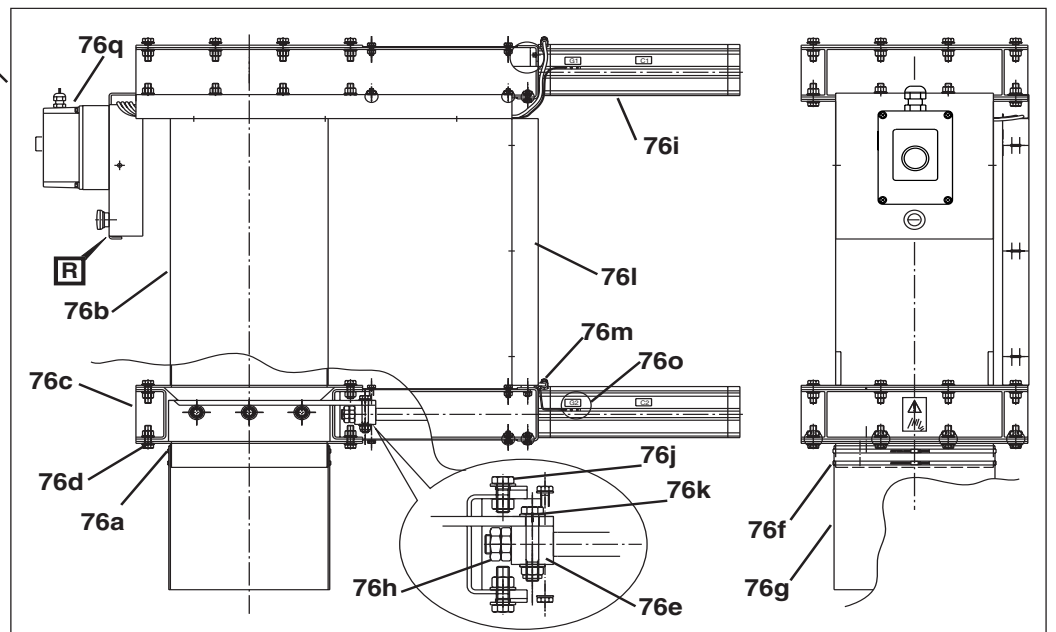
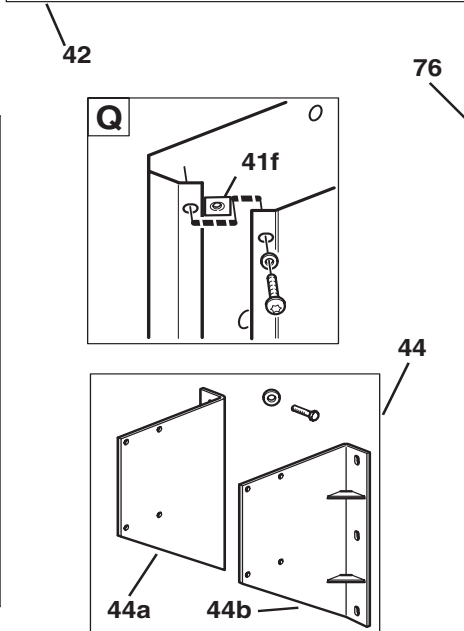
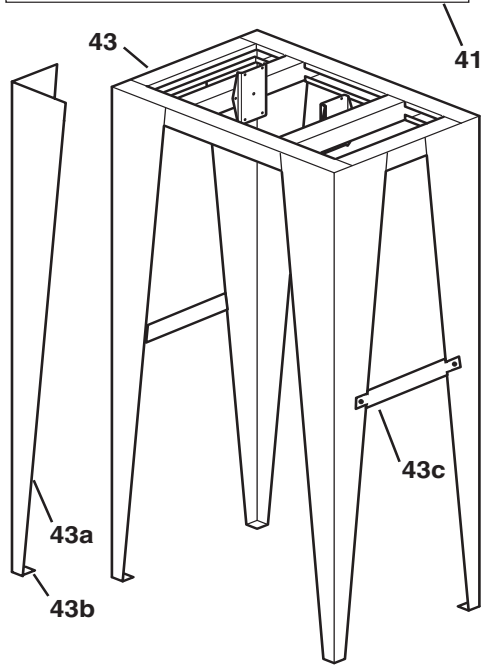
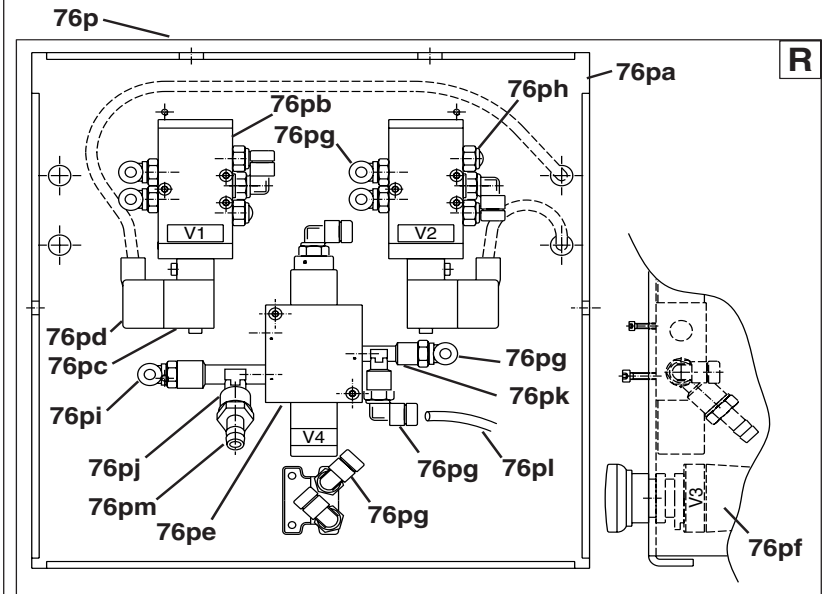
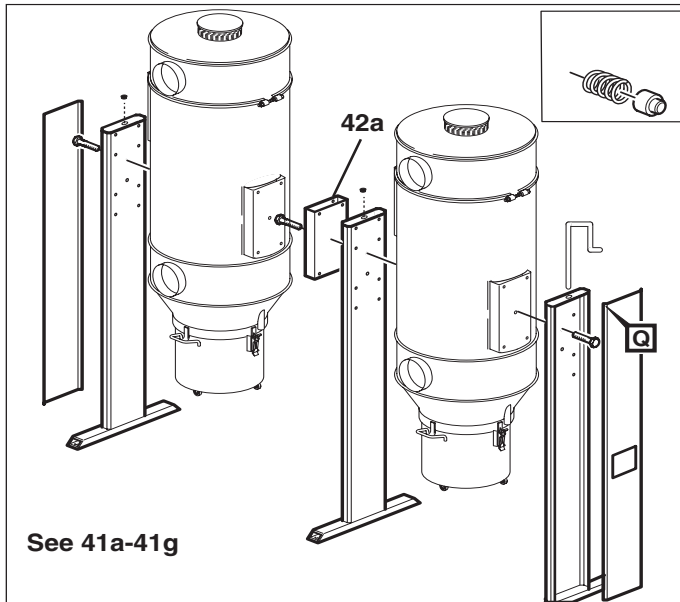
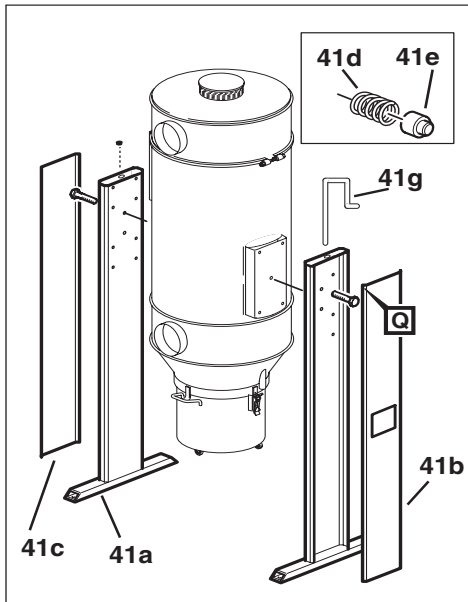
See 7f-7i

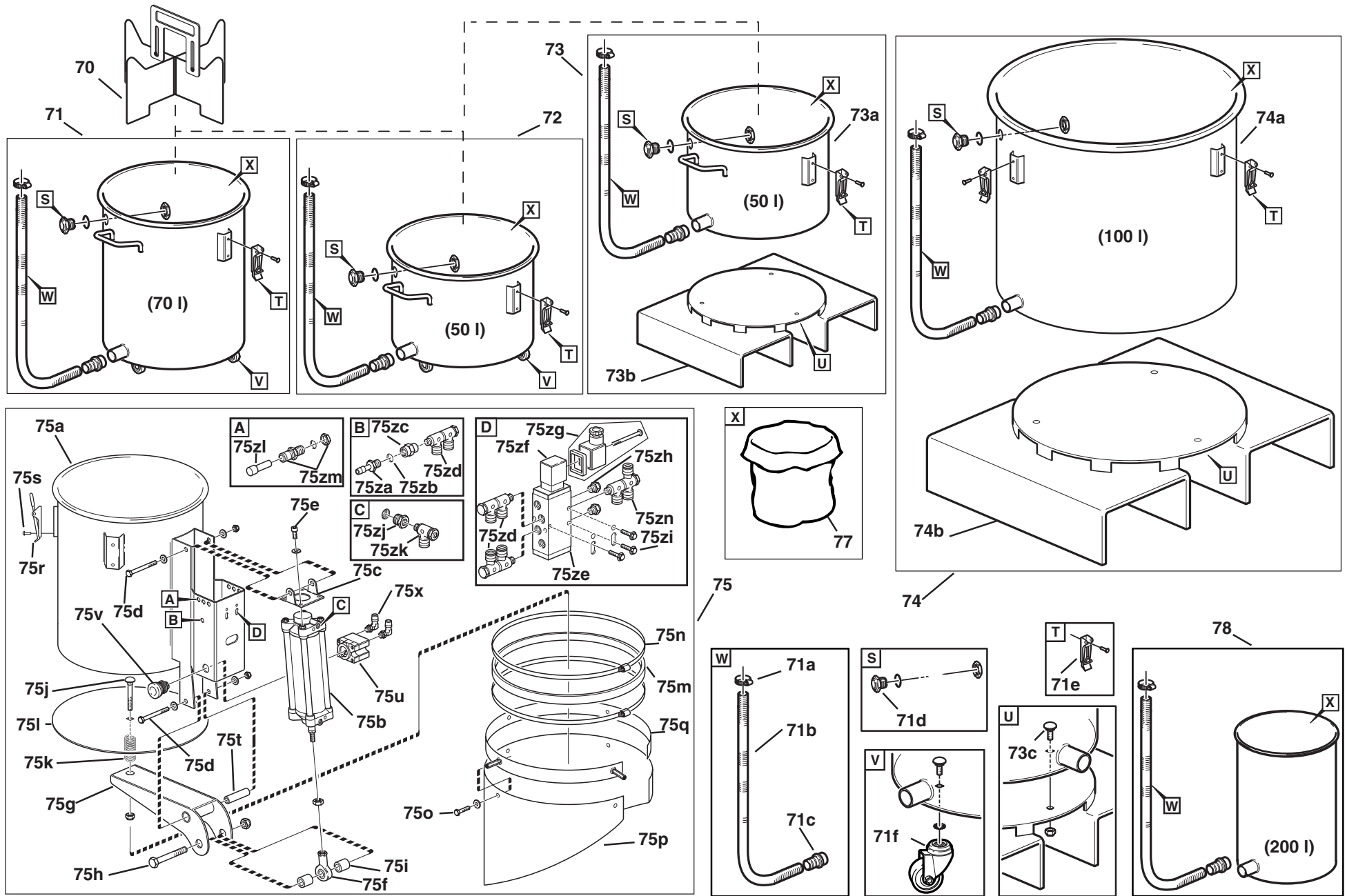
See 7a-7e



9







Ref	Part No	Qty	Benämning	Description	Benennung	Désignation	Descripción
1	40 1185 10	1	Topp-modul 1A (std topp)	Top-module 1A (std top)			
1a	40 1179 00	4	Lock (Inkl 7 st M5 blindnit)	Lid (Incl 7 pc M5 pop nut)			
1b	40 1179 20	4	Perfotopp	Cover			
1c	40 9114 50	Σ 7	Skruv M5x25	Screw M5x25			
1d	40 9121 70	4	Bricka 6.7x16	Washer 6.7x16			
1e	40 9120 80	4	Bricka 6.4x12x1.6 polyamid	Washer 6.4x12x1.6 polyamide			
1f	40 6005 80	1	Cylinder 50-16-50 m fäste	Cylinder 50-16-50 w bracket			
1h	40 1152 50	1	Ventilplatta ø170, hål 16.5 mm	Valve disc ø170, hole 16.5 mm			
1i	40 9117 40	2	Mutter M16x1.5	Nut M16x1.5			
"	40 9128 80	4	Bricka AZ 16.2	Washer AZ 16.2			
1j	40 9125 60	2	Skruv M12x25	Screw M12x25			
"	40 9120 30	2	Bricka 12.5x26	Washer 12.5x26			
1k	40 9133 90	2	Flänslåsmutter M12 DIN 6926	Flange nut M12 DIN 6926			
1l	40 9903 30	4	Plugg	Plug			
1m	40 1174 60	4	Fäste	Bracket			
1n	40 1173 70	4	Utlopp	Outlet			
2	40 1185 20	1	Topp-mod 1B (Single RF)	Top-mod 1B (Single RF)			
2a	40 1182 60	4	Lock RF (Inkl 11 st M5 blindnit)	Lid RF (Incl 11 pc M5 pop nut)			
2b	40 1179 20	2	Perfotopp	Cover			
2c	40 9114 50	Σ 11	Skruv M5x25	Screw M5x25			
2d	40 9121 70	8	Bricka 6.7x16	Washer 6.7x16			
2e	40 9120 80	8	Bricka 6.4x12x1.6 polyamid	Washer 6.4x12x1.6 polyamide			
2f	40 6005 80	2	Cylinder 50-16-50 m fäste	Cylinder 50-16-50 w bracket			
2h	40 1152 50	Σ 4	Ventilplatta ø170, hål 16.5 mm	Valve disc ø170, hole 16.5 mm			
2i	40 9117 40	Σ 8	Mutter M16x1.5	Nut M16x1.5			
"	40 9128 80	Σ 4	Bricka AZ 16.2	Washer AZ 16.2			
2j	40 9125 60	4	Skruv M12x25	Screw M12x25			
"	40 9120 30	4	Bricka 12.5x26	Washer 12.5x26			
2k	40 9133 90	4	Flänslåsmutter M12 DIN 6926	Flange nut M12 DIN 6926			
2l	40 9903 30	4	Plugg	Plug			
2m	40 1174 60	4	Fäste	Bracket			
2n	40 1182 90	4	Utlopp (single RF)	Outlet (single RF)			
2o	40 1185 40	1+1	Cylinderfäste	Cylinder bracket			

Ref	Part No	Qty	Benämning	Description	Benennung	Désignation	Descripción
2p	40-9106-30	2+2	Skruv M10x25	Screw M10x25			
2q	40-9125-50	2+2	Bricka 10.5x21x2 nylon	Washer 10.5x21x2 nylon			
2r	40-9119-30	2+2	Mutter M10 DIN 985	Nut M10 DIN 985			
2s	40-6006-00	1+1	Cylinder 50-16-100	Cylinder 50-16-100			
2t	40-6503-60	1+1	Skottgenomföring 6/4	Lead through 6/4			
2u	40-1182-70	1	Förbindningsrör	Pipe			
2v	40-1309-40	1	Skarvhylsa Ø200	Joint sleeve Ø200			
2x	40-9518-10	1	Clipslist 15 mm, L=2x0,8 m	Clips list 15 mm, L=2x0.8 m			
3	40-1185-30	1	Topp-modul 1C kompl (twin RF)	Top-module 1C compl (twin RF)			
3a	40-1184-10	1	Utlopp Twin RF	Outlet Twin RF			
3b	40-1176-30	1	Förbindningsrör	Pipe			
3c	40-1309-40	2	Skarvhylsa Ø200	Joint sleeve Ø200			
4	40-1185-31	1	Topp-modul 1D cyklon	Top-module 1D cyclone			
4a	40-1198-30	1	Lock cyklon (utlopp)	Lid, cyclone (outlet)			
4b	40-1184-21	1	Inloppsmodul cyklon	Inlet module, cyclone			
7a	40-6501-60	1	Koppling rak inv G6/4-1/8	Coupling, straight G6/4-1/8			
7b	40-6310-40	1	Vinkelrör utv 1/8-1/8	Angle 1/8-1/8			
7c	40-6180-10	1	Magnetventil 3/2, 1/8	Solenoid valve 3/2, 1/8			
7d	40-6177-30	1	Magnetspole 24V AC/DC	Coil 24V AC/DC			
7e	40-7201-60	1	Anslutningskontakt MPM-122-09-N	Adapter MPM-122-09-N			
7f	40-6507-00	1	Nippel 1/8-1/4 (Cylindrisk gänga)	Nipple 1/8-1/4			
7g	40-6603-20	1	Bricka alu 1/4	Washer alu 1/4			
7h	40-6507-10	1	Koppling rak inv G6/4-1/4	Coupling straight G6/4-1/4			
7i	40-6500-20	/m	Plaströr PA 6/4.2 mm	Nylon tubing PA 6/4.2 mm			
8a	40-6312-40	1+1	T-rör R1/8-1/8	T-piece R1/8-1/8			
8b	40-6501-10	1+1	Koppling rak utv R6/4-1/8	Coupling straight R6/4-1/8			
9	40-1183-70	1	Spännring & tätning, komplett	Steel retainer and rubber seal			
9a	40-1173-50	1	Tätningring (gummi)	Rubber sealing ring			
9b	40-1174-50	2	Spännring, halv	Steel retainer ring, half			
"	40-9134-40	2	Skruv M8x100-H	Screw M8x100-H			
"	40-9119-70	2	Bricka SRB 9x18x1.5	Washer SRB 9x18x1.5			

Ref	Part No	Qty	Benämning	Description	Benennung	Désignation	Descripción
21	40 1198 50	1	Filtermodul 2A, 12 m ² , polyprop	Filter module 2A, 12 m ² , polyprop			
"	40 1198 60	1	Filtermodul 2B, 12 m ² , PTFE coat	Filter module 2B, 12 m ² , PTFE coat			
"	40 1198 70	1	Filtermodul 2C, 12 m ² , antistatisk	Filter module 2C, 12 m ² , anti static			
21a	40 1197 60 ¹⁾	48	Filter 75x1050 mm, polyprop	Filter 75x1050 mm, polyprop			
"	40 1197 70 ¹⁾	48	Filter 75x1050 mm, PTFE coat	Filter 75x1050 mm, PTFE coat			
"	40 1150 74 ⁴⁾	48	Filter 75x1050 mm, Coated antistat	Filter 75x1050 mm, Coated antistat			
"	40 3754 44 ¹⁾	48	Filter 75x1050 anti static	Filter 75x1050 anti static			
21b	40 1152 20	48	Filterfjäder	Filter spring			
21c	40 1194 10	48	Filterring P	Filter ring P			
21d	40 1174 90	4	Filterhållare (endast) hål Ø76 mm	Filter holder (only) hole Ø76 mm			
"	40 1181 50	4	Filterhållare (endast) hål Ø74.4 mm	Filter holder (only) hole Ø74.4 mm			
21e	40 1703 10	1	Bladhylsa M8	Special nut M8			
"	40 9405 00	4	Skruv M8x16	Screw M8x16			
"	40 9419 70	4	Bricka 9x18x1.5	Washer 9x18x1.5			
22	40 1198 80	1	Filtermodul 2E, 6 m ² , polyprop	Filter module 2E, 6 m ² , polyprop			
"	40 1198 90	1	Filtermodul 2F, 6 m ² , PTFE coat	Filter module 2F, 6 m ² , PTFE coat			
"	40 1188 80	1	Filter Modul X-LOW, antistatisk	Filter Module X-LOW, anti static			
22a	40 1197 61 ¹⁾	48	Filter 75x600 mm, polyprop	Filter 75x600 mm, polyprop			
"	40 1197 74 ⁴⁾	48	Filter 75x600 mm, PTFE coat	Filter 75x600 mm, PTFE coat			
"	40 1150 60 ¹⁾	48	Filter 75x600mm PTFE	Filter 75x600mm PTFE			
"	40 3754 47 ¹⁾	48	Filter 75x600 antistatisk	Filter 75x600 anti static			
22b	40 1152 10	48	Filterfjäder	Filter spring			
22c	40 1194 10	48	Filterring P	Filter ring P			
22d	40 1174 90	4	Filterhållare (end.), hål Ø76 mm	Filter holder (only), hole Ø76 mm			
"	40 1181 50	4	Filterhållare (end.), hål Ø74.4 mm	Filter holder (only), hole Ø74.4 mm			
22e	40 1703 10	4	Bladhylsa M8	Special nut M8			
"	40 9405 00	4	Skruv M8x16	Screw M8x16			
"	40 9421 90	4	Bricka 9x18x1.5	Washer 9x18x1.5			
23	40 1197 51	4	Cykloninsats 2D	Cyclone insert 2D			
24	40 1199 10	1	Grovfiltermodul 2G	Coarse filter module 2G			
24a	40 1199 30	1	Grovfilterhållare	Coarse filter holder			
24b	40 1199 11	4	Grovfilter polypropylen, sats	Coarse filter polypropylene, kit			
34	40 1180 20	4	Mantel 3A (std)	Housing 3A (std)			
32	40 1180 30	4	Mantel 3B m tryckavlastare	Housing 3B w expl. relief panel			
32a	40 1184 90	4	Mantel med fästsektion	Housing w attachment section			
32b	40 1173 10	4	Tryckavlastare CV-S 470x570	Expl. relief panel CV-S 470x570			

Ref	Part No	Qty	Benämning	Description	Benennung	Désignation	Descripción
32c	40-9518-00	/m	K-list 8x3 mm L~5.5m självh. EPDM	Sealing strip 8x3 mm L~5.5m			
32d	40-1184-80	1	Ram	Frame			
32e	40-9134-70	Σ 26	Skruv M12x30	Screw M12x30			
"	40-9122-20	Σ 52	Bricka BRB 13x24	Washer 13x24			
"	40-9119-40	Σ 26	Låsmutter M12 DIN 985	Locking nut M12 DIN 985			
33	40-1180-40	1	Mantel 3C m insp lucka	Housing 3C w insp door			
33a	40-1184-90	1	Mantel med fästsektion	Housing w attachment section			
33b	40-1184-70	1	Inspektionslucka	Inspection door			
33c	40-951-800	/m	K-list 8x3 mm L~5.5m självh. EPDM	Sealing strip 8x3 mm L~5.5m			
33d	40-9134-70	Σ 12	Skruv M12x30	Screw M12x30			
"	40-9119-40	Σ 12	Låsmutter M12 DIN 985	Locking nut M12 DIN 985			
"	40-9122-20	Σ 12	Bricka BRB 13x24	Washer BRB 13x24			
34	40-1185-90	1	Mantel 3D(låg)	Housing 3D(low)			
41	40-1182-20	1	Benmod 3A Single kompl (2 ben)	Leg module 3A Single compl (2 legs)			
41a	40-1174-40	1-3	Ben	Leg			
"	40-9124-70	1-4	Skruv M16x40	Screw M16x40			
"	40-9119-90	1-4	Bricka SRB 17.5x34x3	Washer SRB 17.5x34x3			
"	40-9125-60	4-8	Skruv M12x25	Screw M12x25			
"	40-9120-30	4-8	Bricka SRB 12.5x26	Washer SRB 12.5x26			
41b	40-1184-00	1	Sidopanel med hål	Side panel with hole			
41c	40-1178-10	1	Sidoplat utan hål	Side panel without hole			
41d	40-1183-60	1-2	Fjäder	Spring			
41e	40-1183-50	1-2	Låsknapp	Locking plunger			
41f	40-9127-70	12	Clipsmutter M6	Clip nut M6			
"	40-9133-50	12	Skruv K6S M6x16	Screw K6S M6x16			
"	40-9121-60	12	Bricka BRB 6.4x12x1.5	Washer BRB 6.4x12x1.5			
41g	40-1607-10	/m	Slang H-25 Flex antist L=1.5 m	Hose H-25 Flex antist L=1.5 m			
42	40-1178-20	1	Benmodul 3B Twin kompl (3 ben)	Leg module 3B Twin compl (3 ben)			
42a	40-1176-10	1	Distans	Spacer			
"	40-9106-40	8	Skruv M10x30	Screw M10x30			
"	40-9122-10	8	Bricka BRB 10.5x22	Washer BRB 10.5x22			
43	40-1180-50	1	Benmodul 7C, komplett	Leg module 7C, complete			

Ref	Part No	Qty	Benämning	Description	Benennung	Désignation	Descripción
"	40 1180 60	1	Benmodul 7D, komplett	Leg module 7D, complete			
"	40 1177 30	1	Benmodul 7E, komplett	Leg module 7E, complete			
"	40 1177 40	1	Benmodul 7F, komplett	Leg module 7F, complete			
43a	40 1176 60	4	Endast ben, kort till 7C/7E	Leg only, short for 7C/7E			
"	40 1177 20	4	Endast ben, långt 7D/7F	Leg only, long for 7D/7F			
43b	40 1176 70	4	Föt	Foot			
43c	40 1197 20	2	Stag	Red			
44	40 1185 00	1	Benmodul 7G väggfäste kompl	Leg module 7G wall complete			
"	40 9125 60	4+4	Skruv M12x25	Screw M12x25			
"	40 9120 30	4+4	Bricka SRB 12.5x26	Washer SRB 12.5x26			
44a	40 1177 90	4	Väggfäste vänster	Wall bracket left			
44b	40 1177 91	4	Väggfäste höger	Wall bracket right			
51	40 1180 70	1	Inlopp 5A Ø200 (std)	Inlet 5A Ø200 (std)			
51a	40 1156 90	1	Slitgummi (200)	Rubber wear protection (200)			
51b	40 9106 40	2	Skruv M10x30	Screw M10x30			
"	40 9122 10	4	Bricka BRB 10.5x22	Washer BRB 10.5x22			
"	40 9119 30	2	Mutter M10 DIN 985	Nut M10 DIN 985			
52	40 1180 80	4	Inlopp 5B, 2x150	Inlet 5B, 2x150			
52a	40 1175 30	4	Inlopp m fläns	Inlet with frame			
52b	40 1175 00	4	Inlopps rör 2x150	Inlet pipe 2x150			
"	40 9105 10	10	Skruv M8x20	Screw M8x20			
"	40 9119 70	40	Bricka SRB 9x18x1.5	Washer SRB 9x18x1.5			
"	40 9132 40	40	Flänslåsmutter M8 DIN 6926	Flange nut M8 DIN 6926			
"	40 9103 30	2	Skruv M5x20	Screw M5x20			
"	40 9121 50	2	Bricka BRB 5.3x10x1	Washer BRB 5.3x10x1			
"	40 9119 00	2	Mutter M5 DIN 985	Nut M5 DIN 985			
52c	40 1175 20	1-2	Slitgummi (150)	Rubber wear protection (150)			
52d	40 9106 40	2-4	Skruv M10x30	Screw M10x30			
"	40 9122 10	4-8	Bricka BRB 10.5x22	Washer BRB 10.5x22			
"	40 9119 30	2-4	Mutter M10 DIN 985	Nut M10 DIN 985			
52e	40 951 800	/m	K list 8x3 mm L~3m jälvh. EPDM	Sealing strip 8x3 mm L~3m			
53	40 1180 90	1	Inlopp 5C, 2x100	Inlet 5C, 2x100			
53a	40 1175 30	4	Inlopp m fläns	Inlet with frame			

Ref	Part No	Qty	Benämning	Description	Benennung	Désignation	Descripción
53b	40 1175 40	4	Inloppsror 2x100	Inlet pipe 2x100			
"	40 9105 10	10	Skruv M8x20	Screw M8x20			
"	40 9119 70	40	Bricka SRB 9x18x1.5	Washer SRB 9x18x1.5			
"	40 9132 40	40	Flänslåsmutter M8 DIN 6926	Flange nut M8 DIN 6926			
"	40 9103 30	2	Skruv M5x20	Screw M5x20			
"	40 9121 50	2	Bricka BRB 5.3x10x4	Washer BRB 5.3x10x4			
"	40 9119 00	2	Mutter M5 DIN 985	Nut M5 DIN 985			
53e	40 1175 60	4-2	Slitgummi (100)	Rubber wear protection (100)			
53d	40 9106 40	2-4	Skruv M10x30	Screw M10x30			
"	40 9122 10	4-8	Bricka BRB 10.5x22	Washer BRB 10.5x22			
"	40 9119 30	2-4	Mutter M10 DIN 985	Nut M10 DIN 985			
53e	40 951 800	/m	K-list 8x3 mm L~3m <small>ejälvh. EPDM</small>	Sealing strip 8x3 mm L~3m			
54	40 1180 91	1	Förhöjning 5D (Mellanring)	Spacer 5D			
61	40 1174 10	1	Konmodul 6A, standard	Cone module 6A, standard			
61a	40 9510 41	/m	Cellgummilist Ø25 mm L=1550	Cellular rubber seal Ø25 mm L=1550			
62	40 1174 20	4	Konmodul 6B, stor, komplett	Cone module 6B, large, compl.			
62a	40 9510 41	/m	Cellgummilist Ø25 mm L=1890	Cellular rubber seal Ø25 mm L=1890			
63	40 1183 00	1	Konmod 6C slussutm. komplett	Cone mod 6C twin valve feedout			
70	40 1166 50	4	Kärnsats	Bin insert			
71	40 1181 20	1	Kärnmodul 7A, standard	Bin module 7A, standard			
71a	40 9031 40	4	Slangklämma 38	Hose clip 38			
71b	40 1602 00	/m	Slang FS 38 L= 1.2 m	Hose FS 38 L= 1.2 m			
71c	40 1510 10	1	Slangkoppling F40-38P	Hose coupling F40-38P			
71d	40 7217 60	4	Strypnippel PG21 (plugg)	Plug PG21			
"	40 7207 60	4	Kontramutter PG21	Nut PG21			
"	40 9518 90	4	O-ring 30x2	O-ring 30x2			
71e	40 90 20 30	2-4	Excenterlås (3578)	Toggle fastener (3578)			
"	40 9108 90	4-8	Skruv M6x12	Screw M6x12			
"	40 9118 10	4-8	Mutter M6	Nut M6			
71f	40 0976 60	3	Länkhjul D40-H61, plast	Swivel wheel D40-H61, plastic			
"	40 9130 30	3	Skruv MVBF M8x20H	Screw MVBF M8x20H			
"	40 9127 50	3	Mutter M8 DIN 6923	Nut M8 DIN 6923			
72	40 1181 30	4	Kärnmodul 7B, 50 l	Bin module 7B, 50 l			

Ref	Part No	Qty	Benämning	Description	Benennung	Désignation	Descripción
73	40-118-140	1	Kärmodul 7C, 50l, truckficka	Bin module 7C, 50l (fork lift)			
73a	40-1175-90	1	Uppsamlingskärl 50 l, truckficka	Bin 50 l, (fork lift)			
73b	40-1176-00	1	Truckficka, (50 l)	Fork lift module (50 l)			
73c	40-9130-30	3	Skruv MVBF M8x20h	Screw MVBF M8x20H			
"	40-9119-70	3	Bricka SRB 9x18x1.5	Washer SRB 9x18x1.5			
"	40-9119-20	3	Låsmutter M8 DIN 985	Locking nut M8 DIN 985			
74	40-1181-70	1	Kärmodul 7F, 100 l, truckficka	Bin module 7F, 100 l (fork lift)			
74a	40-1179-40	1	Uppsamlingskärl 100 l m truckf	Bin 100 l m (fork lift)			
74b	40-1179-60	1	Truckficka (100 l)	Fork lift module (100 l)			
75	40-1178-50	1	Kärl med aut tömning, kompl	Bin with aut emptying, compl.			
75a	40-1178-40	1	Uppsamlingskärl utan botten	Bin without bottom			
75b	40-6004-20	1	Cylinder C52M-63-20-125	Cylinder C52M-63-20-125			
75c	40-1185-50	1	Fäste	Bracket			
75d	40-9134-10	2	Skruv M12x110	Screw M12x110			
"	40-9120-30	4	Bricka 12.5x26	Washer 12.5x26			
"	40-9119-40	1+1+1	Låsmutter M12 DIN 985	Locking nut M12 DIN 985			
75e	40-9114-90	4	Skruv MC6S 8X16	Screw MC6S 8x16			
75f	40-6005-10	1	Kulledsöra	Ball joint end			
75g	40-1178-70	1	Arm	Arm			
75h	40-9134-20	1	Skruv M16x110	Screw M16x110			
"	40-9119-50	1	Mutter M16 DIN 985	Nut M16 DIN 985			
75i	40-1185-60	2	Hylsa 22x2x25	Sleeve 22x2x25			
75j	40-9134-30	1	Skruv M12x80	Screw M12x80			
75k	40-1151-80	1	Fjäder	Spring			
75l	40-1178-30	1	Bottenskiva	Bottom lid			
75m	40-1178-60	1	Gummlist 50x10, Ø471 mm	Rubber lip 50x10, Ø471 mm			
75n	40-9030-50	4	Slangklämma 232	Hose clip 232			
75o	40-9105-10	5	Skruv M8x20	Screw M8x20			
"	40-9125-30	5	Bricka 9x35x3	Washer 9x35x3			
75p	40-1185-70	1	Skydd	Splash guard			
75q	40-1178-90	1	Styrring	Retainer ring			
75r	40-9020-60	4	Excenterlås	Toggle fastener			
75s	40-9108-90	8	Skruv MFS 6x12	Screw MFS 6x12			

Ref	Part No	Qty	Benämning	Description	Benennung	Désignation	Descripción
"	40-9118-10	8	Mutter M6	Nut M6			
75t	40-1197-40	4	Hylsa 20x3x80,5	Sleeve 20x3x80,5			
75u	40-6177-00	2	Nödstoppventil 3/2	Emergency switch 3/2			
75v	40-6177-01	1	Adapter	Adapter			
"	40-6177-02	4	Tryckknapp	Push button			
75x	40-6506-90	Σ 4	Koppling vinkel vridbar	Coupling, swivel			
75za	40-6301-00	1	Slangnippel 1/4-9 mm	Hose nipple 1/4-9 mm			
75zb	40-6603-20	2	Bricka 1/4	Washer 1/4			
75zc	40-6309-10	1	Reduceringsmuff G1/8-1/4	Reducer muff G1/8-1/4			
75zd	40-6505-20	Σ 9	Banjoringstycke 6/4-1/8	Banjo ring piece 6/4-1/8			
"	40-6505-80	Σ 4	Banjohålskruv 1/8 dubbel	Banjo hole screw 1/8 double			
"	40-6506-40	Σ 16	Nylonbricka 1/8	Nylon washer 1/8			
75ze	40-6177-80	1	Ventil VGD15-ER-S-5	Valve VGD15-ER-S-5			
75zf	40-6177-30	1	Magnetspole 24 VAC/DC	Coil 24 VAC/DC			
75zg	40-7201-60	4	Anslutningskontakt	Adapter			
75zh	40-6200-60	3	Ljuddämpare G1/8	Silencer G1/8			
75zi	40-9102-90	3	Skruv M4x30	Screw M4x30			
"	40-9121-50	3	Bricka 5.3x10x1	Washer 5.3x10x1			
"	40-9118-90	3	Mutter M4 DIN 985	Nut M4 DIN 985			
75zj	40-6313-50	2	Bussning R3/8-1/4	Nipple R3/8-1/4			
75zk	40-6175-50	2	Strypventil f banjo 1/8	Restrictor valve banjo 1/8			
-	40-6503-10	1	T-skarvkoppling (för 6 mm slang)	T-piece (for 6 mm tubing)			
75zl	40-6704-00	4	Plugg 6 mm	Plug 6 mm			
-	40-6500-20	/m	Plaströr PA 6/4.2, L=10 m	Nylon tubing PA 6/4.2, L=10 m			
75zn	40-6507-30	4	Banjoringst. dubbel 6/4-1/8	Banjo ring pc. double 6/4-1/8			
75zm	40-6503-60	3	Skottgenomföring 6/4	Lead-through 6/4			
76a	40-1183-20	4	Utlopp slussutmatning	Outlet, twin valve feedout			
76b	40-1183-10	4	Rör slussutmatning	Container-			
76c	40-1491-80	2	Skjutventil VLC300	Slide valve VLC300			
76d	40-9107-50	Σ 44	Skruv M12x40	Screw M12x40			
"	40-9118-40	Σ 52	Mutter M12	Nut M12			
"	40-9120-30	Σ 104	Bricka SRB 12.5x26	Washer SRB 12.5x26			

Ref	Part No	Qty	Benämning	Description	Benennung	Désignation	Descripción
76e	40-1183-31	2	Fäste	Holder			
76f	40-9030-70	2	Slangkåmma 308	Hose clip 308			
76g	40-1181-60	1	Gummiduk 1000x300x3 mm	Rubber sheeting 1000x300x3 mm			
76h	40-9134-90	2	Mutter ML6M M20	Nut ML6M M20			
76i	40-6005-90	2	Cylinder 80 20 320	Cylinder 80 20 320			
76j	40-9125-60	4	Skruv M12x25	Screw M12x25			
76k	40-9107-70	4	Skruv M12x70	Screw M12x70			
76l	40-1197-30	1	Kabelkanal	Cable duct			
76m	40-6507-20	4	Koppling vinkel vridb. 6/4-G1/4	Coupling swivel 6/4-G1/4			
-	40-9010-61	Σ 6	Buntband 200x4.7 mm svart	Strap 200x4.7 mm black			
76o	40-7551-30	2	Tungelementgivare	Proximity switch			
76pa	40-6803-00	2	Pneumatikpanel kompl.	Pneumatic panel compl.			
76pb	40-6177-80	2	Ventil VGD15-ER-S-5	Valve VGD15-ER-S-5			
76pc	40-6177-30	2	Magnetspole VF03 24VAC/DC	Coil VF03 24VAC/DC			
76pd	40-7216-50	2	Anslutningskontakt, kabel 1m	Adapter cable 1m			
76pe	40-6179-20	1	Ventil 3/2, 1/4"	Valve 3/2, 1/4"			
76pf	40-6177-00	1	Nödstoppsventil 3/2-NO	Emergency switch 3/2			
"	40-6177-01	1	Adapter	Adapter			
"	40-6177-02	1	Tryckknapp till nödstoppsventil	Push button for emergency switch			
76pg	40-6506-90	Σ 11	Koppl vinkel vridb 6/4-G1/8	Coupling swivel 6/4-G1/8			
76ph	40-6200-60	4	Ljuddämpare G1/8 utv gänga	Silencer G1/8			
76pi	40-6507-20	1	Koppl vinkel vridb 6/4-G1/4	Coupling swivel 6/4-G1/4			
76pj	40-6312-10	1	T-rör R1/4-1/4	T-piece R1/4-1/4			
76pk	40-6312-40	1	T-rör R1/8-1/8	T-piece R1/8-1/8			
76pl	40-6500-20	1m	Plaströr PA 6/4 svart	Nylon tubing PA 6/4 black			
76pm	40-6301-00	1	Slangnippel 1/4-9 mm	Hose nipple 1/4-9 mm			
76q	40-7806-60	1	Styrutrustning TVC	Control unit TVC			
-	40-7216-00	Σ 5	Kabelförskruvning PG9 15.2 mm	Cable lead through PG9 15.2 mm			
-	40-7210-61	Σ 5	Kontramutter PG9	Nut PG9			
77	40-1150-20	1	Plastsäck 50l & 70l (730x900 mm)	Plastic sack 50l & 70l (730x900 mm)			
"	40-1183-80	1	Plastsäck 100l (950x950 mm)	Plastic sack 100l (950x950 mm)			
"	40-1183-90	1	Plastsäck 200l (950x1400 mm)	Plastic sack 200l (950x1400 mm)			

Ref	Part No	Qty	Benämning	Description	Benennung	Désignation	Descripción
78	40-1181-80	4	Uppsamlingskärl 200 l	Bin 200 l			
1)	Vid byte av filter byt även filterring P (22c)						
1)	When replacing the filter socks also replace the filter ring P (22c)						