

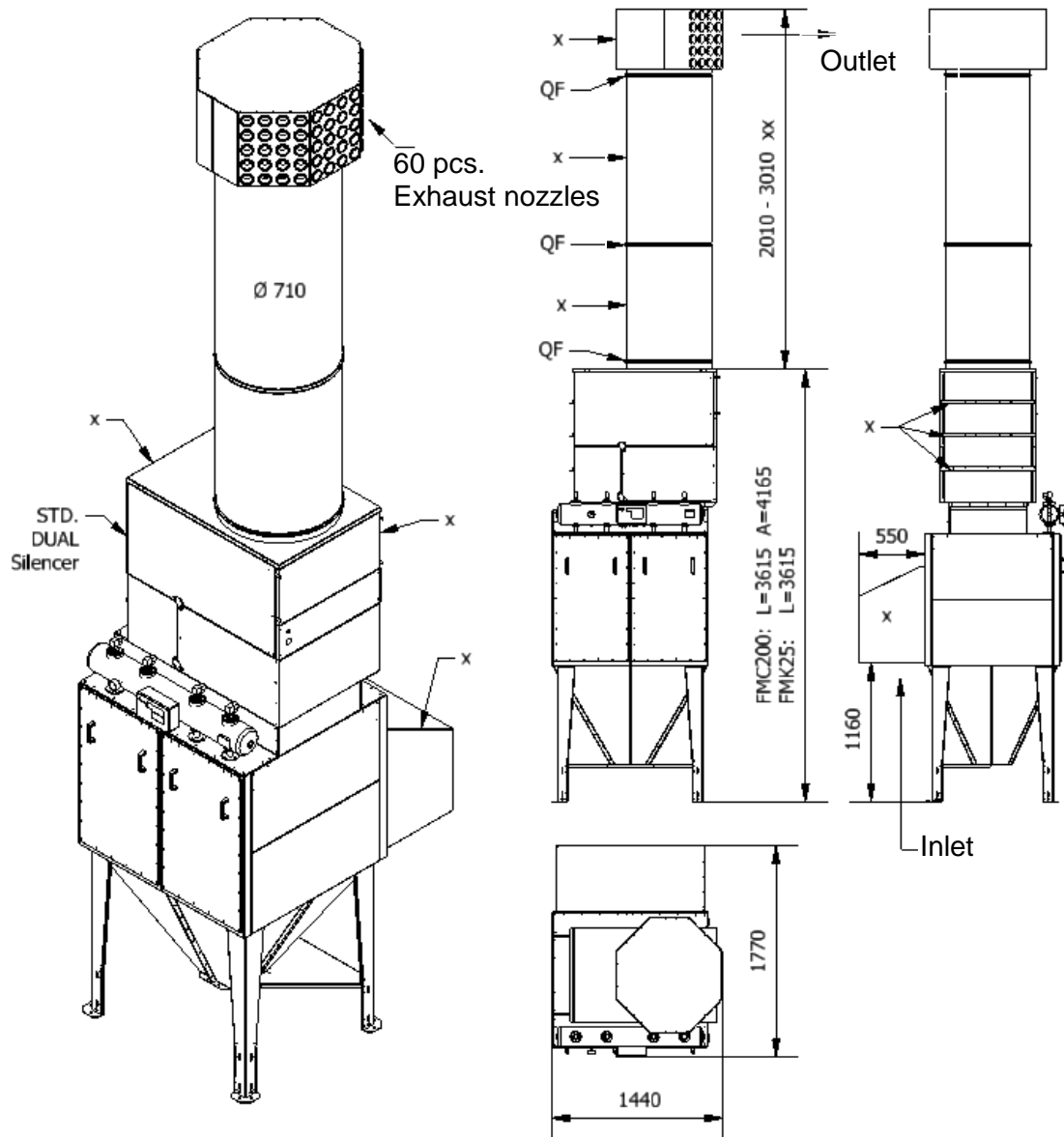
FM Filter type RC

The FM filter is available in type RC for indoor room cleaning in production facilities, where air recovery is a possibility.

Room Cleaning (RC) accessories

Used for indoor air cleaning. RC is an accessory for standard FM filters.

TYPE 1 (TYPE 3 with $\varnothing 710$ duct)



All dimensions in mm.

The height is incl. the standard 50 liter bin.

xx The adjustable height can be reduced, if the outer duct is replaced with a slip duct.

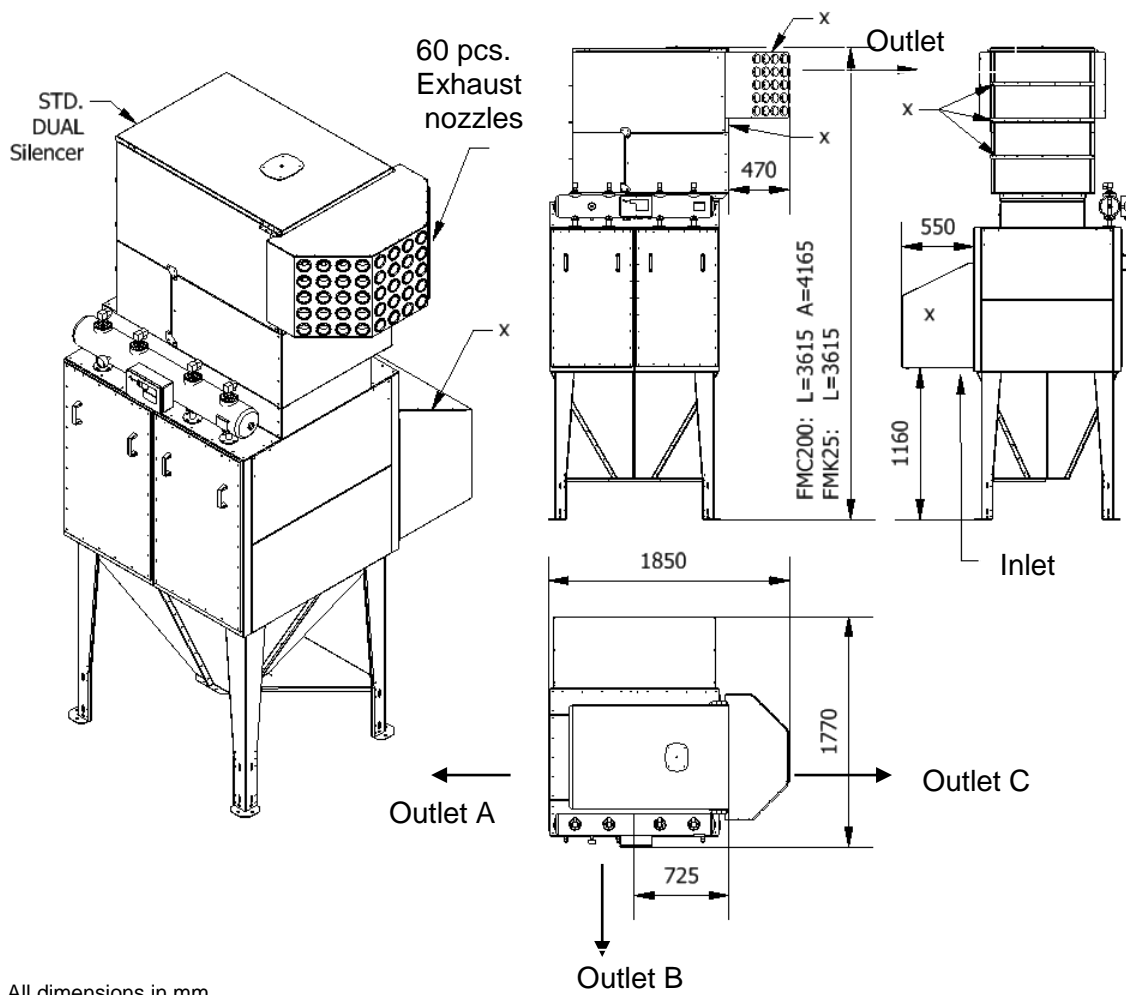
The inlet is fitted with a back pressure flap valve preventing dust from returning into the room during cleaning.

The outlet can be turned 360 degrees. The exhaust nozzles (xxx) can be turned 15 degrees.

For further information, please check the technical leaflet for the FMC200/FMK25.

x RC components

TYPE 2



All dimensions in mm.

The height is incl. the standard 50 liter bin.

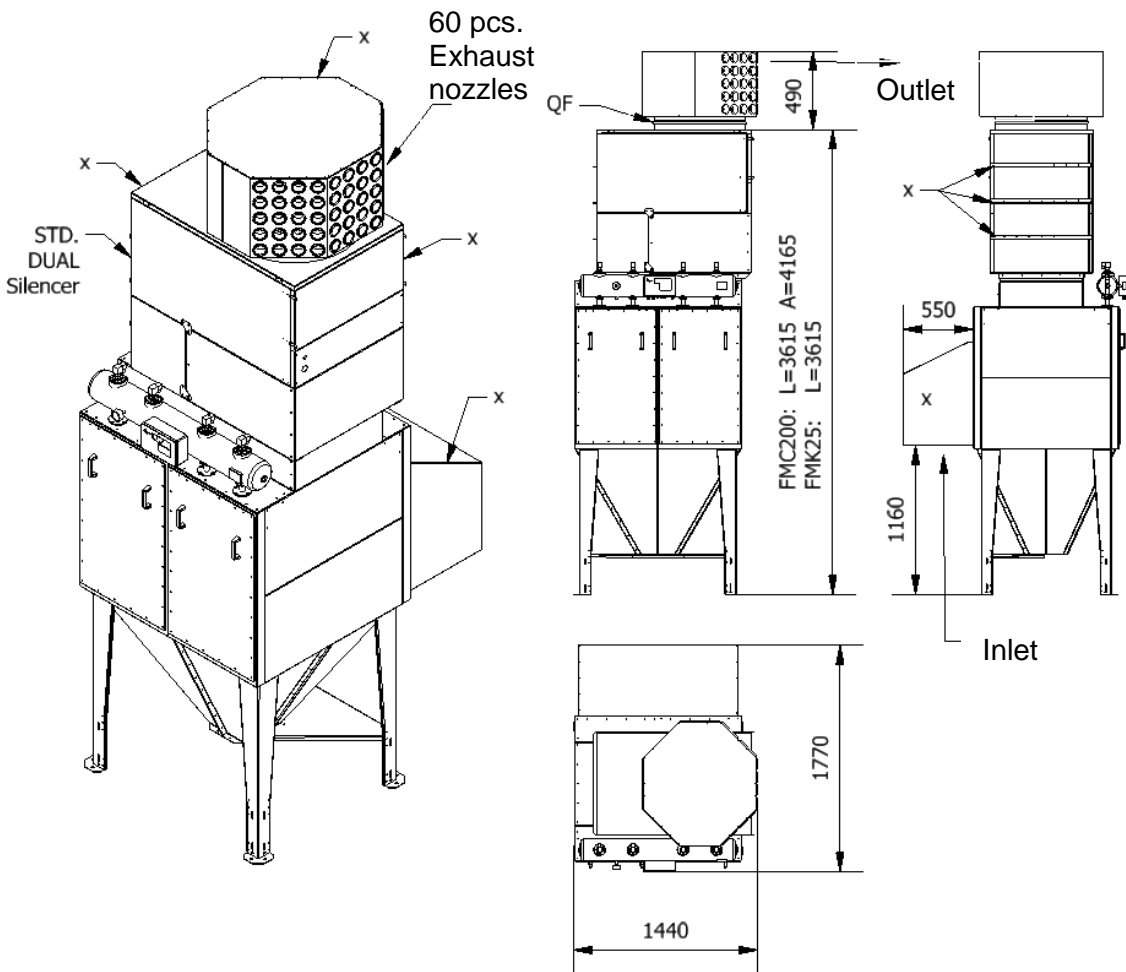
The inlet is fitted with a back pressure flap valve preventing dust from returning into the room during cleaning.

The outlet can be placed in position A, B or C and the exhaust nozzles (xxx) can be turned 15 degrees.

For further information, please check the technical leaflet for the FMC200/FMK25.

x RC components

TYPE 3 (TYPE 1 without ø710 duct)



All dimensions in mm.
 The height is incl. the standard 50 liter bin.
 The inlet is fitted with a back pressure flap valve preventing dust from returning into the room during cleaning.
 The outlet can be turned 360 degrees and the exhaust nozzles (xxx) can be turned 15 degrees.
 For further information, please check the technical leaflet for the FMC200/FMK25.

x RC components

Exhaust air flow and pressure drop

xxx – exhaust nozzles

