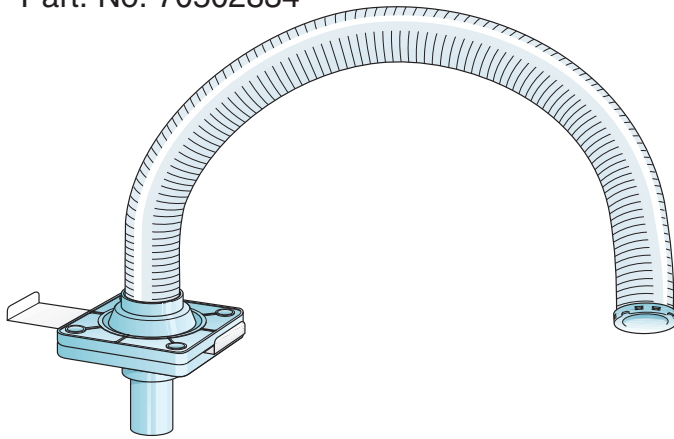


Technical Description

FX Extraction Arm 32-Original

Part. No. 70502834



Arm Section

Flexible plastic hose with a very good resistancy against solvents etc. Stays in new position when adjusted.

Swivel

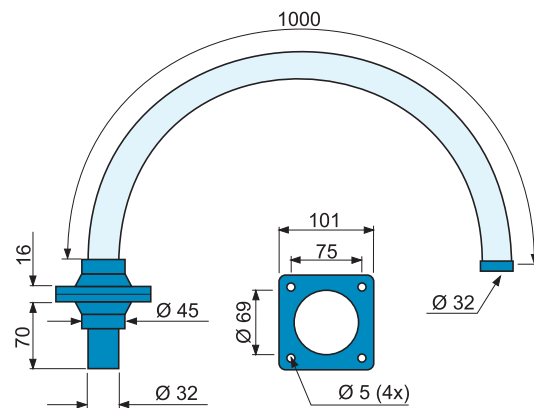
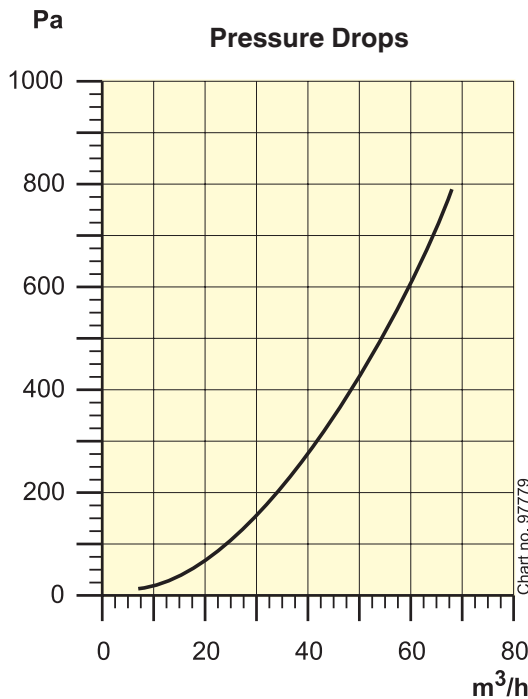
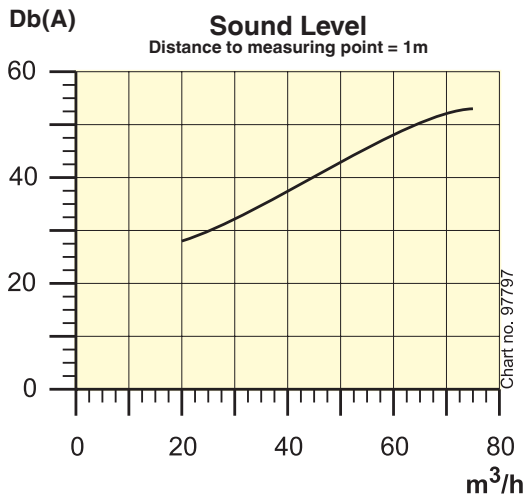
Swivel with 360 degree rotation. This means, connected ductwork remains firm and does not rotate with the arm.

Accessories

Extraction hood, Dome shaped hood, Flange hood, Brackets.

Mounting

Mounting directly in bench surface or with accessory brackets. Can be mounted both standing and hanging.



Facts

Material

Arm section	ABS
Damper	Stainless steel
Washer, Bolt,	Steel
Swivel plate	ABS
Swivel connections	Polyamide
Nozzle	Acetal

Surface treatment

Washer, Bolt, Spring	Electrolytic galvanizing
----------------------	--------------------------

Air Temperature

-15 - +90 degrees C