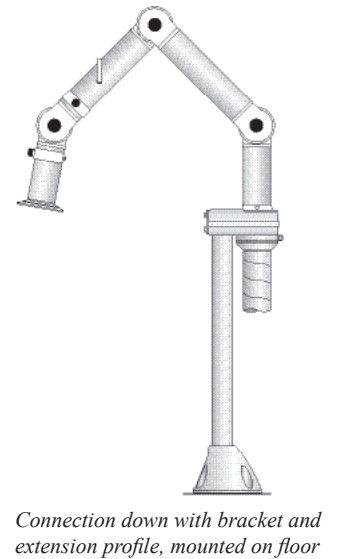
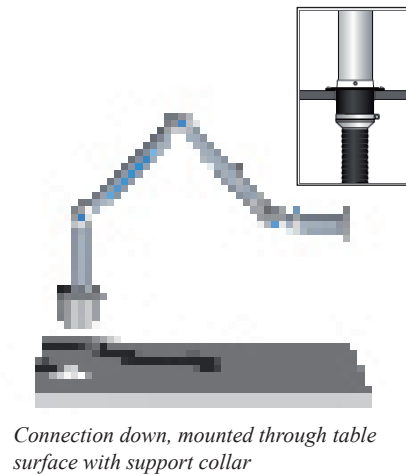
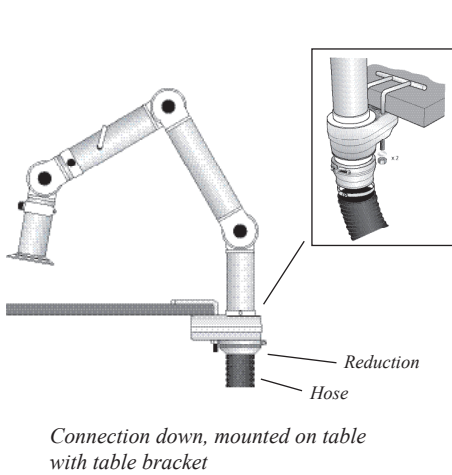
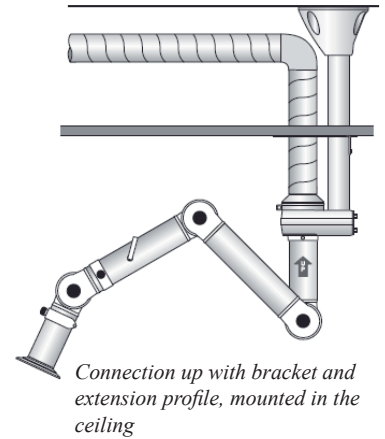
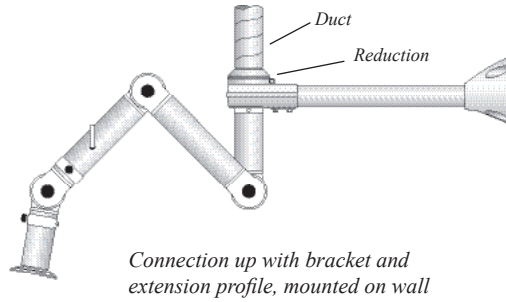
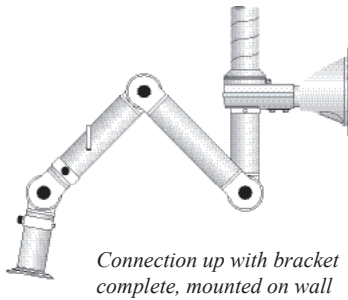


Technical Description FX Extractor arms - Accessories

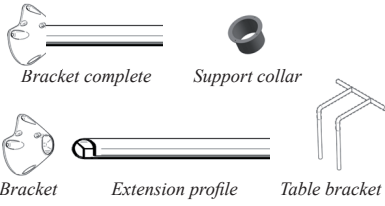
Mounting examples of the FX Extractor arms




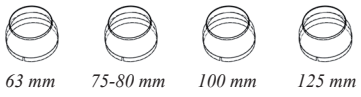
Hoods




Measures and Part numbers

	Brackets	Fits FX Arm	Size (mm)	Weight (kg)	ORIGINAL Part No.	ESD/EX Part No.	CHEM Part No.
	Bracket complete	50 / 75 / 100	L = 250	1.2	70501144	70501144	70501144
	Bracket	50 / 75 / 100	-	0.9	70501244	70501244	70501244
	Extension profile	50 / 75 / 100	L = 1100	1.9	70501344	70501344	70501344
	Extension profile	50 / 75 / 100	L = 2200	3.8	70374600	70374600	70374600
	Table bracket	50 / 75 / 100	-	0.5	70501444	70501444	70501444
	Support collar	50 / 75 / 100	-	-	70502744	70502744	70502744

	Hoods	Fits FX Arm	Size (mm)	Weight (kg)	ORIGINAL Part No.	ESD/EX Part No.	CHEM Part No.
	Metal hood	50 / 75 / 100	Ø280	0.25	70500444	70500544	70500444
	Combination hood	50 / 75 / 100	380x460	0.7	70500144	70500244	70500344
	Flange hood	50 / 75 / 100	260x335	0.5	70502844	70502944	70503044

	Reductions	Fits FX Arm	Diameter (mm)	Weight (kg)	ORIGINAL Part No.	ESD/EX Part No.	CHEM Part No.
	Reduction	50 / 75 / 100	63	0.3	70500644	70500644	70500644
	Reduction	50 / 75 / 100	75 - 80	0.3	70500744	70500744	70500744
	Reduction	50 / 75 / 100	100	0.3	70500844	70500844	70500844
	Reduction	50 / 75 / 100	125	0.3	70500944	70500944	70500944

	Hoses	Diameter (mm)	Length (mm)	ORIGINAL Part No.	ESD/EX Part No.	CHEM Part No.
	Hose (white)	45	3000	70501644	-	70501644
	Hose (grey)	75	3000	70501544	-	70501544
	Hose (grey)	100	3000	70501744	-	70501744
	Hose (grey)	125	5000	70501844	-	70501844
	Hose ESD/EX (black)	45	3000	-	70502044	-
	Hose ESD/EX (black)	75	3000	-	70501944	-
	Hose ESD/EX (black)	100	3000	-	70502144	-
	Hose ESD/EX (black)	125	3000	-	70502244	-
	Hose (black)	32	1500	70400052	-	70400052

Materials

Accessory	Material	Note
Bracket	Aluminium	
Extension profile	Aluminium	Anodized, 10µm
Locking parts, bolts, nuts	Steel	Galvanized
Combination/flange hood, Original	PET-G	Transparent
Combination/flange hood, ESD/EX	ABS	Black
Combination/flange hood, Chem	PE	Semi-transparent
Metal hood, Original/Chem	Aluminium	Powder coated, White
Metal hood, ESD/EX	Aluminium	Anodized, Black
Reduction	Sheet metal steel	Galvanized
Hose	PVC	White and grey
Hose, ESD/EX	PVC	Black, conductive

Nederman

www.nederman.com