

Welding and Grinding table

Source capture fume extraction



The industrial welding and grinding table for extracting fumes, dust and particles from welding and grinding operations. It can also be used in explosive environments, if grounded accordingly. The table is not suitable for cutting. The table can be used to suspend the welding torch when not in use. Underneath

the working area a dust drawer takes care of the heavy dust. The drawer can easily be emptied from the front of the table. The duct connection for the external fan is located on top of the table and it is recommendable to use a filter device between the table and the fan.

- Easy to install
- Sturdy industrial design
- Flexible in terms of installation possibilities

| | |
|-------------------------------|---|
| Product name | Welding and Grinding table |
| Installation | [Indoor] |
| Material | Sheet metal |
| Material recycling (% weight) | 100 |
| Colour | Blue |
| Note | Max. distributed load on the table - 500 Kg NOTE! Welding and Grinding Table is to be securely anchored to the foundation. |

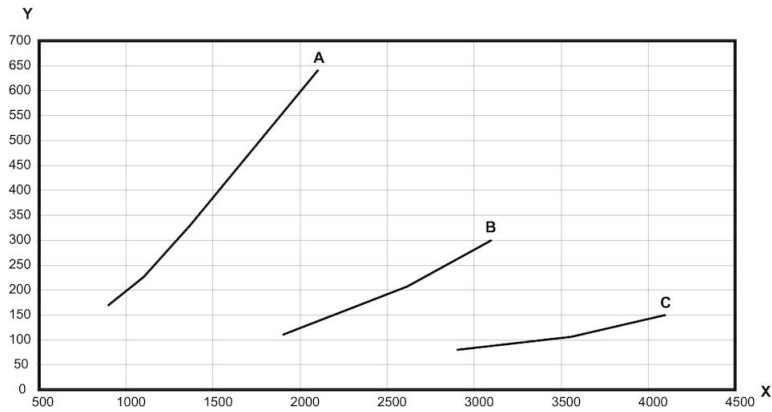
Welding and Grinding table

| Description | Arm length (ft) | Weight (lbs) | [model] |
|------------------------------------|-----------------|--------------|-----------|
| Welding and grinding table 900 mm | 2 ft 11 in | 386 | 10500133* |
| Welding and grinding table 1350 mm | 4 ft 5 in | 573 | 10500233* |
| Welding and grinding table 2000 mm | 6 ft 6 in | 794 | 10500333* |

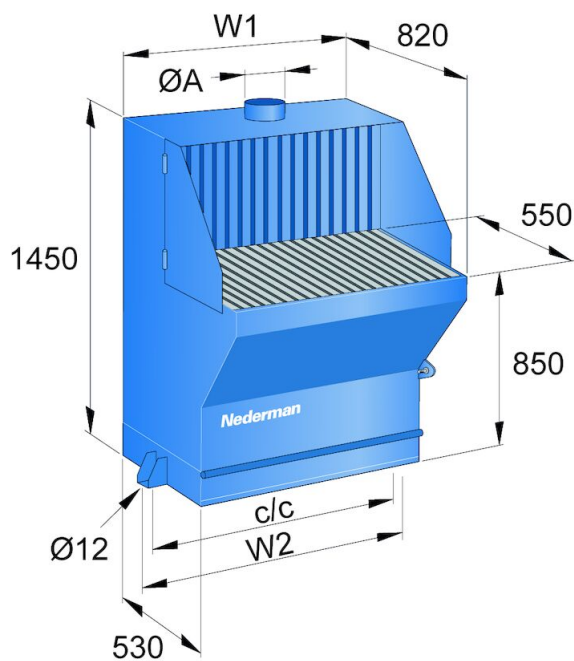
**Max. distributed load on the table - 500 Kg*

NOTE! Welding and Grinding Table is to be securely anchored to the foundation.

Welding and Grinding table



X: Airflow, m³/h, Y: Static pressure (Pa), A=900, B=1350, C=2000



| | W1 | W2 | c/c | ØA |
|------------|------|------|------|-------|
| table 900 | 900 | 1000 | 970 | 160 |
| table 1350 | 1355 | 1455 | 1425 | 250 |
| table 2000 | 2000 | 2100 | 2070 | 2x250 |