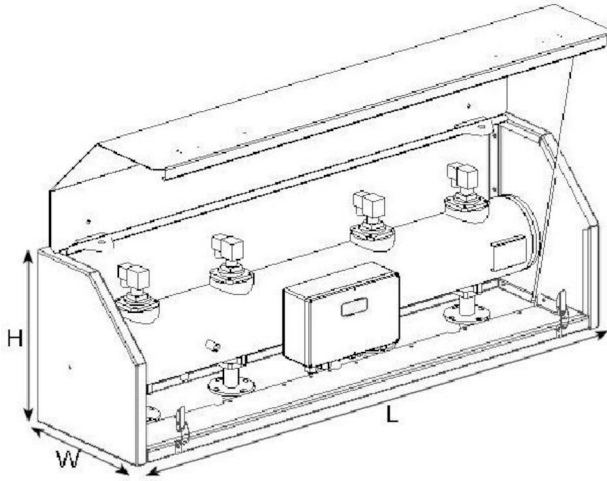


Insulation box for FM pressure tank



Noise reduction during cleaning pulse depending on filter element type and dust density.

Measured at 1 m distance in front of the filters

Light dust / thin filter material: 0 dB(A)

Heavy dust or thick filter material: more than 10 dB(A) for FMK25 Cassette Filter.


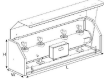
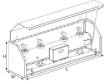
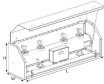
The insulation box may be equipped with trace heating cables for very cold environment.

Material: galv. steel plate.

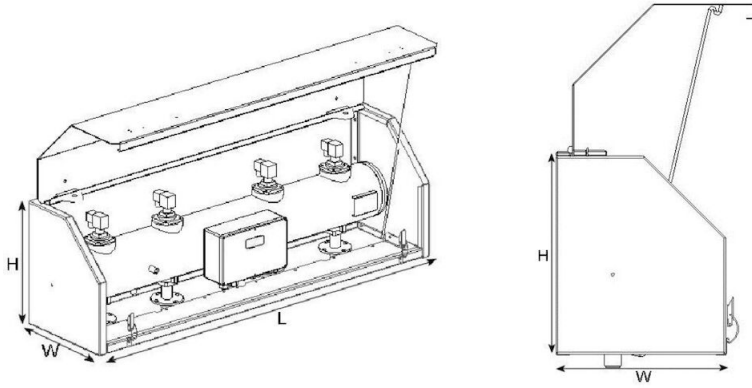
•

Produktnavn	Insulation box for FM pressure tank
-------------	-------------------------------------

Insulation box for FM pressure tank

Bilde	Navn på datablad	Vekt (kg)	Model
	Isolation box for FM pressure tank, 2 modules	21	5501317
	Isolation box for FM pressure tank, 4 modules	36	5501318
	Isolation box for FM pressure tank, 6 modules	52	5501319
	Isolation box for FM pressure tank, 6 modules	66	5501320

Insulation box for FM pressure tank



Type	Article no.	H (mm)	L (mm)	W (mm)
2 modules	5501317	400	630	340
4 modules	5501318	400	1280	340
6 modules	5501319	400	1930	340
8 modules	5501320	400	2580	340