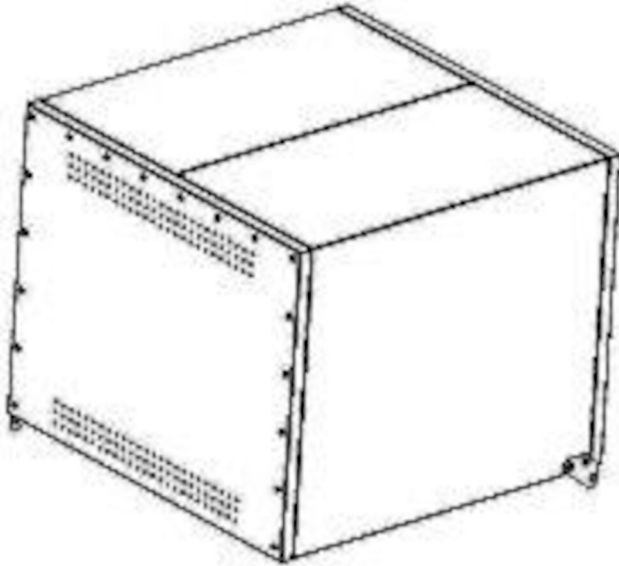


Noise enclosure for FM fans

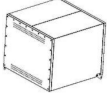
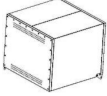
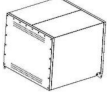


Both side panels with cooling air openings are de-mountable for access to the fan motor.

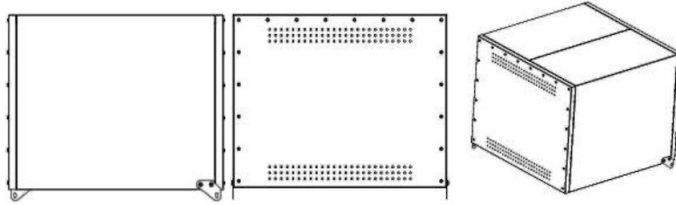
MNise level reduction for FM600 fan - 2 dB(A), for FM800 and FM1000 - 3 dB(A)

Product name	Noise enclosure for FM fans
--------------	-----------------------------

Noise enclosure for FM fans

Image	Description	Weight (kg)	Model
	Noise enclosure for FM800 fan	40	5501783
	Noise enclosure for FM800 fan	60	5501784
	Noise enclosure for FM1000 fan	65	5501799

Noise enclosure for FM fans



For FM type	Article no.	H (mm)	L (mm)	W (mm)
600	5501783	550	650	650
800	5501784	650	800	800
1000	5501799	695	800	800