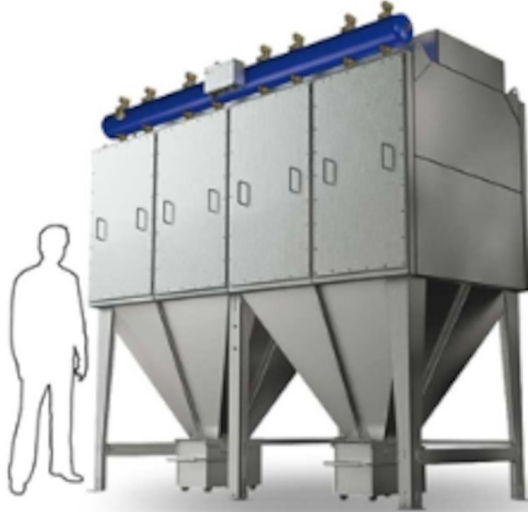


## FMKZ cassette filter, EX

Modular cassette dust collector, built for continuous use in industrial process filtration and dust collection applications



The FMK25 range is a reverse jet cassette dust collector. It was built for continuous use in industrial process filtration and dust collection applications. The FMK dust collector uses our long established fabric pocket cassette that is easily maintained through the front hinged doors. The cassette offers ample filter area and lasts longer than a cartridge.

Air Volume Range: 1.700 to 10.000 m<sup>3</sup>/hr (1,000 to 6,000 CFM)

Independently tested (FMKZ) with ATEX compliant features for explosive dusts

Tough galvanised steel construction.

Weatherproof for exposed locations.

Integral pre-separation chamber

All maintenance from unit front

Efficient cross flow / down flow inlet air pattern

Wide range of integral or remote fans

- Bulk materials handling – conveying, screening, sieving, mixing, bin/silo venting
- Building materials manufacture and distribution
- Building materials manufacture and distribution
- Processes with light or medium dust loading

Product name	FMKZ cassette filter, EX
Installation	ในอาคาร, นอกอาคาร
Material	Housing in galvanised sheet steel (2 mm)
Suitable for combustible dust	True
Application	ฝุ่น, ควัน
Dustbin volume (l)	50 or 100 l or whitout
Operating Temperature	-20 to 70 Deg. C.
Filter type	ถุงกรอง
Filter material	Polyester
Control Voltage (V)	230V / 110V



ควัน

ฝุ่น





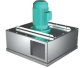

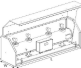
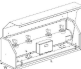



# FMKZ cassette filter, EX

Description	Number of filter elements	Weight (kg)	Part number
FMKZ25 - 2E with bin for discharge	4	232 (incl. 50l bin excl. fan)	FMKZ25-2Eb(4)
FMKZ25 - 2E with bin for discharge	6	235 (incl. 50l bin excl. fan)	FMKZ25-2Eb(6)
FMKZ25 - 4E with bin for discharge	4	423 (incl. 50l bin excl. fan)	FMKZ25-4Eb(4)
FMKZ25 - 4E with bin for discharge	6	430 (incl. 50l bin excl. fan)	FMKZ25-4Eb(6)
FMKZ25 - 6E with bin for discharge	4	655 (incl. 50l bin excl. fan)	FMKZ25-6Eb(4)
FMKZ25 - 6E with bin for discharge	6	665 (incl. 50l bin excl. fan)	FMKZ25-6Eb(6)
FMKZ25 - 8E with bin for discharge	4	845 (incl. 50l bin excl. fan)	FMKZ25-8Eb(4)
FMKZ25 - 8E with bin for discharge	6	860 (incl. 50l bin excl. fan)	FMKZ25-8Eb(6)
FMKZ25 - 2E hopper with flange for discharge	4	212 (excl. fan)	FMKZ25-2Ef(4)
FMKZ25 - 4E hopper with flange for discharge	4	403 (excl. fan)	FMKZ25-4Ef(4)
FMKZ25 - 4E hopper with flange for discharge	6	410 (excl. fan)	FMKZ25-4Ef(6)
FMKZ25 - 6E hopper with flange for discharge	4	615 (excl. fan)	FMKZ25-6Ef(4)
FMKZ25 - 6E hopper with flange for discharge	6	625 (excl. fan)	FMKZ25-6Ef(6)
FMKZ25 - 6E hopper with flange for discharge	4	805 (excl. fan)	FMKZ25-8Ef(4)
FMKZ25 - 6E hopper with flange for discharge	6	820 (excl. fan)	FMKZ25-8Ef(6)

## FMKZ cassette filter, EX

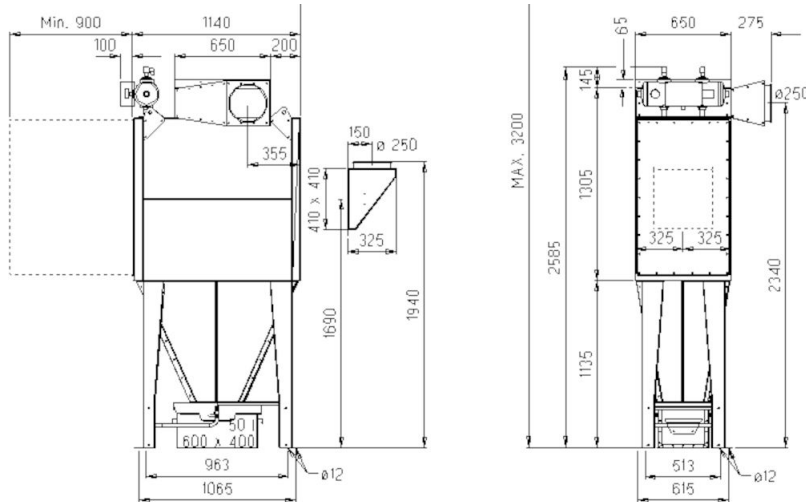
อุปกรณ์เสริม		หมายเลขชิ้นส่วน
	Damper type NFUS3	5501395
	Discharge bin 50 l with wheels	5501274
	Discharge bin 50 l without wheels	5501273
	Discharge bin 100 l with wheels	5501275
	Adaptor for bin with bag	5505033
	Adaptor for 50 l bin with bag incl. fitting	5505034
	Adaptor for 100 l bin with bag incl. fitting	5505035
	Hose set for bin balancing	5505041
	Single backpack for 4 modules	5509660
	Single backpack for 4 modules round inlet from the top	5501138
	Single backpack for 8 modules round inlet from the top pos L	5501169
	Double backpack for 4 modules	5509661
	Double backpack for 4 modules round inlet from the top	5501142
	Double backpack for 8 modules and round inlet from the top	5501175
	DUAL silencer for FM600 series fan with air grille	5501813
	DUAL silencer for FM6800 series fan with air grille	5501830
	DUAL silencer for FM1000 series fan with air grille	5501854
	DUAL silencer for FM600 series fan with air grille and rain cover	5501814
	DUAL silencer for FM6800 series fan with air grille and rain cover	5501832
	DUAL silencer for FM1000 series fan with air grille and rain cover	5501855
	DUAL silencer for FM600 series fan with flanged outlet for duct connection	5501815
	DUAL silencer for FM6800 series fan with flanged outlet for duct connection	5501833

## FMKZ cassette filter, EX

	อุปกรณ์เสริม	หมายเลขชิ้นส่วน
	DUAL silencer for FM1000 series fan with flanged outlet for duct connection	5501856
	Fan type FM622 (airflow optimum 3000 m3/h, Max 4000 m3/h)	FM622*
	Fan type FM625 (airflow optimum 4000 m3/h, Max 5000 m3/h)	FM625*
	Fan type FM825 (airflow optimum 5000 m3/h, Max 6000 m3/h)	FM825*
	Fan type FM831 (airflow optimum 7000 m3/h, Max 8000 m3/h)	FM831*
	Fan type FM835 (airflow optimum 9000 m3/h, Max 10000 m3/h)	FM835*
	Fan type FM1000 (airflow optimum 14000 m3/h, Max 16000 m3/h)	FM1000*
	Isolation box for FM pressure tank, 2 modules	5501317
	Isolation box for FM pressure tank, 4 modules	5501318
	Isolation box for FM pressure tank, 6 modules	5501319
	Isolation box for FM pressure tank, 6 modules	5501320
	Level sensor with beacon, 230V	5504475
	Cable gland M40 for levelsensor	5512245
	Noise enclosure for FM600 fan	5501783

\*The Part no. Needs to be identified depending on motor type

## FMKZ cassette filter, EX

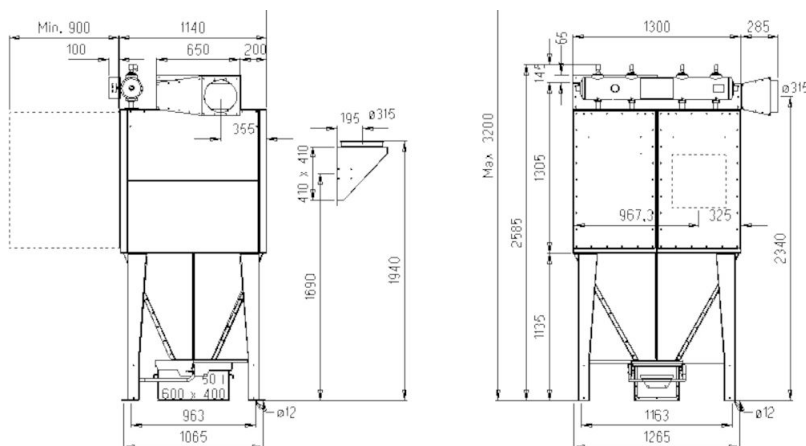


FMK(Z)25-2E Bin

All dimensions in mm.

If 50 liter bin with rollers, add 90 mm.

\* 65 mm to be included at top mounted fan



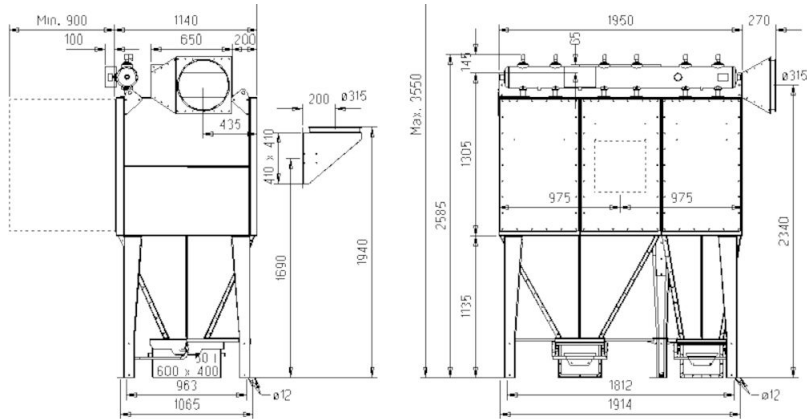
FMK(Z)25-4E Bin

All dimensions in mm.

If 50 liter bin with rollers, add 90 mm.

\* 65 mm to be included at top mounted fan

## FMKZ cassette filter, EX

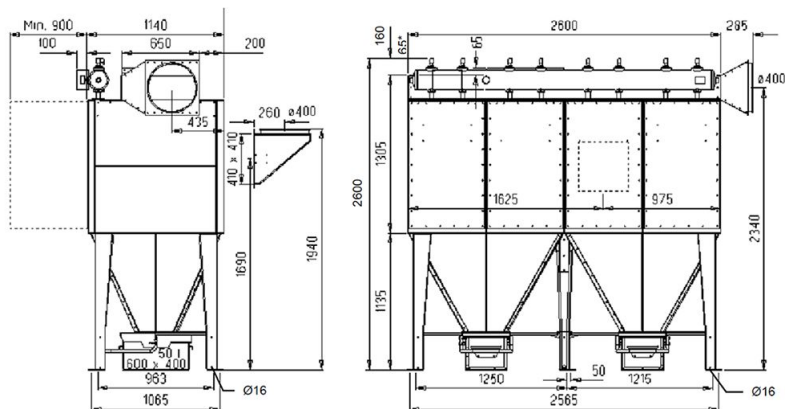


FMK(Z)25-6E Bin

All dimensions in mm.

If 50 liter bin with rollers, add 90 mm.

\* 65 mm to be included at top mounted fan



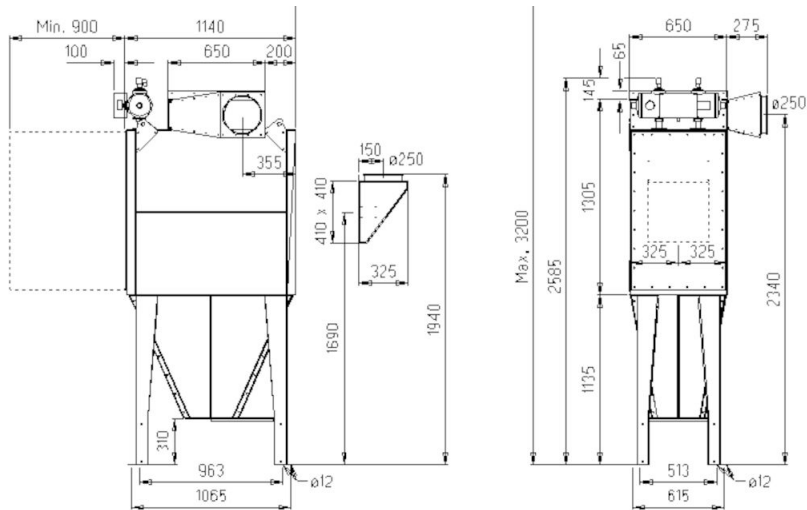
MK(Z)25-8E Bin

All dimensions in mm.

If 50 liter bin with rollers, add 90 mm.

\* 65 mm to be included at top mounted fan

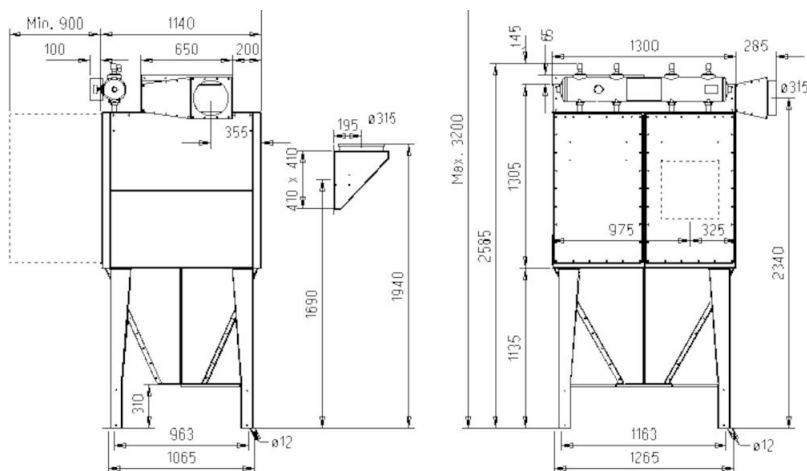
## FMKZ cassette filter, EX



FMK(Z)25-2E Flange

All dimensions in mm.

\* 65 mm to be included at top mounted fan.

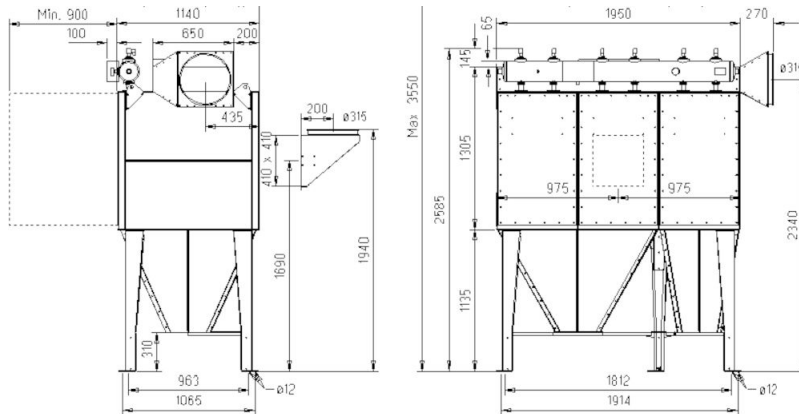


MK(Z)25-4E Flange

All dimensions in mm.

\* 65 mm to be included at top mounted fan.

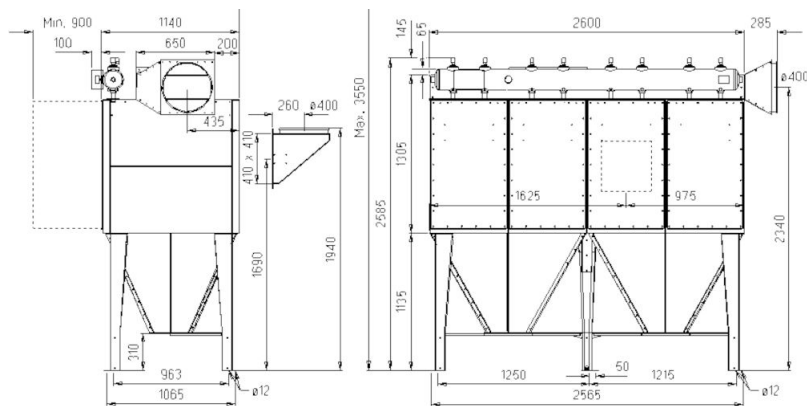
## FMKZ cassette filter, EX



FMK(Z)25-6E Flange

All dimensions in mm.

\* 65 mm to be included at top mounted fan.



MK(Z)25-8E Flange

All dimensions in mm.

\* 65 mm to be included at top mounted fan.