

## NRS 3, rotary valves

### Continuous emptying of the dust collector hopper

---



#### NRS3 rotary valve

The rotary valve type NRS3 is used for continuous emptying of material from the dust collector.

The rotary valve can be used for emptying of several non-adhesive material types. Max. particle size for the NRS3 is 3 x 3 x 10 mm (.1 x .1 x .4 in.)

#### NRS rotary valves 10, 20 and 30

The NRS type rotary valve is used to transfer material between two separate systems. In pneumatic conveying systems discharge is usually required from the filter or cyclone to the silo, at atmospheric pressure. This is an ideal application for the NRS type rotary valve.

The rotary valve can be used for most material types, though the particle size must not exceed 13 x 13 x 13 mm (.5 x .5 x .5 in.)

---

<b>Product name</b>	NRS 3, rotary valves
<b>Installation</b>	ในอาคาร, นอกอาคาร
<b>Material</b>	Heavy steel plate
<b>Application</b>	ฝุ่น
<b>Operating Temperature</b>	-20 to 40 Deg. C.



ฝุ่น

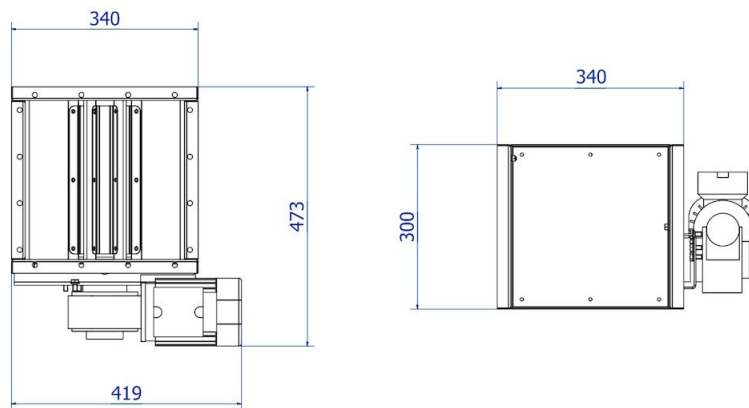
# NRS 3, rotary valves

## NRS 3, rotary valves

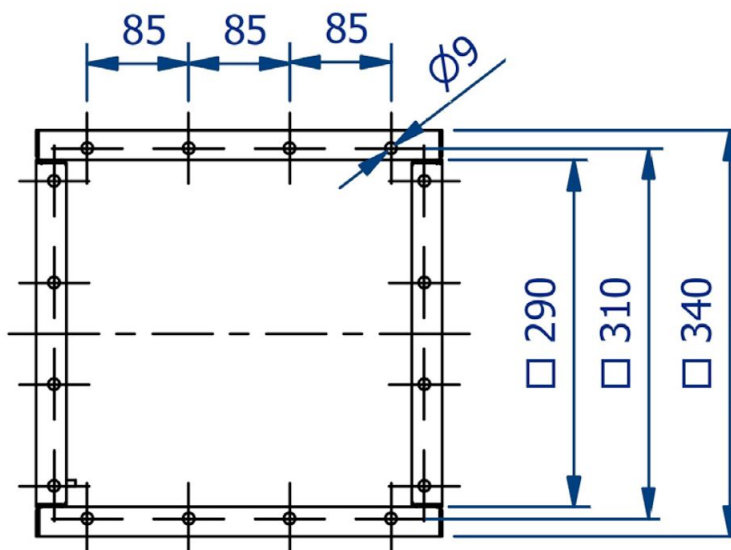
ID	Type-model	Blades material*	Installation zone	Capacity at 100% filling	Motor [kW]	Weight [kg]
399012.000	NRS 3-0	Rubber	-	2,3 m <sup>3</sup> /h	0,18	32
399012.001	NRS 3-0		Depends on motor	0,32 m <sup>3</sup> /h per RPM	none	22

List of types

\* Polyurethane blade aviable only on request



Dimensions NRS 3



Dimension inlet NRS3