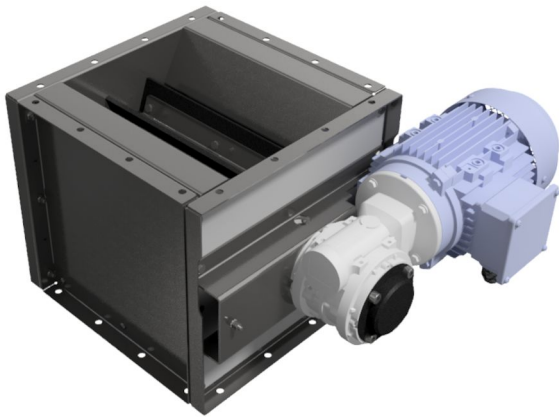


NRSZ 3, rotary valves

Continuously empty combustible dust from your dust collector



NRSZ3 rotary valve with ATEX certificate St1 and St2

The rotary valve type NRSZ3 is used for continuous emptying of material from the dust collector.

The rotary valve can be used for emptying of several non-adhesive material types. Max. particle size for the NRSZ3 is 3 x 3 x 10 mm (.1 x .1 x .4 in.)

Product name	NRSZ 3, rotary valves
Noise level (dB(A))	<70
Installation	[Indoor], [Outdoor]
Material	Heavy steel plate
Suitable for combustible dust	True
Application	[dust]
Operating Temperature	-20 to 40 Deg. C.
Weight (kg)	32
Power (kW)	0,18



NRSZ 3, rotary valves

[model]
5502157
5507226
5502158

NRSZ 3, rotary valves

List of Types:

ID	A	B*	C	D	E [kW]	F**	H [kg]
5502157	NRSZ 3-7	Rubber ¹⁾	Non-zone	2,3 m ³ /h	0,18	-	32
5507226	NRSZ 3-7 Cat 2		Zone 21			EX II 2DT4	
5502158	NRSZ 3-7 Cat 3		Zone 22			EX II 3DT4	

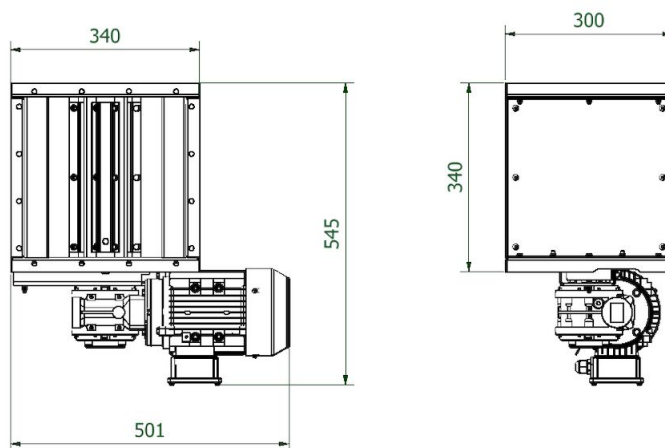
- A) Type-Model
- B) Blades Material, 1) Rubber
- *) Polyurethane blades available only on request.
- C) Installation zone exterior of NRSZ
- D) Capacity at 100% filling
- E) Motor
- F) Motor ATEX Marking
- ***) T4: Max. surface temperature 135°C.
- H) Weight

ATEX limitations NRSZ 3:

A	B*	p _{exp} ,max [kPa]		C [rpm]
		St1 Kst _{max} =20 MPa.m.s ⁻¹	St2 Kst _{max} =30 MPa.m.s ⁻¹	
NRSZ 3	Rubber ¹⁾	80	80	10

- A) Rotary valves type:
- B) Blade material, 1) Rubber
- *Polyurethane blades available only on request.
- C) Rotation speed max.

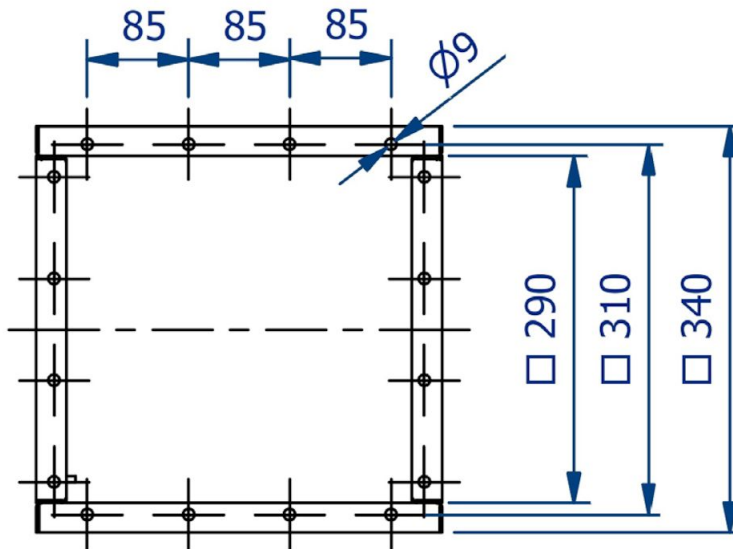
Dimensions NRS 3 / NRSZ 3



Dimensions NRS 3

NRSZ 3, rotary valves

Dimension inlet NRSZ3:



Dimension inlet NRSZ3