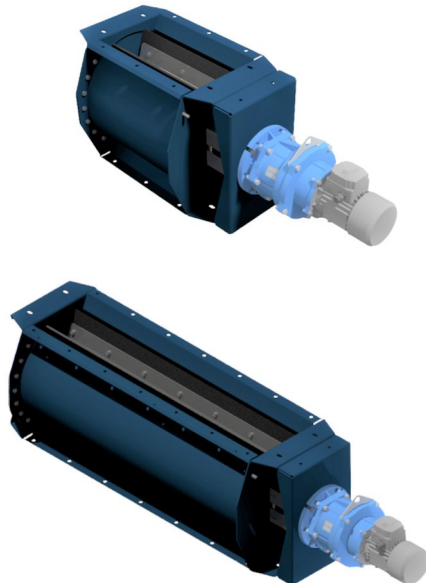


NRS rotary valves, type 4,10,20,30 and 10-Q

Continuous emptying of the dust collector hopper



The NRS type rotary valve is used to transfer material between two separate systems. In pneumatic conveying systems discharge is usually required from the filter or cyclone to the silo, at atmospheric pressure. This is an ideal application for the NRS type rotary valve.

The rotary valve can be used for most material types, though the particle size must not exceed 13 x 13 x 13 mm (.5 x .5 x .5 in).

The NRS type rotary valve is modular and robustly constructed in heavy steel plate. The rotor of each module is equipped with an elastic clutch. This reduces the possibility of damage in use and maximises the life of the unit. The rotor has special rubber seals, which provide an effective air lock between the inlet and the outlet.

- The NRS type rotary valve is used to transfer material between two separate systems. In pneumatic conveying systems discharge is usually required from the filter or cyclone to the silo, at atmospheric pressure. This is an ideal application for the NRS type rotary valve.

The rotary valve can be used for most material types, though the particle size must not exceed 13 x 13 x 13 mm (.5 x .5 x .5 in).

The NRS type rotary valve is modular and robustly constructed in heavy steel plate. The rotor of each module is equipped with an elastic clutch. This reduces the possibility of damage in use and maximises the life of the unit. The rotor has special rubber seals, which provide an effective air lock between the inlet and the outlet.

This type of rotary valve is also available in an ATEX certified version for explosive dusts type St1 and St2. The NRSZ is a protective system according to ATEX definition.

Product name	NRS rotary valves, type 4,10,20,30 and 10-Q
Installation	[Outdoor], [Indoor]
Material	Heavy steel plate
Application	[dust]
Operating Temperature	-20 to 40 Deg. C.
Weight (kg)	50



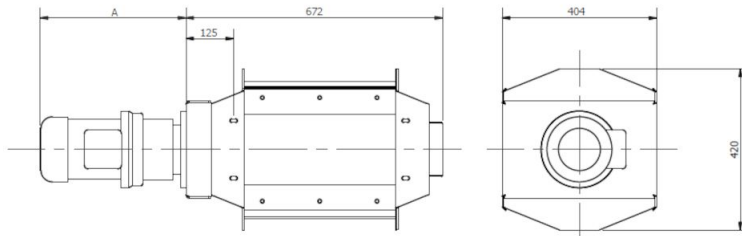
Dust

NRS rotary valves, type 4,10,20,30 and 10-Q

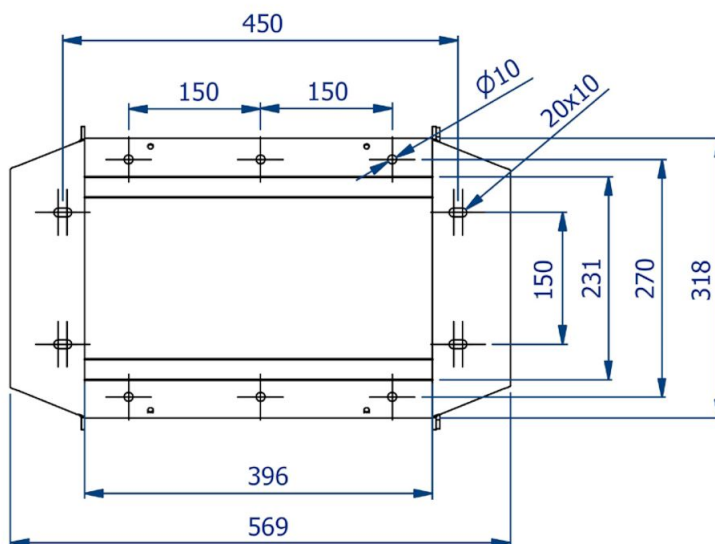
Power (kW)	[model]
none	73005330
0,18	73005331
0,75	73005332
none	73005338
0,75	73005339
none	73000553
0,75	73004927
none	73000554

NRS rotary valves, type 4, 10, 20, 30 and 10-Q

Dimensions NRS 4 / NRSZ 4

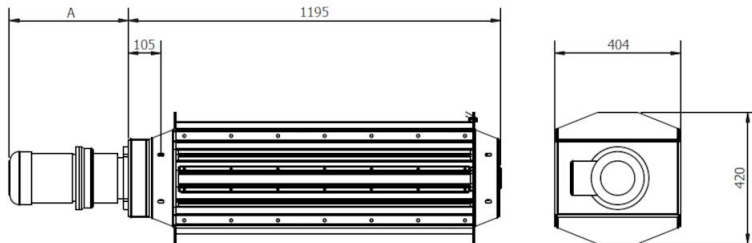


Dimensions inlet NRS 4 / NRSZ 4

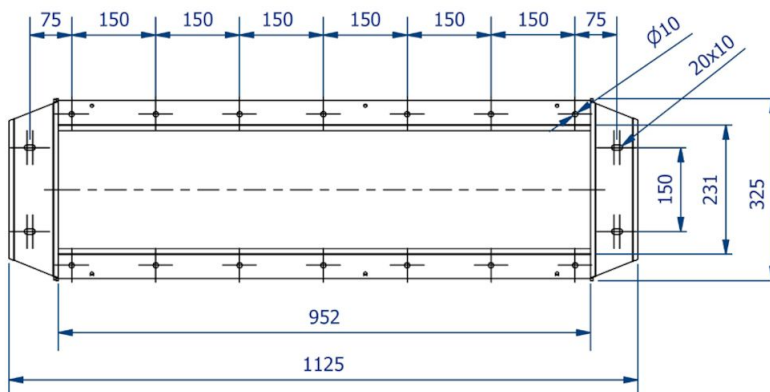


NRS rotary valves, type 4,10,20,30 and 10-Q

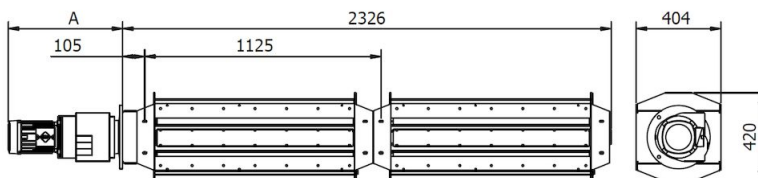
Dimensions NRS 10 / NRSZ 10



Dimensions inlet NRS 10 / NRSZ 10



Dimensions NRS 20 / NRSZ 20



NRS rotary valves, type 4,10,20,30 and 10-Q

Dimensions NRS 30 / NRSZ 30

