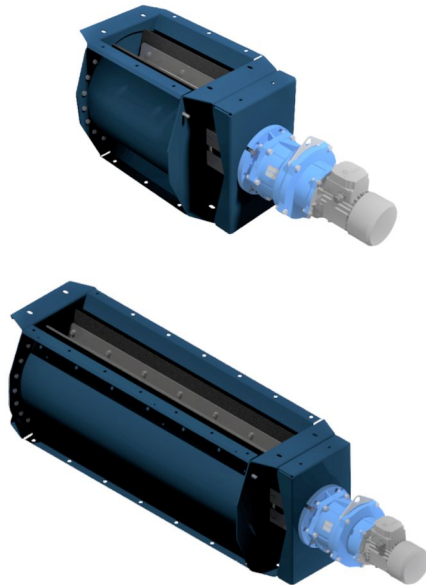


NRSZ rotary valves, type 4,10,20,30 and 10-Q

Continuously empty combustible dust from your dust collector



The NRSZ type rotary valve is used to transfer material between two separate systems. In pneumatic conveying systems discharge is usually required from the filter or cyclone to the silo, at atmospheric pressure. This is an ideal application for the NRSZ type rotary valve.

The rotary valve can be used for most material types, though the particle size must not exceed 13 x 13 x 13 mm (.5 x .5 x .5 in).

The NRSZ type rotary valve is modular and robustly constructed in heavy steel plate. The rotor of each module is equipped with an elastic clutch. This reduces the possibility of damage in use and maximises the life of the unit. The rotor has special rubber seals, which provide an effective air lock between the inlet and the outlet.

This type of rotary valve is a certified version for explosive dusts type St1 and St2. The NRSZ is a protective system according to ATEX definition.

Explosive dusts type St1 may have Kst up to 200 bar m/s.

Explosive dusts type St2 may have Kst up to 300 bar m/s.

Product name	NRSZ rotary valves, type 4,10,20,30 and 10-Q
Noise level (dB(A))	<70
Installation	[Outdoor], [Indoor]
Material	Heavy steel plate
Suitable for combustible dust	True
Application	[dust]
Operating Temperature	-20 to 40 Deg. C.
Weight (kg)	50



NRSZ rotary valves, type 4,10,20,30 and 10-Q

Power (kW)	[model]
none	73005385
none	73000051
0,18	73005386
0,18	73000054
0,75	73004929
0,75	73000057
none	73005394
0,18	73005395
0,75	73004930
none	73005408
0,75	73004931
none	73000555
0,75	73004932
none	7993455
1,1	73005405
0,18	73005391
0,18	73000056
0,75	73006346
0,75	73003000
0,75	73000059
0,75	73005401
0,75	73005400
0,75	73005402
1,1	73005407

NRSZ rotary valves, type 4,10,20,30 and 10-Q

ATEX limitations NRSZ 4, 10, 10-Q, 20 ,30:

A	B *	P _{ext,max} [kPa]		C [rpm]
		St1 Kst _{max} =20 MPa.m.s ⁻¹	St2 Kst _{max} =30 MPa.m.s ⁻¹	
NRSZ 4	Rubber	25	25	31
NRSZ 4	Polyurethane	60	60	31
NRSZ 10	Rubber	25	20	20
NRSZ 20		25	20	20
NRSZ 30		25	20	20
NRSZ 10-Q		25	not available	22

A) Rotary valves type:

B) Blade material, 1) Rubber

*Polyurethane blades available only on request.

C) Rotation speed max.

List of Types:

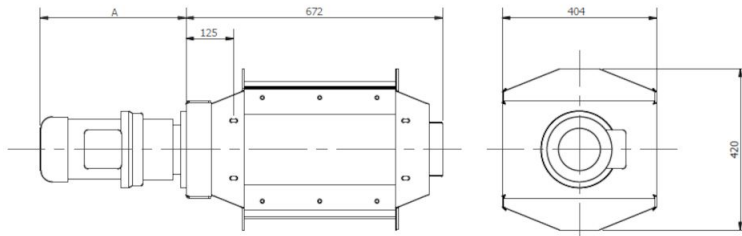
ID	A	B *	C	D	E [kW]	F **	H [kg]	
73005385	NRSZ 4-0	Rubber 1)	Depends on motor 3)	1,5 m ³ /h per RPM	none	-	50	
73000051	NRSZ 4-0	Polyurethane 2)		1,5 m ³ /h per RPM		-	50	
73005386	NRSZ 4-7	Rubber 1)	Non-zone 4)	10,5 m ³ /h	0,18	-	75	
73000054	NRSZ 4-7	Polyurethane 2)		10,5 m ³ /h		-	75	
73004929	NRSZ 4-32	Rubber 1)		48 m ³ /h at 32 RPM	0,75	-	69	
73000057	NRSZ 4-32	Polyurethane 2)		48 m ³ /h at 32 RPM		-	69	
73005394	NRSZ 10-0	Rubber 1)	Depends on motor 3)	3,5 m ³ /h per RPM	none	-	95	
73005395	NRSZ 10-7		Non-zone 4)	24,5 m ³ /h	0,18	-	130	
73004930	NRSZ 10-20		70 m ³ /h at 19 RPM	0,75	-	135		
73005408	NRSZ 20-0		Depends on motor 3)	7,0 RPM	none	-	221	
73004931	NRSZ 20-20		Non-zone 4)	140 m ³ /h at 19 RPM	0,75	-	243	
73000055	NRSZ 30-0		Depends on motor 3)	10,5 RPM	none	-	312	
73004932	NRSZ 30-20		Non-zone 4)	210 m ³ /h at 19 RPM	0,75	-	338	
7993455	NRSZ 10-Q-0		Depends on motor 3)	23,2 m ³ /h per RPM	none	-	290	
73005405	NRSZ 10-Q-20		Non-zone 4)	440 m ³ /h	1,1	-	330	
7993450	NRSZ 4-7 Cat 2		Rubber 1)	Zone 21	10,5 m ³ /h	0,18	EX II 2DT4	75
73000055	NRSZ 4-7 Cat 2		Polyurethane 2)	Zone 21			75	
73005391	NRSZ 4-7 Cat 3		Rubber 1)	Zone 22			EX II 3DT4	75
73000056	NRSZ 4-7 Cat 3	Polyurethane 2)	Zone 22	75				
73006346	NRSZ 4-32 Cat 2	Rubber 1)	Zone 21	48 m ³ /h	0,75	EX II 2DT4	69	
73000058	NRSZ 4-32 Cat 2	Polyurethane 2)	Zone 21			69		

List of Types:

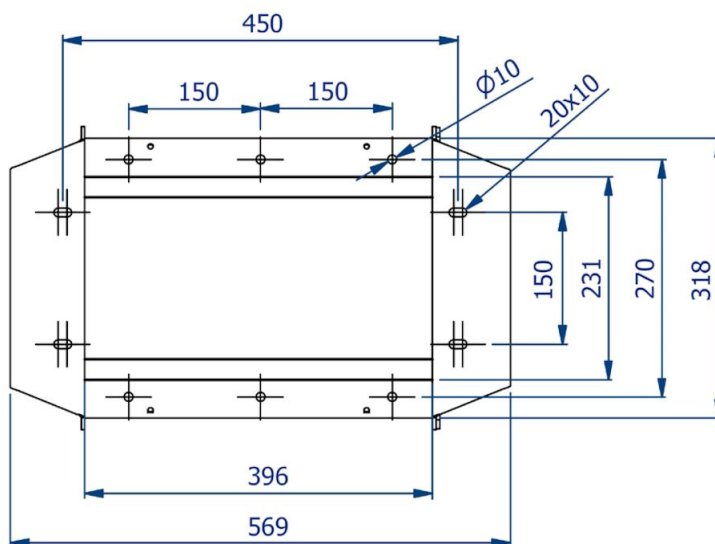
ID	A	B *	C	D	E [kW]	F **	H [kg]
73003000	NRSZ 4-32 Cat 3	Rubber 1)	Zone 22	48 m ³ /h	0,75	EX II 3DT4	69
73000059	NRSZ 4-32 Cat 3	Polyurethane 2)	Zone 22				69
7993453	NRSZ 10-7 Cat 2	Rubber 1)	Zone 21	24,5 m ³ /h	0,18	EX II 2DT4	130
73005401	NRSZ 10-7 Cat 3		Zone 22			EX II 3DT4	130
73005400	NRSZ 10-20 Cat 2		Zone 21	70 m ³ /h	0,75	EX II 2DT4	135
73005402	NRSZ 10-20 Cat 3		Zone 22			EX II 3DT4	135
7993457	NRSZ 20-20 Cat 2		Zone 21	140 m ³ /h	0,75	EX II 2DT4	243
7993458	NRSZ 20-20 Cat 3		Zone 22			EX II 3DT4	243
7993459	NRSZ 30-20 Cat 2		Zone 21	210 m ³ /h	0,75	EX II 2DT4	338
7993460	NRSZ 30-20 Cat 3		Zone 22			EX II 3DT4	338
73001327	NRSZ 10-Q-20 Cat 2		Zone 21	440 m ³ /h	1,1	EX II 2DT4	330
73005407	NRSZ 10-Q-20 Cat 3		Zone 22			EX II 3DT4	330

NRSZ rotary valves, type 4,10,20,30 and 10-Q

Dimensions NRS 4 / NRSZ 4

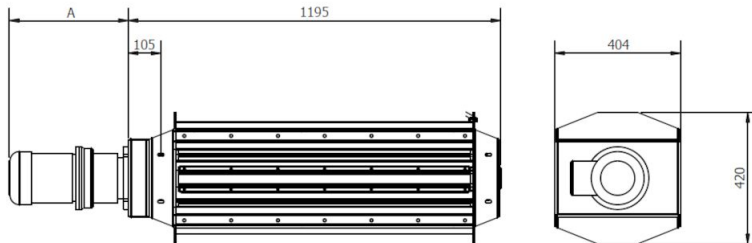


Dimensions inlet NRS 4 / NRSZ 4

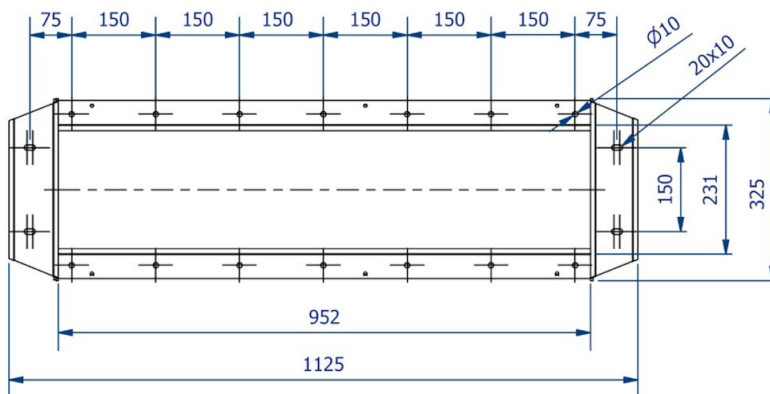


NRSZ rotary valves, type 4,10,20,30 and 10-Q

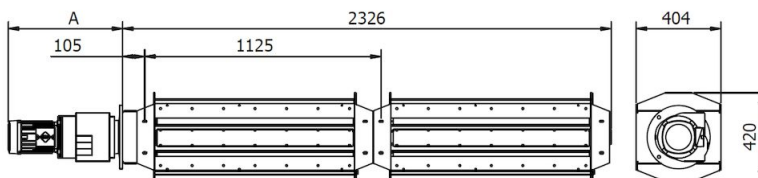
Dimensions NRS 10 / NRSZ 10



Dimensions inlet NRS 10 / NRSZ 10



Dimensions NRS 20 / NRSZ 20



NRSZ rotary valves, type 4,10,20,30 and 10-Q

Dimensions NRS 30 / NRSZ 30

