

SiloSafe Filter

Compact reverse jet tubular cartridge dust collector



Specifically suited for use on silos that are pneumatically filled

The SiloSafe compact reverse jet tubular cartridge dust collector, available as a venting filter or with an integral fan, was developed specifically for silo and bin venting applications – incorporating Nederman UniClean (patented) cartridge technology for maximum cleaning efficiency and extended life.

Air Volume Range: 2.600 m³/hr (1,500 CFM)

Key features

- Robust fully welded steel, hot dip galvanized construction
- Weatherproof for exposed locations
- High strength, independently tested to resist explosions, for ATEX compatibility
- Tough integral mounting flange
- Generous internal volume with 24m² filter area
- Low height, minimal visual impact
- Safe maintenance from clean air side

Typical applications

- Venting of pneumatically filled silos and bins
- Cement batching and distribution facilities
- Venting continuously filled silos and day bins

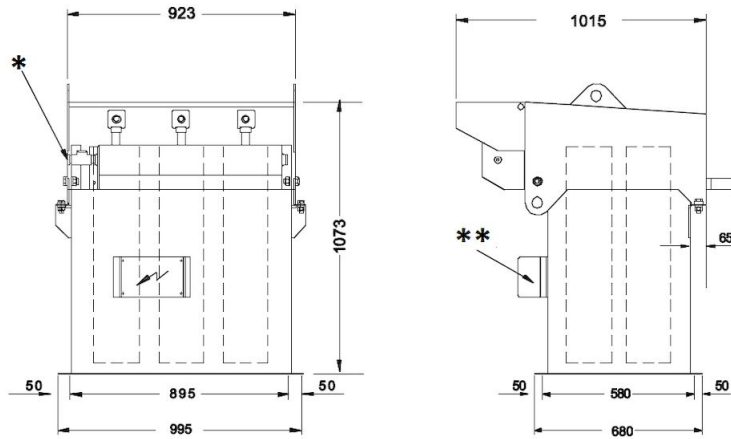
Product name	SiloSafe Filter
Installation	[Indoor], [Outdoor]
Material	4mm fully-welded steel
Suitable for combustible dust	True
Filter cleaning method	[ReverseAirPulse]
Application	[grit], [dust], [granulate]
Working pressure (kPa)	-8 / +2
Capacity (max airflow m³/h)	2600
Frequency (Hz)	50 / 60
Filter type	[cartridge]
Number of filter elements	6
Filter material	Polyester
Power (kW)	2,2



SiloSafe Filter

Power Voltage (V)	No of phases	Weight (kg)	[model]
220	1	125	SiloSafe 24
380 / 415	3	60	SiloSafe 24F

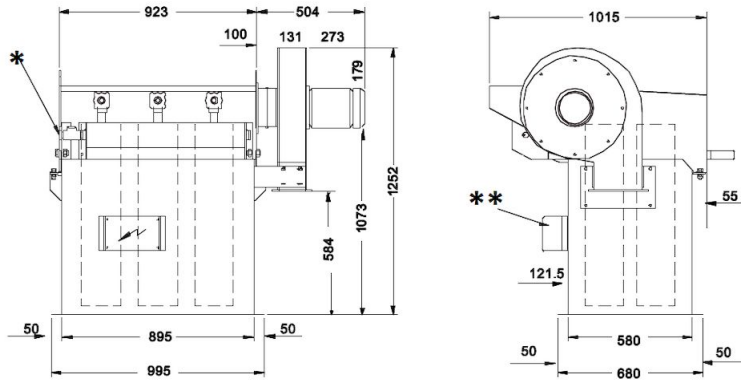
SiloSafe Filter



* 3/4" BSP Female connection for Air supply.

** Controller with IP65 enclosure & local isolator requiring 110V or 220 V supply

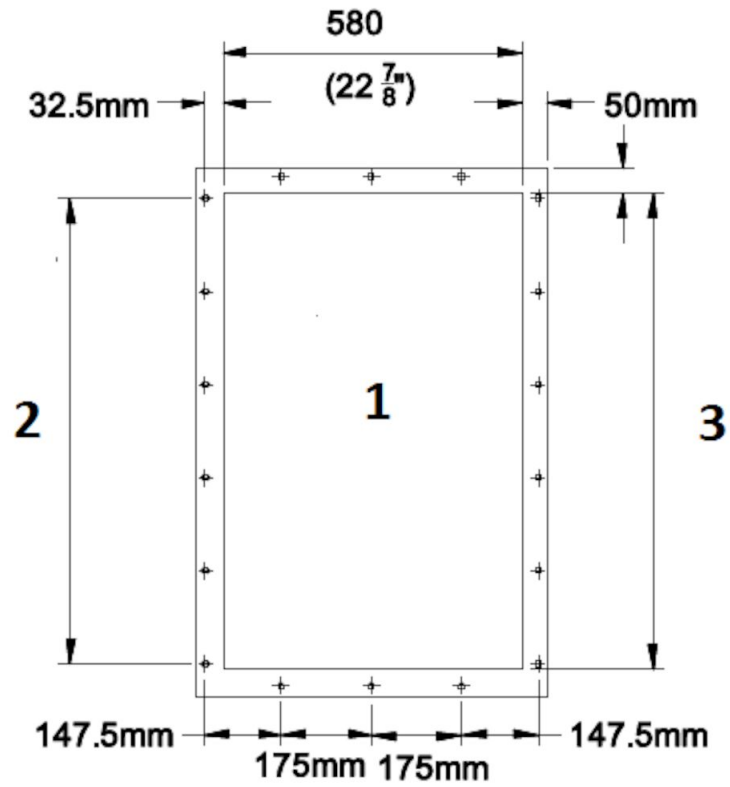
SiloSafe Filter



* 3/4" BSP Female connection for Air supply.

** Controller with IP65 enclosure & local isolator requiring 110V or 220 V supply

SiloSafe Filter



Filter mating Flange details:

1. 18 Holes 12 dia.
2. 5 pitch holes at 175 mm
3. 1 / Flange