

# SiloSafe Filter

Compact reverse jet tubular cartridge dust collector

---

## SiloSafe Filter



Specifically suited for use on silos that are pneumatically filled

The SiloSafe compact reverse jet tubular cartridge dust collector, available as a venting filter or with an integral fan, was developed specifically for silo and bin venting applications – incorporating Nederman UniClean (patented) cartridge technology for maximum cleaning efficiency and extended life.

Air Volume Range: 2.600 m<sup>3</sup>/hr (1,500 CFM)

### Key features

- Robust fully welded steel, hot dip galvanized construction
- Weatherproof for exposed locations
- High strength, independently tested to resist explosions, for ATEX compatibility
- Tough integral mounting flange
- Generous internal volume with 24m<sup>2</sup> filter area
- Low height, minimal visual impact
- Safe maintenance from clean air side

### Typical applications

- Venting of pneumatically filled silos and bins
- Cement batching and distribution facilities
- Venting continuously filled silos and day bins

- 
- Robust fully welded steel, hot dip galvanized construction. Weatherproof for exposed locations.
  - High strength, independently tested to resist explosions, for ATEX compatibility.
  - Tough integral mounting flange.
  - Low height, minimal visual impact.
  - Safe maintenance from clean air side.

Product name	SiloSafe Filter
Installation	[Indoor], [Outdoor]
Material	4mm fully-welded steel
Suitable for combustible dust	True
Filter cleaning method	Compressed air
Application	[grit], [dust], [granulate]
Working pressure (kPa)	-8 / +2
Filter Area (m <sup>2</sup> )	24
Capacity (max airflow m <sup>3</sup> /h)	2600
Frequency (Hz)	50 / 60
Filter type	[cartridge]
Number of filter elements	6
Filter material	Polyester
Power (kW)	2,2



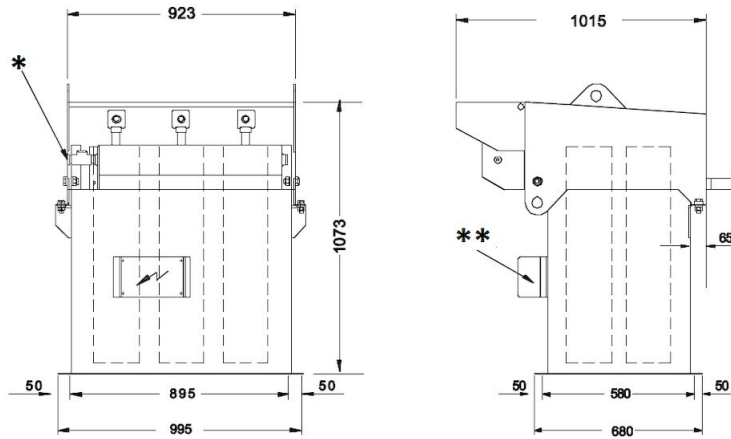
# SiloSafe Filter

Granulate Grit Dust

## SiloSafe Filter

Power Voltage (V)	No of phases	Weight (kg)	Model
220	1	210	SiloSafe 24
380 / 415	3	245	SiloSafe 24F

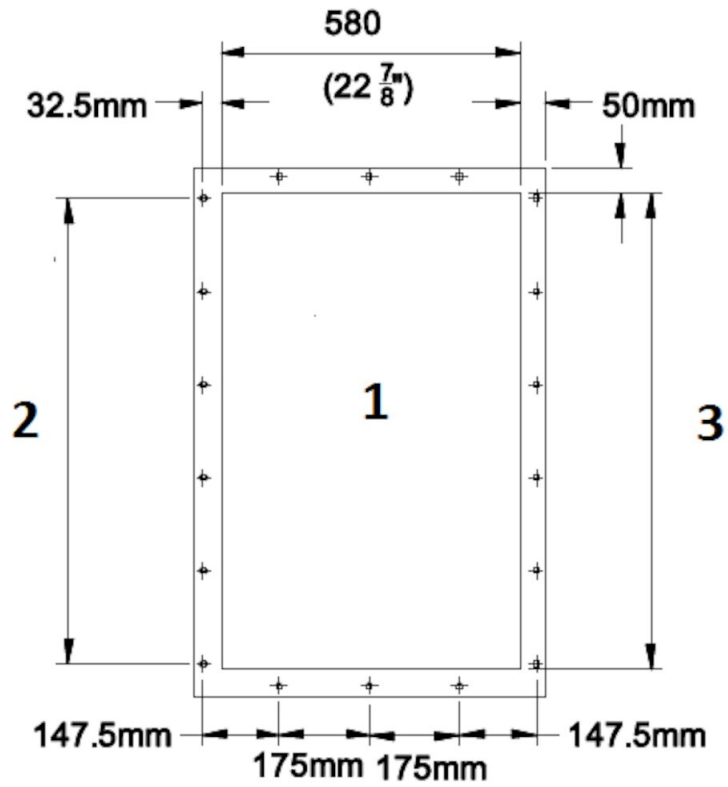
## SiloSafe Filter



\* 3/4" BSP Female connection for Air supply.

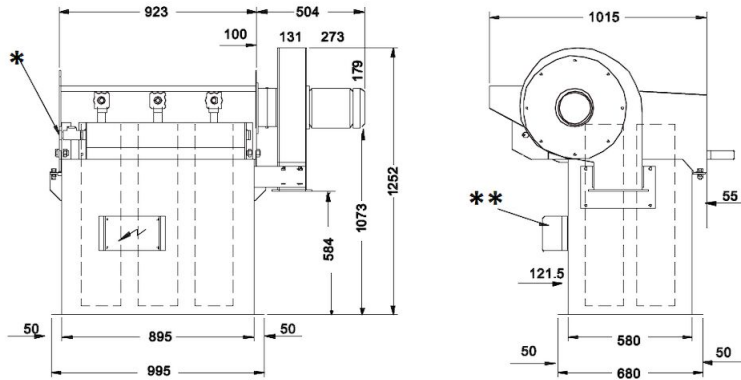
\*\* Controller with IP65 enclosure & local isolator requiring 110V or 220 V supply

## SiloSafe Filter



- Filter mating Flange details:
1. 18 Holes 12 dia.
  2. 5 pitches at 175 mm
  3. 1/ Flange

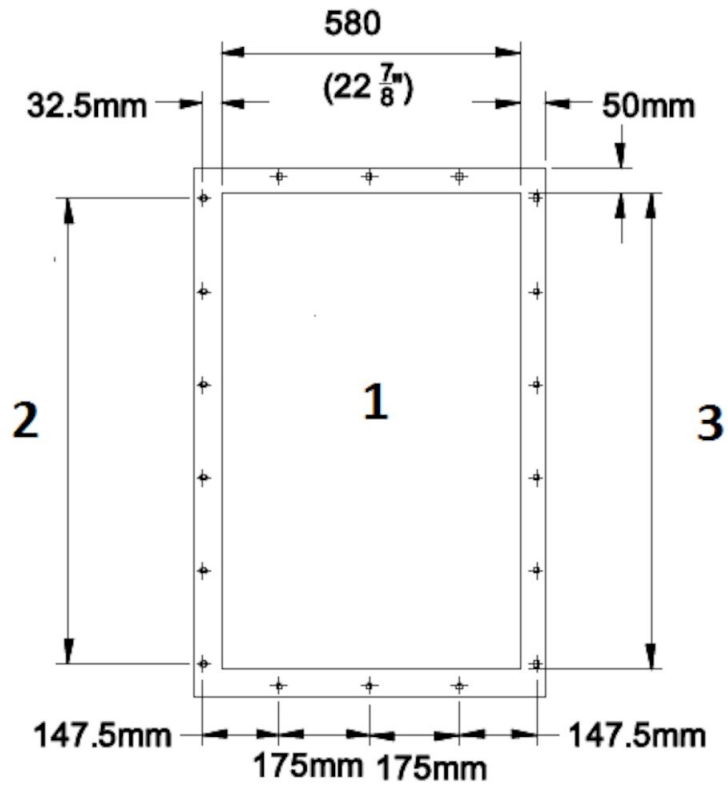
## SiloSafe Filter



\* 3/4" BSP Female connection for Air supply.

\*\* Controller with IP65 enclosure & local isolator requiring 110V or 220 V supply

## SiloSafe Filter



Filter mating Flange details:  
1. 18 Holes 12 dia.  
2. 5 pitches at 175 mm  
3. 1/ Flange