

## SiloSafe Filter

### Compact reverse jet tubular cartridge dust collector



Specifically suited for use on silos that are pneumatically filled. The SiloSafe compact reverse jet tubular cartridge dust collector, available as a venting filter or with an integral fan, was developed specifically for silo and bin venting applications – incorporating Nederman UniClean (patented) cartridge technology for maximum cleaning efficiency and extended life.

Typical applications for the SiloSafe filter are venting of pneumatically and continuously filled silos and bins, for cement batching and in distribution facilities.

- Robust fully welded steel, hot dip galvanized construction. Weatherproof for exposed locations.
- High strength, independently tested to resist explosions, for ATEX compatibility.
- Tough integral mounting flange.
- Low height, minimal visual impact.
- Safe maintenance from clean air side.

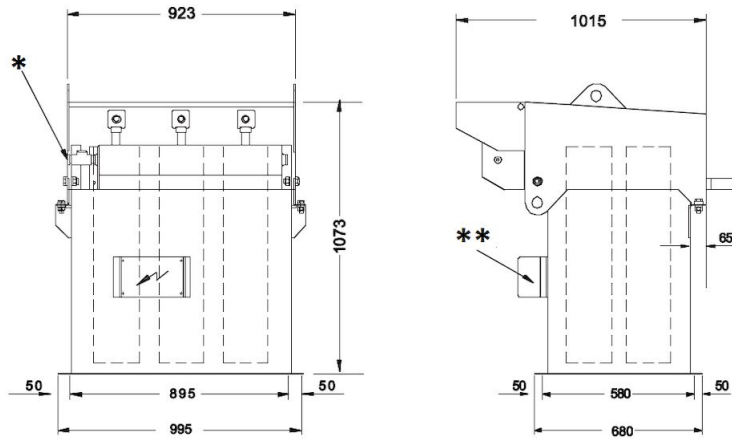
Nom du produit	SiloSafe Filter
Installation	Intérieur, Extérieur
Matériel	4mm fully-welded steel
Convient pour les poussières combustibles	True
Méthode de décolmatage	[CompressedAir]
Application	Abrasif, Poussière, Granulé
Pression de fonctionnement (kPa)	-8 / +2
Surface filtrante (m <sup>2</sup> )	24
Capacité (débit max m <sup>3</sup> /h)	2600
Fréquence (Hz)	50 / 60
Type de filtre	Filtre à cartouche
Nombre d'éléments filtrants	6
Média filtrant	Polyester
Puissance (kW)	2,2



# SiloSafe Filter

Tension (V)	Nombre de phases	Poids (kg)	[model]
220	1	210	SiloSafe 24
380 / 415	3	245	SiloSafe 24F

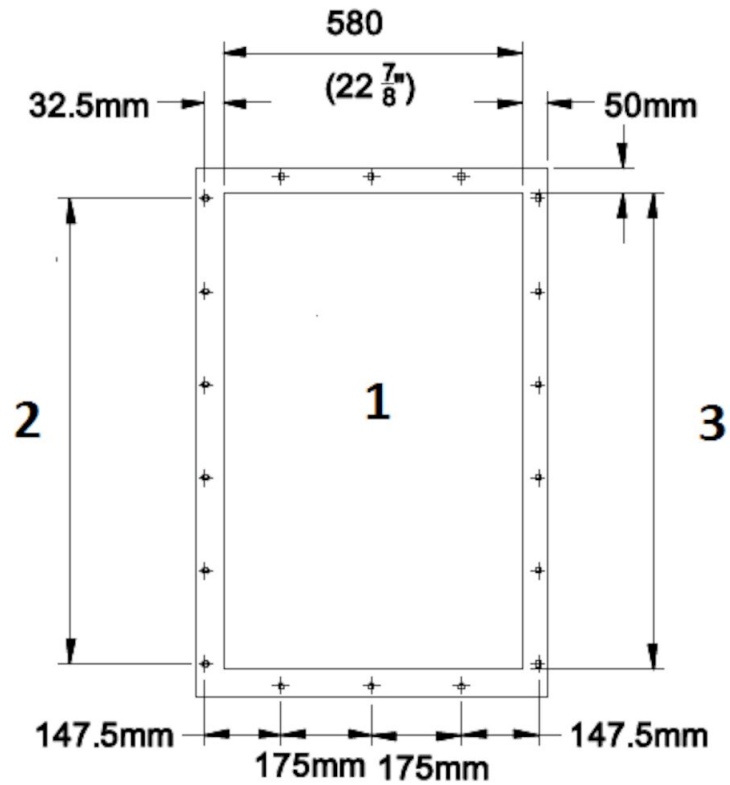
## SiloSafe Filter



\* 3/4" BSP Female connection for Air supply.

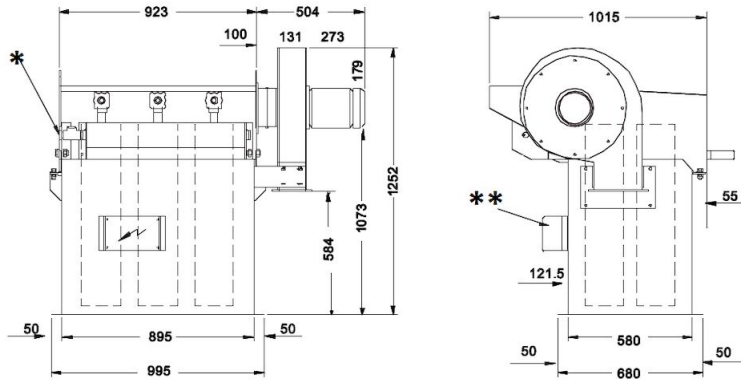
\*\* Controller with IP65 enclosure & local isolator requiring 110V or 220 V supply

## SiloSafe Filter



- Filter mating Flange details:
1. 18 Holes 12 dia.
  2. 5 pitchcs at 175 mm
  3. 1/ Flange

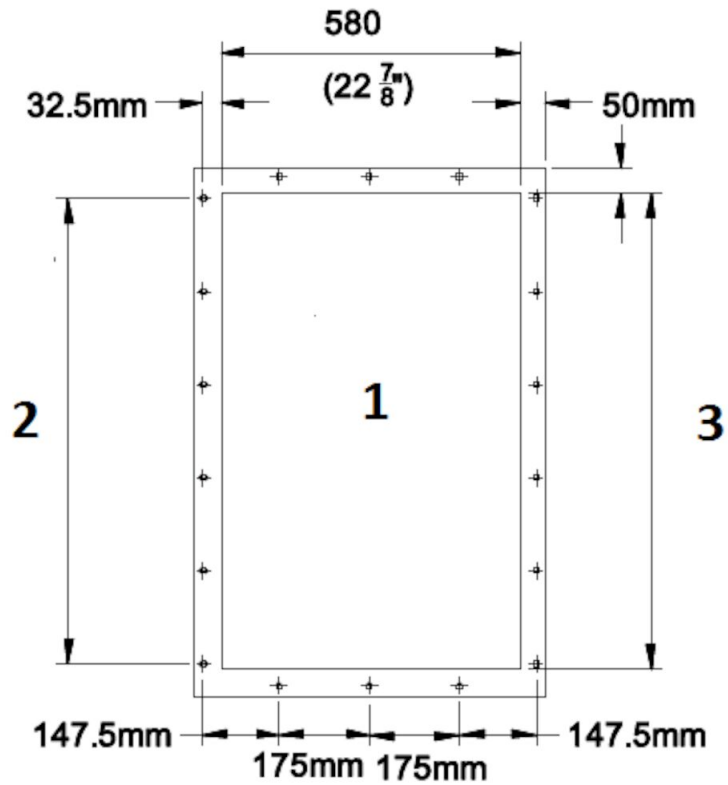
## SiloSafe Filter



\* 3/4" BSP Female connection for Air supply.

\*\* Controller with IP65 enclosure & local isolator requiring 110V or 220 V supply

## SiloSafe Filter



- Filter mating Flange details:
1. 18 Holes 12 dia.
  2. 5 pitches at 175 mm
  3. 1/ Flange