

600A EX

A Powerfull stationary dustcollector

600A EX



A Powerful stationary dustcollector, excellent high vacuum for suction over long horizontal and vertical distance.

You can choose a dustcollector with bigbagholder and counterweight discharge valve or a dustcollector with a manual discharge valve. Equipped with efficient and selfcleaning bag filters.

600A EX is category 2GD equipment according to directive 2014/34/EU. This means that it may be placed in areas classified as zone 21 or 1 according to directive 1999/92/EC. However, 600A EX may not be used to vacuum combustible material; they are only for use with non-combustible dusts. This is since they lack a protection system to limit the effects of an internal explosion, hence the X in ATEX marking.

ATEX approved equipment: II 2GD c IIB 60°C (T6) X

- A Powerful stationary dustcollector, excellent high vacuum for suction over long horizontal and vertical distance.

You can choose a dustcollector with bigbagholder and counterweight discharge valve or a dustcollector with a manual discharge valve. Equipped with efficient and selfcleaning bag filters.

600A EX is category 2GD equipment according to directive 2014/34/EU. This means that it may be placed in areas classified as zone 21 or 1 according to directive 1999/92/EC. However, 600A EX may not be used to vacuum combustible material; they are only for use with non-combustible dusts. This is since they lack a protection system to limit the effects of an internal explosion, hence the X in ATEX marking.

ATEX approved equipment: II 2GD c IIB 60°C (T6) X

- Very powerful and reliable ejector as vacuum producer
- Very powerful and reliable ejector as vacuum producer
- Legs with two height options

Product name	600A EX
Installation	[Indoor]
Filter cleaning method	Compressed air
Application	[dust], [granulate], [grit], [swarf]
Dustbin volume (l)	146
Filter Area (m ²)	2,5
Filter type	[bag]
Filter material	Antistatic Polyester
Compressed air requirement	5,3 Nm ³ /min
Max airflow (m ³ /h)	318
Noise level (dB(A))	75

600A EX

Max vaccum (kPa)	-78
Inlet	76 mm (reducer to ø 51 mm included)
Weight (kg)	240
Hose length (m)	10
Hose diameter (mm)	51
Note	ATEX - EX II 2 GD c IIB 60°C(T6) (Not for combustible dust)



Granulate



Grit





Swarf



Dust



600A EX

Image	Description	Model
	600A EX, NE74, 1 quick coupling, with manual discharge valve	42260000*
	600A EX, NE74, 1 quick coupling, with bigbag holder and counterweight discharge valve	42260001*

*ATEX - EX II 2 GD c IIB 60°C(T6) (Not for combustible dust)

600A EX

	Accessory	Part No
	Hose PU12 Ø 51 L=10m w. couplers	43832200*
	Floor nozzle, width 400 mm with large rubber wheels	43840250**
	Elbow pipe, Ø51 mm	43842150***
	Bulk nozzle Length 910 mm	43850001****
	Scraper nozzle, length: 500 mm	43851050***
	Hand nozzle, soft brush Ø90 mm	43860200****
	Cone nozzle Length 250 mm	43862001***
	Reducer conical d76-51, Acid stainless steel	43880300
	Abr plate for silo S200, inside 210x643 (R280)	43627001

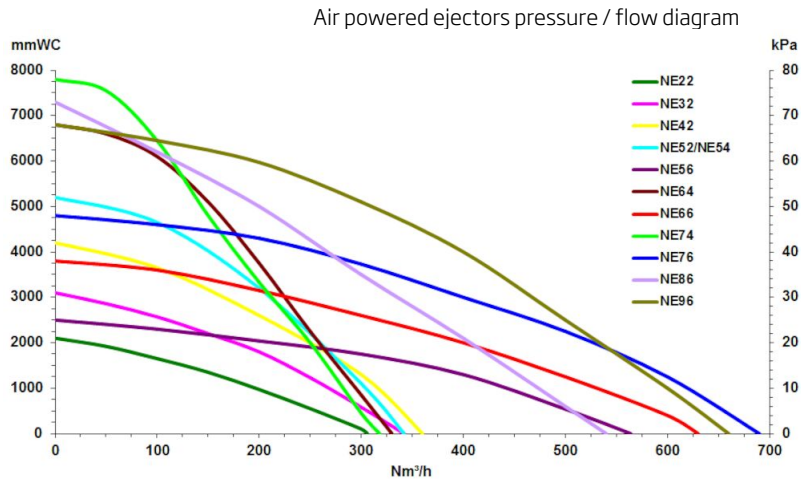
*Couplings included, Ø51 mm

**ATEX - This product is suitable to be used as cleaning equipment for combustible dusts with MIE (minimum ignition energy) >1 mJ. Product is to be properly earthed to the extraction unit. Not for usage in combustible gas atmospheres or extraction of explosive materials.

***ATEX - Suitable for combustible dust (zone 20,21,22) and gas (zone 1,2) of group IIA, IIB and IIC. Ensure earthing to extraction unit. Not to be used for extraction of explosive materials

****ATEX - Suitable for combustible dust with MIE (minimum ignition energy) < 1mJ. Ensure earthing to extraction unit. Not to be used in combustible gas atmospheres or extraction of explosive materials

600A EX



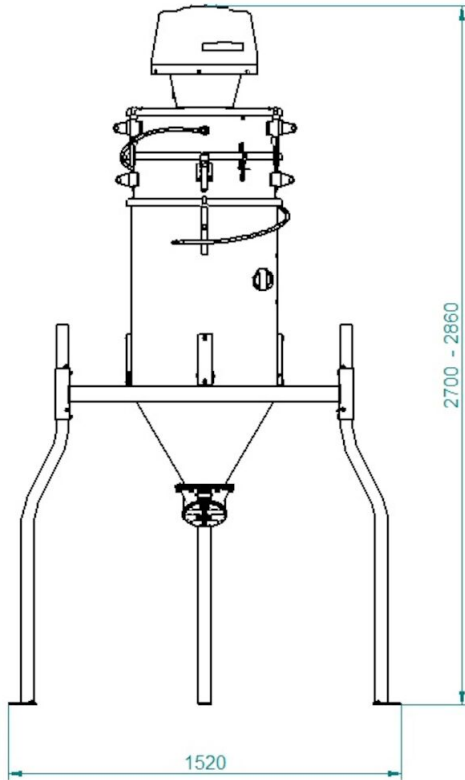
Air Powered ejectors

All performance data are based on 7 bar supply pressure

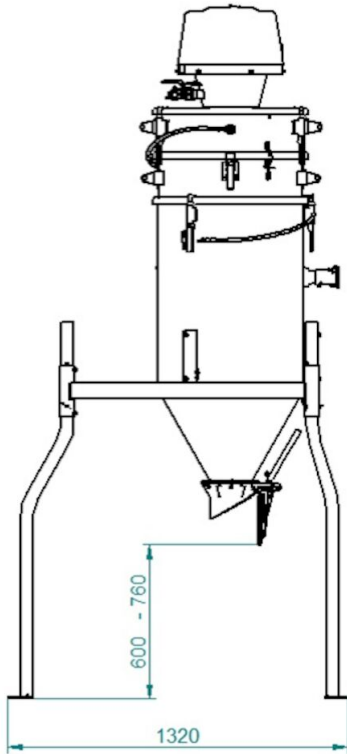
Necessary hose dimension for compressed air line								
Vacuum producer	Standard suction hose diameter (mm)	Distance from compressor (m)						
		12mm (1/2")	20mm (3/4")	25mm (1")	32mm (1 1/4")	38mm (1 1/2")	51mm (2")	63mm (2 1/2")
NE14	38	1-8	9-58	59-200	201+			
NE22	51	1-8	9-58	59-200	201+			
NE32	51		2-22	23-69	70-110	111+		
NE42	51		1-8	9-41	42-100	101+		
NE52	51		1-6	7-29	30-70	71-160	161+	
NE56	63		1-7	8-39	40-90	91-190	191+	
NE64	76			1-21	22-41	42-102	103+	
NE66	63			1-25	26-47	48-150	151+	
NE74	76			1-15	16-31	32-63	64+	
NE76	76			1-14	15-30	31-71	72+	
NE96	76			1-4	5-11	12-32	33-125	126+

Necessary hose dimension for compressed air line

600A EX



600A EX



600A EX

