

Industrial vacuum cleaner 600A EX

A powerful stationary dust collector



A powerful stationary dust collector, excellent high vacuum for suction over long horizontal and vertical distance.

You can choose a dust collector with bigbag holder and counterweight discharge valve or a dust collector with a manual discharge valve. Equipped with efficient and self-cleaning bag filters.

600A EX is category 2GD equipment according to directive 2014/34/EU. This means that it may be placed in areas classified as zone 21 or 1 according to directive 1999/92/EC. However, 600A EX may not be used to vacuum combustible material; they are only for use with non-combustible dusts. This is since they lack a protection system to limit the effects of an internal explosion, hence the X in ATEX marking.

ATEX approved equipment: II 2GD c IIB 60°C (T6) X

- Robust and efficient self-cleaning filter
- Very powerful and reliable ejector as vacuum producer
- Very powerful and reliable ejector as vacuum producer
- Legs with two height options



Product name	Industrial vacuum cleaner 600A EX
Installation	Indoor
Filter cleaning method	Compressed air
Application	Dust, Granulate, Grit, Swarf
Dustbin volume (l)	146
Filter Area (m ²)	2,5
Filter type	Bag
Filter material	Antistatic Polyester
Compressed air requirement	5,3 Nm ³ /min
Max airflow (m ³ /h)	318
Noise level (dB(A))	75
Max vacuum (kPa)	-78
Inlet	76 mm (reducer to ø 51 mm included)
Weight (kg)	240
Hose length (m)	10
Hose diameter (mm)	51
Note	ATEX - EX II 2 GD c IIB 60°C(T6) (Not for combustible dust)



Granulate Grit Swarf Dust



Industrial vacuum cleaner 600A EX

Image	Description	Model
	600A EX, NE74, 1 quick coupling, with manual discharge valve	42260000*
	600A EX, NE74, 1 quick coupling, with bigbag holder and counterweight discharge valve	42260001*

*ATEX - EX II 2 GD c IIB 60°C(T6) (Not for combustible dust)

Industrial vacuum cleaner 600A EX

	Accessory	Part No
	Hose PU12 Ø 51 L=10m w. couplers	43832200*
	Floor nozzle, width 400 mm with large rubber wheels, Ø51	43840250**
	Elbow pipe, Ø51 mm	43842150***
	Bulk nozzle Length 910 mm, Ø51	43850001****
	Scraper nozzle, length: 500 mm Ø51	43851050***
	Hand nozzle, soft brush Ø90 mm	43860200****
	Cone nozzle Length 250 mm, Ø51	43862001*****
	Reducer conical d76-51, Acid stainless steel	43880300
	Abr plate for silo S200, inside 210x643 (R280)	43627001

*Couplings included, Ø51 mm

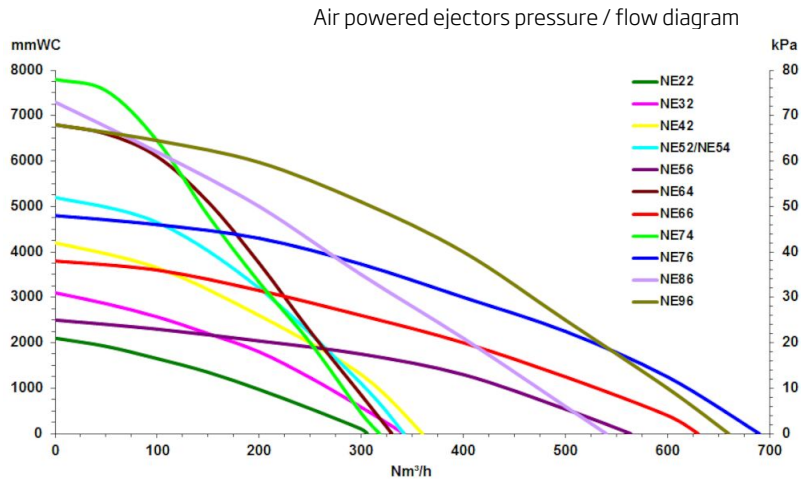
**ATEX - This product is suitable to be used as cleaning equipment for combustible dusts with MIE (minimum ignition energy) >1 mJ. Product is to be properly earthed to the extraction unit. Not for usage in combustible gas atmospheres or extraction of explosive materials.

***ATEX - Suitable for combustible dust (zone 20,21,22) and gas (zone 1,2) of group IIA, IIB and IIC. Ensure earthing to extraction unit. Not to be used for extraction of explosive materials

****ATEX - Suitable for combustible dust (zone 20,21,22). Ensure earthing to extraction unit. Not to be used in combustible gas atmospheres or extraction of explosive materials.

*****ATEX - Suitable for combustible dust (zone 20,21,22) and gas (zone 1,2) of group IIA, IIB and IIC. Ensure earthing to extraction unit. Not to be used for extraction of explosive materials.

Industrial vacuum cleaner 600A EX



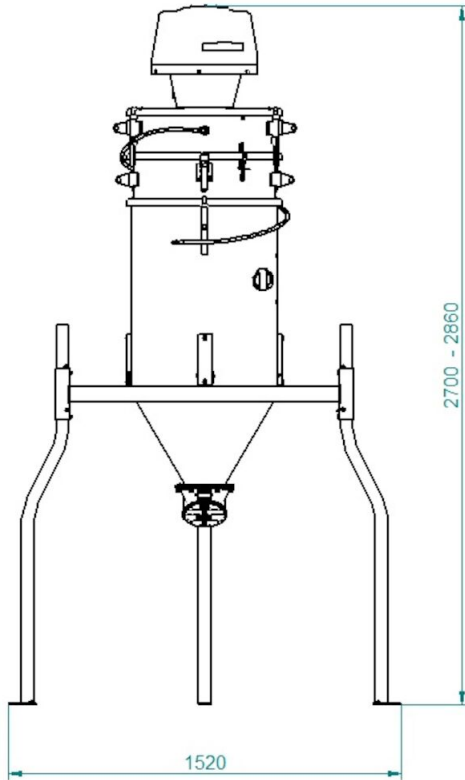
Air Powered ejectors

All performance data are based on 7 bar supply pressure

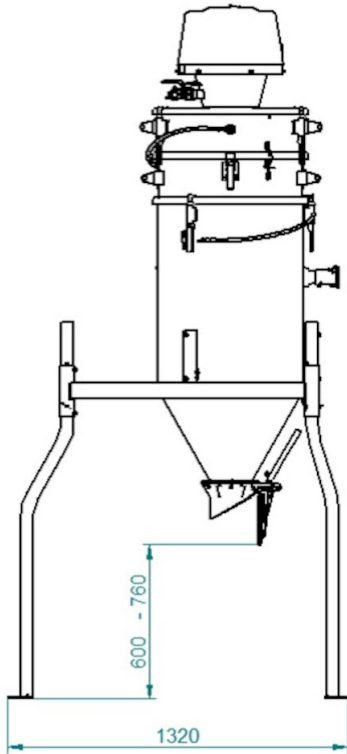
Necessary hose dimension for compressed air line								
Vacuum producer	Standard suction hose diameter (mm)	Distance from compressor (m)						
		12mm (1/2")	20mm (3/4")	25mm (1")	32mm (1 1/4")	38mm (1 1/2")	51mm (2")	63mm (2 1/2")
NE14	38	1-8	9-58	59-200	201+			
NE22	51	1-8	9-58	59-200	201+			
NE32	51		2-22	23-69	70-110	111+		
NE42	51		1-8	9-41	42-100	101+		
NE52	51		1-6	7-29	30-70	71-160	161+	
NE56	63		1-7	8-39	40-90	91-190	191+	
NE64	76			1-21	22-41	42-102	103+	
NE66	63			1-25	26-47	48-150	151+	
NE74	76			1-15	16-31	32-63	64+	
NE76	76			1-14	15-30	31-71	72+	
NE96	76			1-4	5-11	12-32	33-125	126+

Necessary hose dimension for compressed air line

Industrial vacuum cleaner 600A EX



Industrial vacuum cleaner 600A EX



Industrial vacuum cleaner 600A EX

