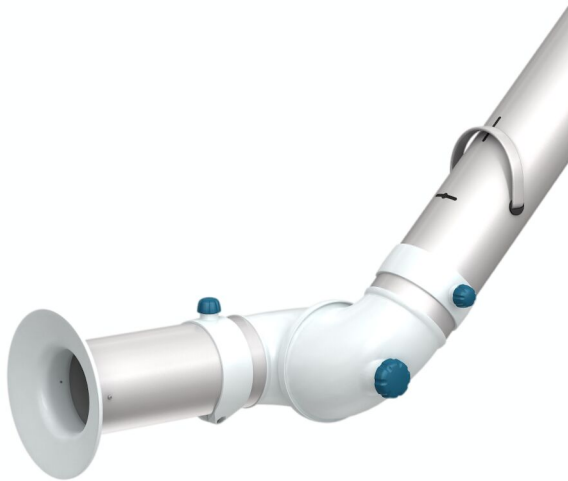


## BenchTop Extraction Arm FX2 75 Original

The best and most cost-efficient solution for extraction of hazardous airborne contaminants, in applications where small, flexible and easy-to-use arms are required.



Nederman FX2 arms are made of lightweight anodized aluminium sections, with three adjustable, composite friction joints. Offering strength and durability combined with easy handling, they can be used in many types of environment. They are especially suitable for applications where small, flexible and easy-to-use arms are required. A robust and reliable all-round arm for general applications where there is little risk of electrical discharges or attack by aggressive chemicals.



- Optimal efficiency and low noise provides safe and quiet working environment
- Ceilings, walls and floors or fixed to worktops mountings and cut2fit extension profile gives maximum installation flexibility
- The two outermost arm joints can rotate and swivel through 360°, which gives the unique maneuverability
- The lean, smooth and aesthetic design allows arms to fit in well in any environment without compromising its durability and reliability
- Highly integrated products that save customers' time and costs, as well as providing the reliability and functionality to deliver a better performance

Nom du produit	BenchTop Extraction Arm FX2 75 Original
Niveau sonore (dB(A))	58 dB(A) at 240 m3/h
Installation	Intérieur
Matériel	Réalisé en profils d'aluminium anodisé joints en PP (polypropène) Raccords de tuyaux en EPDM (caoutchouc)
Température de la fumée	max 70°C
Diamètre du bras d'extraction (mm)	75
Débit (m <sup>3</sup> /h)	110-240

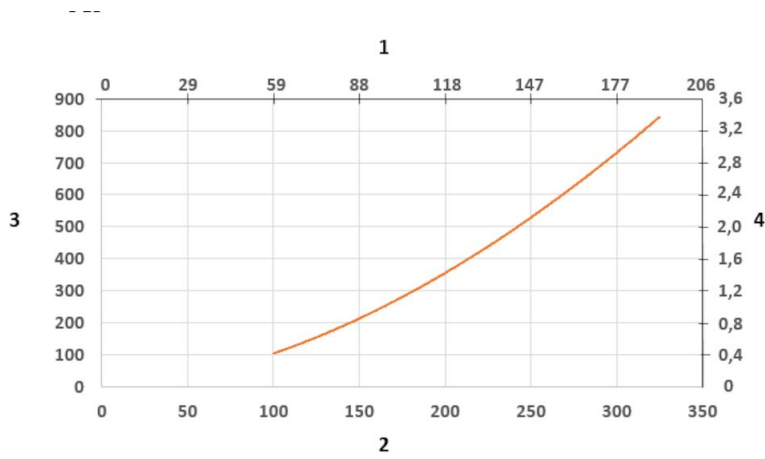


# BenchTop Extraction Arm FX2 75 Original

## BenchTop Extraction Arm FX2 75 Original

[accessory]		[partno]
	Hotte combinée FX-ORIGINAL-D50/75/100	70500144
	Hotte métallique FX-ORIG/CHEM-D50/75/100	70500444

## BenchTop Extraction Arm FX2 75 Original



Pressure Drop diagram:

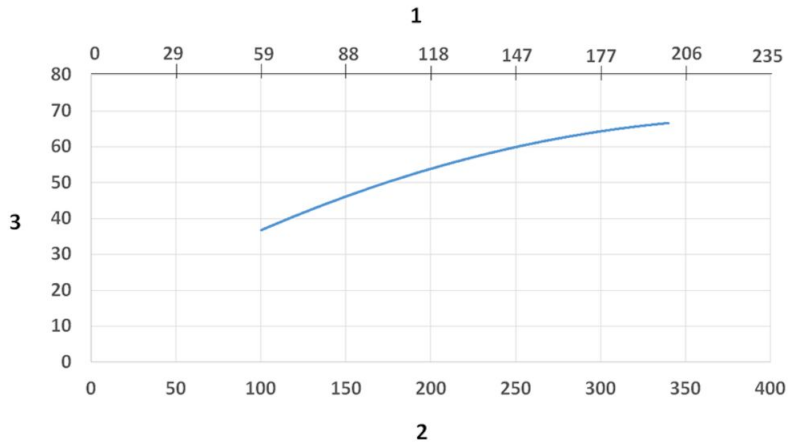
1) X- Axis: Air Flow Rate (cfm)

2) X- Axis: Air Flow Rate (m/h)

3) Y- Axis: Static Pressure Drop (Pa)

4) Y- Axis: Static Pressure Drop (in. wg.)

## BenchTop Extraction Arm FX2 75 Original



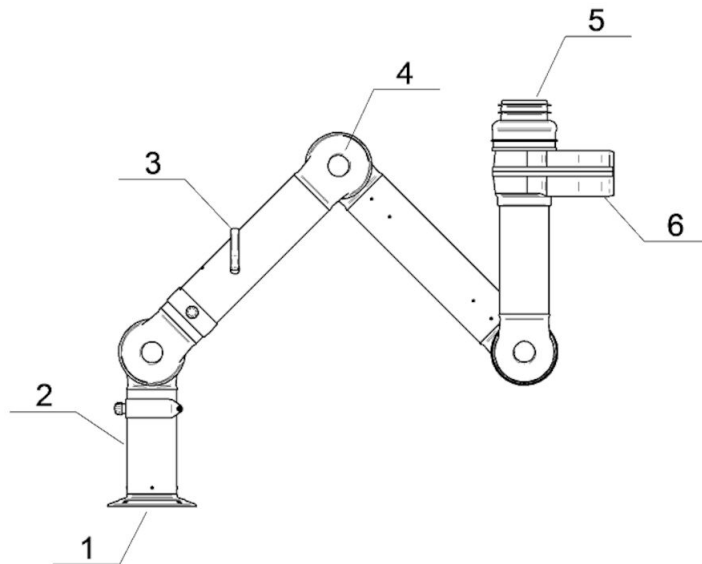
Sound Level diagram:

1) X- Axis: Air Flow Rate (cfm)

2) X- Axis: Air Flow Rate (m/h)

3) Y- Axis: Sound Pressure Level (dB) (A)

## BenchTop Extraction Arm FX2 75 Original



Material:

1) Flange: PP

2) Tubes: Aluminum, anodized 10 µm

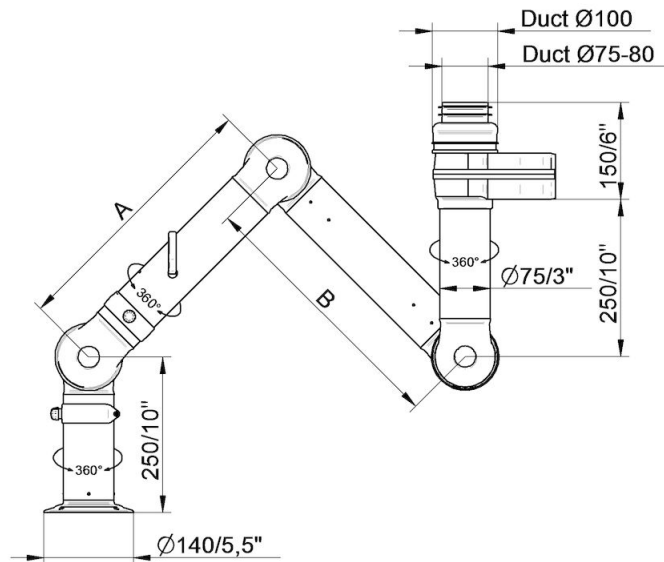
3) Damper adjustment handle: Aluminum, anodized 10 µm  
Internal spring: Stainless steel  
Damper blade: Conductive TP & PP plastic

4) Joints: PP with glass fibre reinforcement  
Plastic rings: PP with glass fibre reinforcement  
Axial locking rings: PP with glass fibre reinforcement  
Adjustment knobs: PA & EDS plastic  
Threaded shaft inside joints: Stainless Steel

5) Duct connector: EPDM Rubber

6) Swivel: Aluminum, powder coating  
Rivets: Aluminum  
Bearings swivel: PP plastic with glass fibre reinforcement

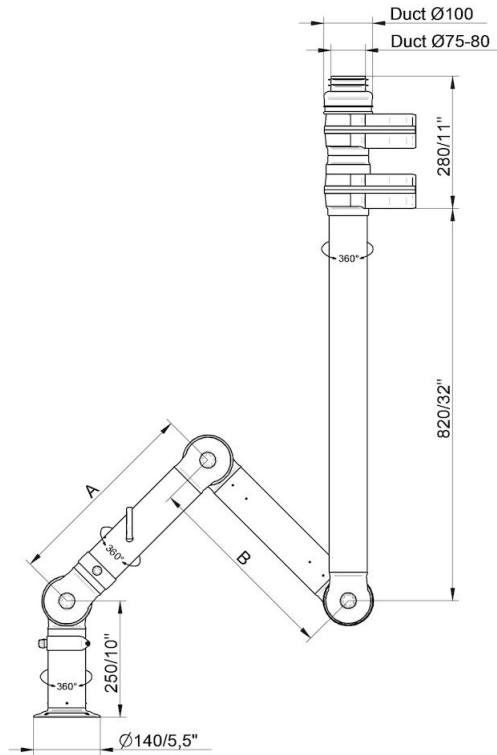
## BenchTop Extraction Arm FX2 75 Original



- FX2-ORIG-D75-L1100-Up-Low  
Numéro de pièce: 70602344  
Max. rayon d'action: 1090 mm (42,9 in)  
A: 420 mm (16,5 inch)  
B: 420 mm (16,5 inch)

- FX2-ORIG-D75-L1500-Up-Low  
Numéro de pièce: 70602744  
Max. rayon d'action: 1450 mm (57,1 in)  
A: 500 mm (19,7 in)  
B: 700 mm (27,5 in)

## BenchTop Extraction Arm FX2 75 Original

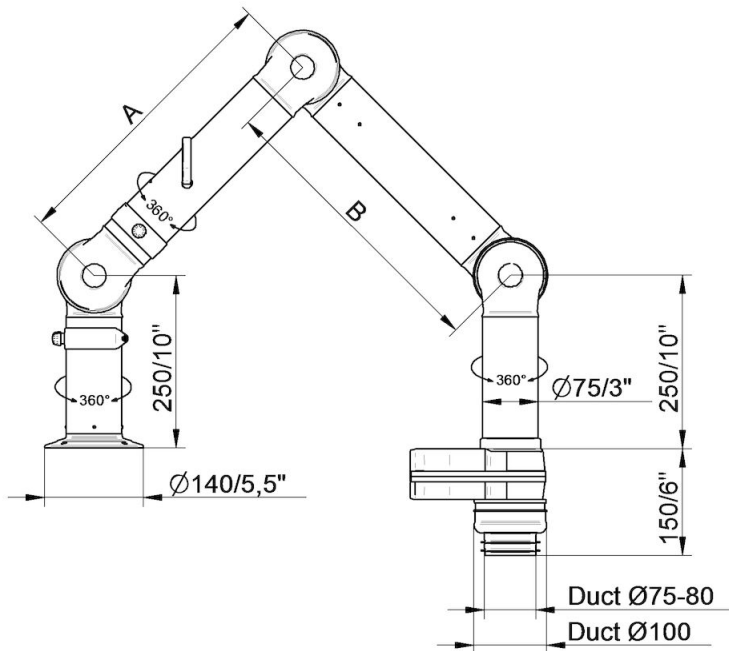


FX2-ORIG-D75-L1100-Up-PLUS  
Numéro de pièce: 70602444  
Max. rayon d'action: 1090 mm (42,9 in)  
A: 420 mm (16,5 in)  
B: 420 mm (16,5 in)

• FX2-ORIG-D75-L1500-Up-PLUS  
Numéro de pièce: 70602844  
Max. rayon d'action: 1450 mm (57,1 in)  
A: 500 mm (19,7 in)  
B: 700 mm (27,5 in)



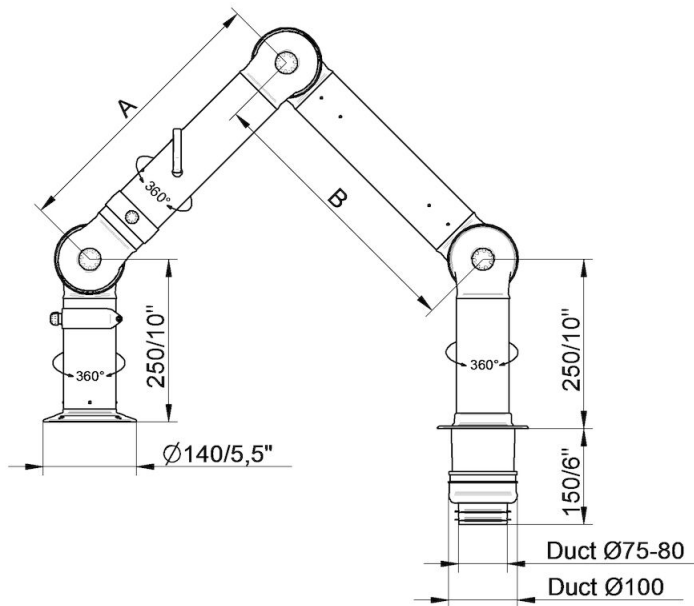
## BenchTop Extraction Arm FX2 75 Original



- FX2-ORIG-D75-L1100-Down-Low  
 Numéro de pièce: 70602544  
 Max. rayon d'action: 1090 mm (42,9 in)  
 A: 420 mm (16,5 in)  
 B: 420 mm (16,5 in)

- FX2-ORIG-D75-L1500-Down-Low  
 Numéro de pièce: 70602944  
 Max. rayon d'action: 1450 mm (57,1 in)  
 A: 500 mm (19,7 in)  
 B: 700 mm (27,5 in)

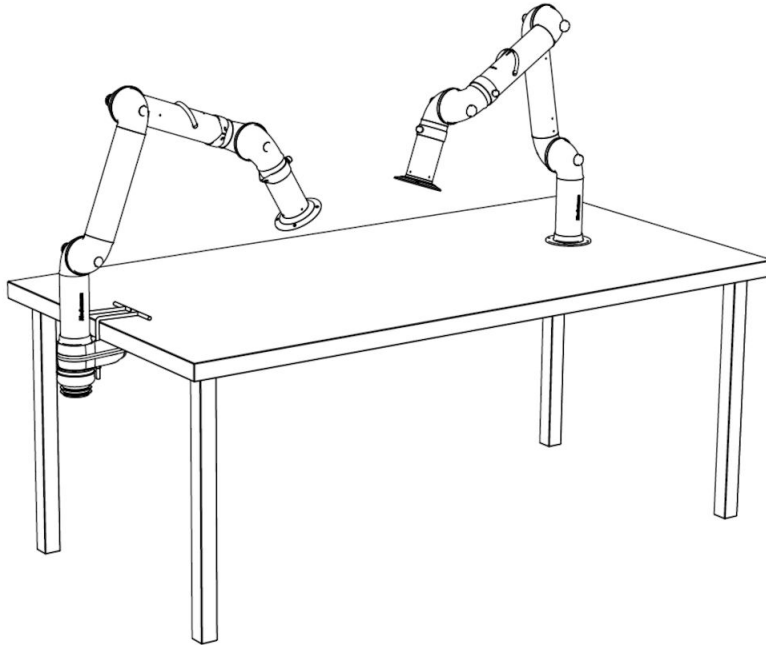
## BenchTop Extraction Arm FX2 75 Original



- FX2-ORIG-D75-L1100-Down-Through  
Numéro de pièce: 70602644  
Max. rayon d'action: 1090 mm (42,9 in)  
A: 420 mm (16,5 in)  
B: 420 mm (16,5 in)

- FX2-ORIG-D75-L1500-Down-Through  
Numéro de pièce: 70603044  
Max. rayon d'action: 1450 mm (57,1 in)  
A: 500 mm (19,7 in)  
B: 700 mm (27,5 in)

## BenchTop Extraction Arm FX2 75 Original



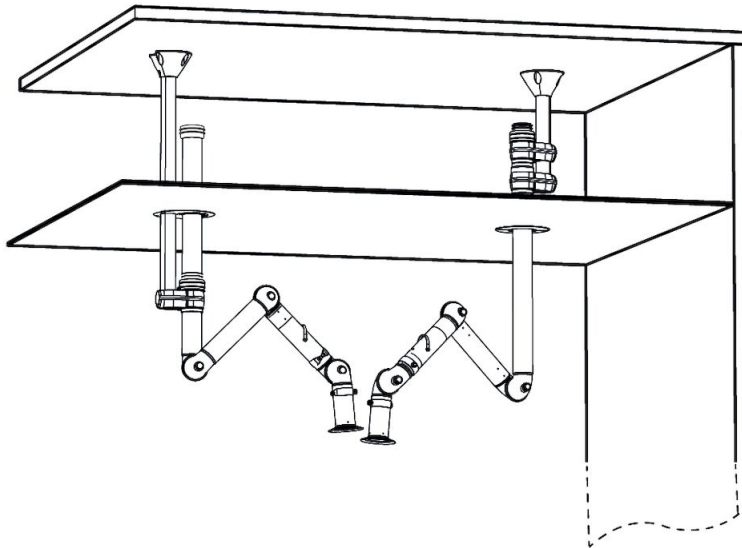
Bench mounting examples:

Left: FX2-Down-Low arm with following accessories:

-FX2-Bench bracket kit-D50/75/100

Right: FX2-Down-Through arm

## BenchTop Extraction Arm FX2 75 Original



Ceiling mounting example:

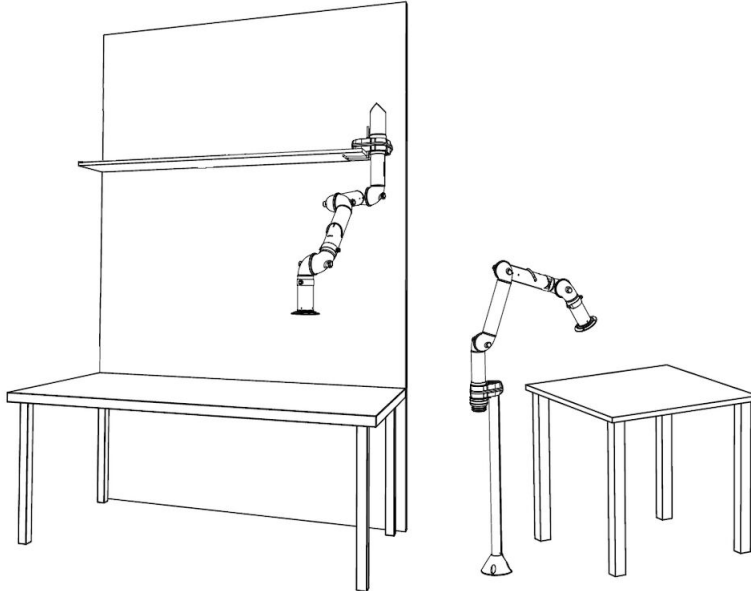
Left: FX2-Up-Low arm with following accessories:

- FX-Classic bracket
- FX-Cut2fit extension-L1100
- FX2-Alu duct
- FX2-Duct connector-ORIG/CHEM-D100
- FX-Ceiling cover plate

Right: FX2-Up-PLUS arm with following accessories:

- FX2-Bracket kit-D50/75/100-L500
- FX2-Ceiling cover plate-PLUS

## BenchTop Extraction Arm FX2 75 Original



Other mounting examples:

Left: Shelf mounting with FX2-Up-Low arm and following accessories:

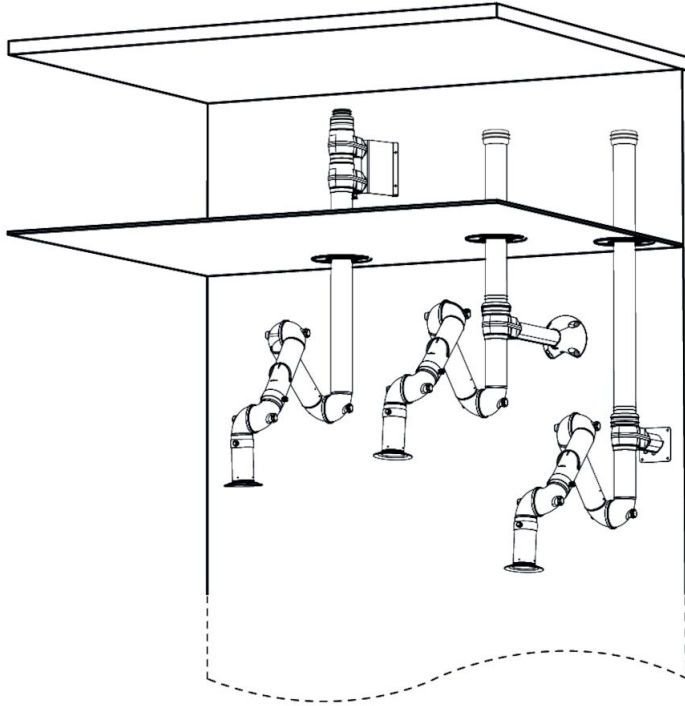
-FX2-Bench bracket kit

Right: Floor mounting with FX2-Up-Low arm and following accessories:

-FX-Classic bracket

-FX-Cut2fit extension-L1100

## BenchTop Extraction Arm FX2 75 Original



Wall mounting examples:

Left: FX2-Up-PLUS arm with following accessories:

- FX2-Wall-P BRKT kit-D50/75/100-L190
- FX2-Ceiling cover plate-PLUS

Middle: FX2-Up-Low arm with following accessories:

- FX2-Bracket kit-D50/75/100-L500
- FX2-Ceiling cover plate-PLUS
- FX2-Alu duct
- FX2-Duct connector-ORIG/CHEM-D100

Right: Up-Low arm with following accessories:

- FX2-Wall BRKT kit-Flat-L190-White
- FX2-Ceiling cover plate-PLUS
- FX2-Alu duct
- FX2-Duct connector-ORIG/CHEM-D100