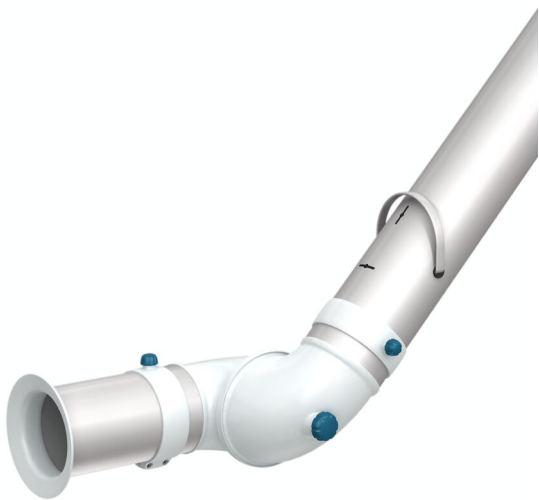


## BenchTop Extraction Arm FX2 100 Original

The best and most cost-efficient solution for extraction of hazardous airborne contaminants, in applications where small, flexible and easy-to-use arms are required.












Nederman FX2 arms are made of lightweight anodized aluminium sections, with three adjustable, composite friction joints. Offering strength and durability combined with easy handling, they can be used in many types of environment. They are especially suitable for applications where small, flexible and easy-to-use arms are required. A robust and reliable all-round arm for general applications where there is little risk of electrical discharges or attack by aggressive chemicals.

- Optimal efficiency and low noise provides safe and quiet working environment
- Ceilings, walls and floors or fixed to worktops mountings and cut2fit extension profile gives maximum installation flexibility
- The two outermost arm joints can rotate and swivel through 360°, which gives the unique maneuverability
- The lean, smooth and aesthetic design allows arms to fit in well in any environment without compromising its durability and reliability
- Highly integrated products that save customers' time and costs, as well as providing the reliability and functionality to deliver a better performance

Produktnavn	BenchTop Extraction Arm FX2 100 Original
Støynivå (dB(A))	62 dB(A) at 450 m <sup>3</sup> /h
Installasjon	Innendørs
Materiale	Rør i eloksert aluminium. Leddene i PP plast Bend i EPDM gummi Minihette i PP plast
Damptemperatur	max 70°C
Ekstraheringsarm, diameter (mm)	100
Luftstrøm (m <sup>3</sup> /t)	200-450
Farge	Aluminum and white



## BenchTop Extraction Arm FX2 100 Original

Bilde	Navn på datablad	Armlengde (m)	Vekt (kg)	Model
	FX2-ORIG-D100-L1200-Up/Down-Low	1,2	4,8	70604744*
	FX2-ORIG-D100-L1200-Up-PLUS	1,2	5,9	70604844**
	FX2-ORIG-D100-L1200-Up/Down-Through	1,2	4,1	70604944***
	FX2-ORIG-D100-L1800-Up-Low	1,8	5,9	70605044****
	FX2-ORIG-D100-L1800-Up-PLUS	1,8	7,7	70605144**
	FX2-ORIG-D100-L1800-Down-Low	1,8	5,9	70605244*****
	FX2-ORIG-D100-L1800-Down-Through	1,8	5,2	70605344*****
	FX2-ORIG-D100-L2400-Up-Low	2,4	6,9	70605444****
	FX2-ORIG-D100-L2400-Up-PLUS	2,4	8,7	70605544**

\*Up/Down-Low

\*\*Up-PLUS

\*\*\*Up/Down-Through

\*\*\*\*Up-Low

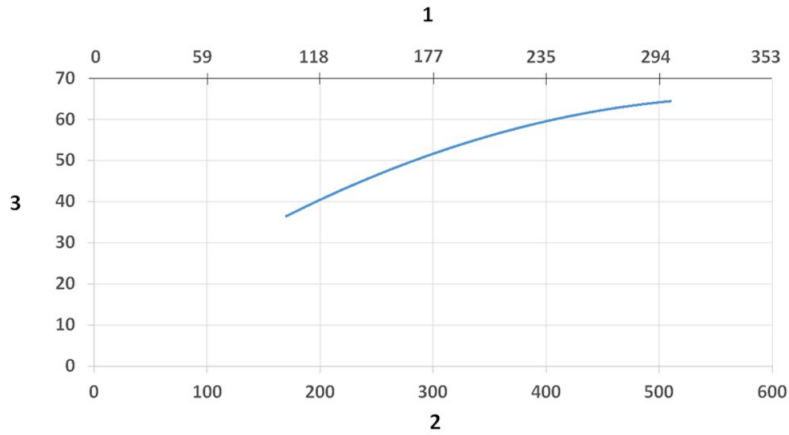
\*\*\*\*\*Down-Low

\*\*\*\*\*Down-Through

## BenchTop Extraction Arm FX2 100 Original

	Tilbehør	Artikkelnummer
	FX-Brakett kit-D50 / 75/100-L190.	70501144
	FX2-Brakettsett-D50/75/100-L500	70377042
	FX2-Wall BRKT kit-Flat-L190-White	70377043
	FX2-Wall-P BRKT kit-D50/75/100-L190	70377046
	FX2-Bench brakett kit-D50 / 75/100	70501444
	FX-Classic brakett-D50 / 75/100	70501244
	FX-Cut2fit extension-L1100.	70501344
	FX-Cut2fit extension-L2200.	70374600
	FX-Tak dekkplate	70502644
	FX2-Tak dekkplate-PLUS	70377045
	FX-Combi hette-ORIGINAL-D50 / 75/100	70500144
	FX-Dome hette-ORIGINAL-D50 / 75/100.	70376982
	FX-Metal hette-ORIG / CHEM-D50 / 75/100	70500444
	FX-Flange hette-ORIGINAL-D50 / 75/100	70502844
	FX2-Duct connector-ORIG/CHEM-D100	70377040
	FX2-Al kanal-L1000-D75/100 til D100	70377058
	FX2-Al kanal-L2000-D75/100 til D100	70377059
	FX-Hose-D100-L3000-Grey	70377099
	FX-Hose D125-L5000-Grey	70377100
	FX2-Hose support ring-D100	70377068
	FX2-Hose support ring-D125	70377069

## BenchTop Extraction Arm FX2 100 Original



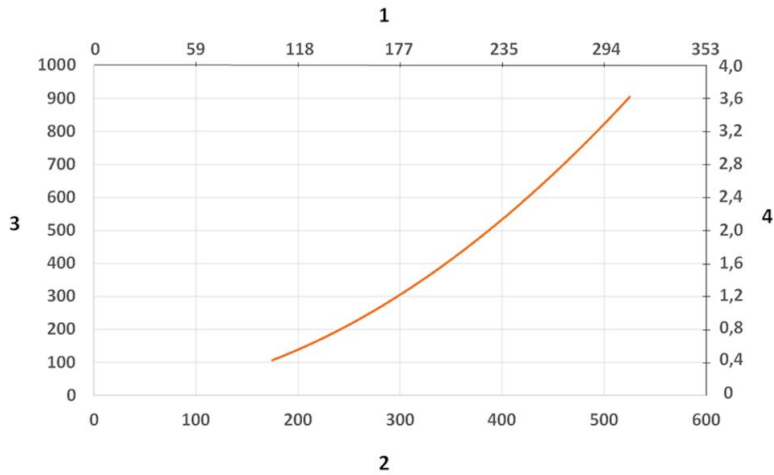
Sound Level diagram:

1) X- Axis: Air Flow Rate (cfm)

2) X- Axis: Air Flow Rate (m/h)

3) Y-Axis: Sound Pressure Level (dB) (A)

## BenchTop Extraction Arm FX2 100 Original



Pressure Drop diagram:

1) X- Axis: Air Flow Rate (cfm)

2) X- Axis: Air Flow Rate (m/h)

3) Y- Axis: Static Pressure Drop (Pa)

4) Y- Axis: Static Pressure Drop (in. wg.)

## BenchTop Extraction Arm FX2 100 Original



Material:

1) Flange: PP

2) Tubes: Aluminum, anodized 10 µm

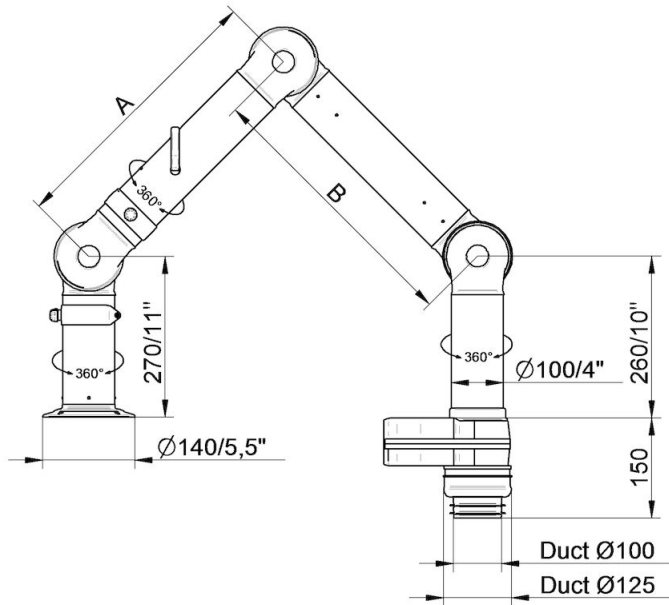
3) Damper adjustment handle: Aluminum, anodized 10 µm  
Internal spring: Stainless steel  
Damper blade: Conductive TP & PP plastic

4) Joints: PP with glass fibre reinforcement  
Plastic rings: PP with glass fibre reinforcement  
Axial locking rings: PP with glass fibre reinforcement  
Adjustment knobs: PA & EDS plastic  
Threaded shaft inside joints: Stainless Steel

5) Duct connector: EPDM Rubber

6) Swivel: Aluminum, powder coating  
Rivets: Aluminum  
Bearings swivel: PP plastic with glass fibre reinforcement

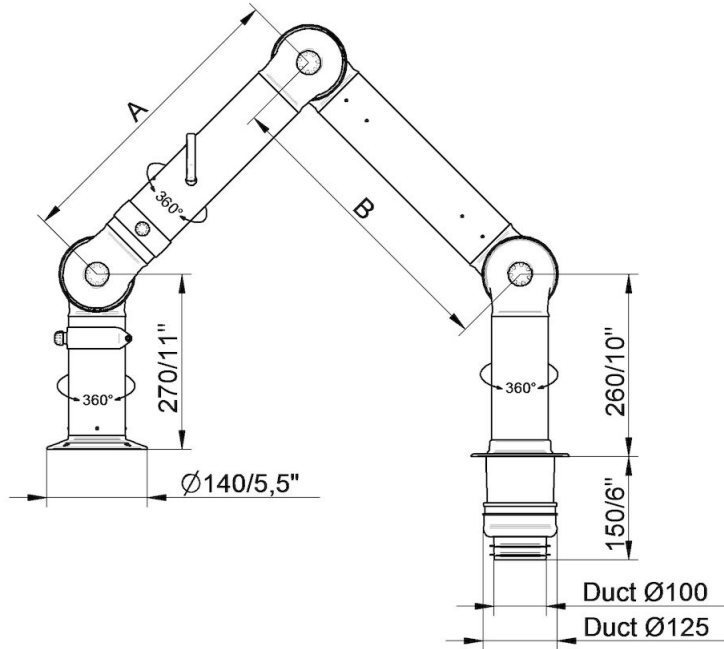
## BenchTop Extraction Arm FX2 100 Original



- FX2-ORIG-D100-L1200-Up/Down-Low  
Delenummer: 70604744  
Maks. arbeidsradius: 1170 mm (46,1 in)  
A: 450 mm (17,7 in)  
B: 450 mm (17,7 in)

- FX2-ORIG-D100-L1800-Down-Low  
Delenummer: 70605244  
Maks. arbeidsradius: 1770 mm (69,7 in)  
A: 750 mm (29,5 in)  
B: 750 mm (29,5 in)

## BenchTop Extraction Arm FX2 100 Original

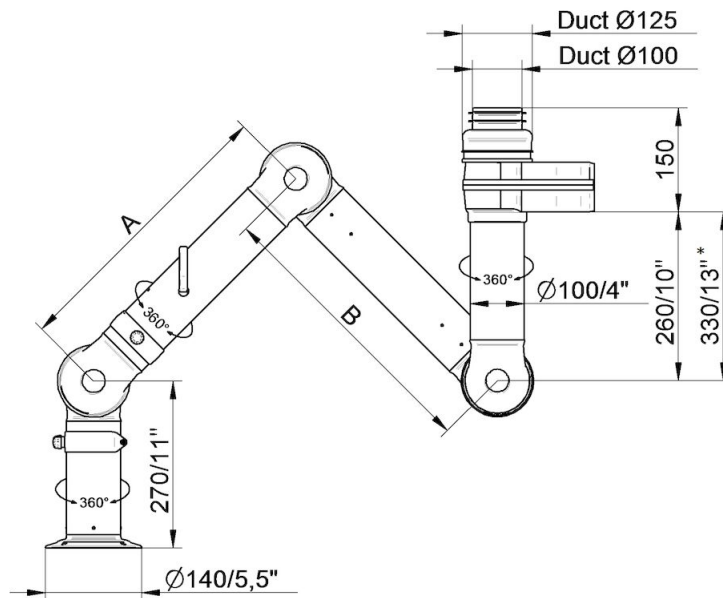


- FX2-ORIG-D100-L1200-Up/Down-Through  
Delenummer: 70604944  
Maks. arbeidsradius: 1170 mm (46,1 in)  
A: 450 mm (17,7 in)  
B: 450 mm (17,7 in)

- FX2-ORIG-D100-L1800-Down-Through  
Delenummer: 70605344  
Maks. arbeidsradius: 1770 mm (69,7 in)  
A: 750 mm (29,5 in)  
B: 750 mm (29,5 in)



## BenchTop Extraction Arm FX2 100 Original

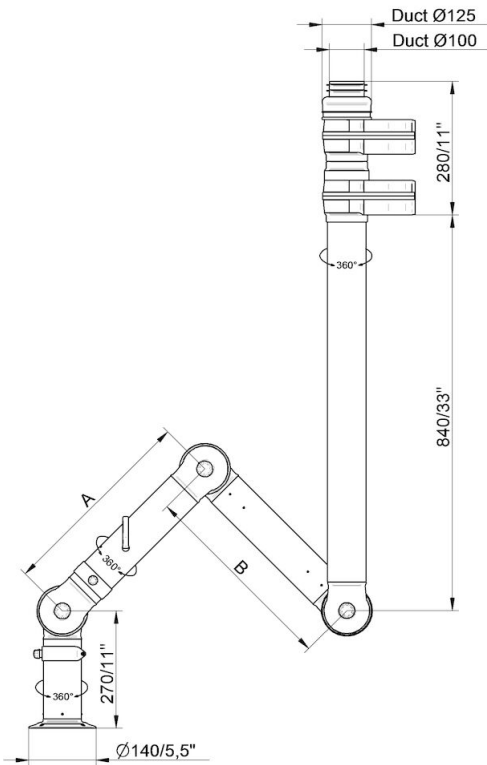


- FX2-ORIG-D100-L1200-Up/Down-Low  
Delenummer: 70604744  
Maks. arbeidsradius: 1170 mm (46,1 in)  
A: 450 mm (17,7 in)  
B: 450 mm (17,7 in)

- FX2-ORIG-D100-L1800-Up-Low  
Delenummer: 70605044  
Maks. arbeidsradius: 1770 mm (69,7 in)  
A: 750 mm (29,5 in)  
B: 750 mm (29,5 in)

- \*  
• FX2-ORIG-D100-L2400-Up-Low  
Delenummer: 70605444  
Maks. arbeidsradius: 2290 mm (90,2 in)  
A: 1010 mm (39,7 in)  
B: 1010 mm (39,7 in)

## BenchTop Extraction Arm FX2 100 Original



FX2-ORIG-D100-L1200-Up-PLUS  
 Delenummer: 70604844  
 Maks. arbeidsradius: 1170 mm (46,1 in)  
 A: 450 mm (17,7 in)  
 B: 450 mm (17,7 in)

- FX2-ORIG-D100-L1800-Up-PLUS  
 Delenummer: 70605144  
 Maks. arbeidsradius: 1770 mm (69,7 in)  
 A: 750 mm (29,5 in)  
 B: 750 mm (29,5 in)

- FX2-ORIG-D100-L2400-Up-PLUS  
 Delenummer: 70605544  
 Maks. arbeidsradius: 2290 mm (90,2 in)  
 A: 1010 mm (39,7 in)  
 B: 1010 mm (39,7 in)

## BenchTop Extraction Arm FX2 100 Original



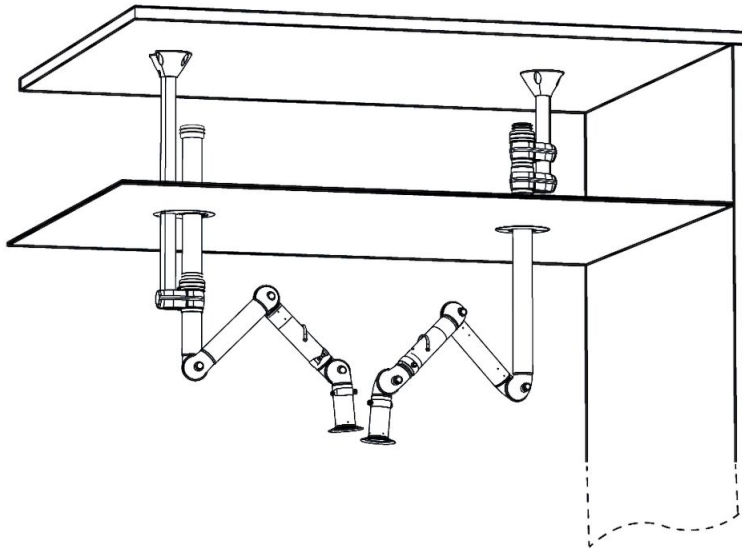
Bench mounting examples:

Left: FX2-Down-Low arm with following accessories:

-FX2-Bench bracket kit-D50/75/100

Right: FX2-Down-Through arm

## BenchTop Extraction Arm FX2 100 Original



Ceiling mounting example:

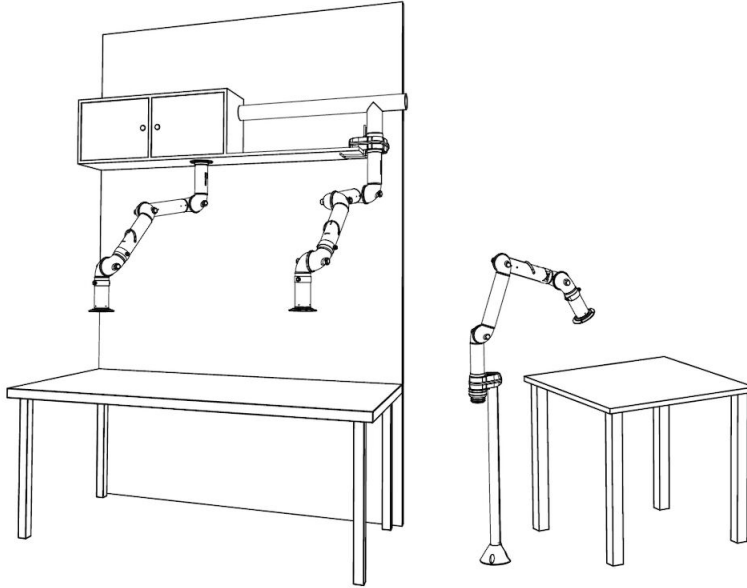
Left: FX2-Up-Low arm with following accessories:

- FX-Classic bracket
- FX-Cut2fit extension-L1100
- FX2-Alu duct
- FX2-Duct connector-ORIG/CHEM-D100
- FX-Ceiling cover plate

Right: FX2-Up-PLUS arm with following accessories:

- FX2-Bracket kit-D50/75/100-L500
- FX2-Ceiling cover plate-PLUS

## BenchTop Extraction Arm FX2 100 Original



Other mounting examples:

Left: Overbench cabinet mounting with FX2-Up/Down-Through arm

Middle: Shelf mounting with FX2-Up-Low arm and following accessories:

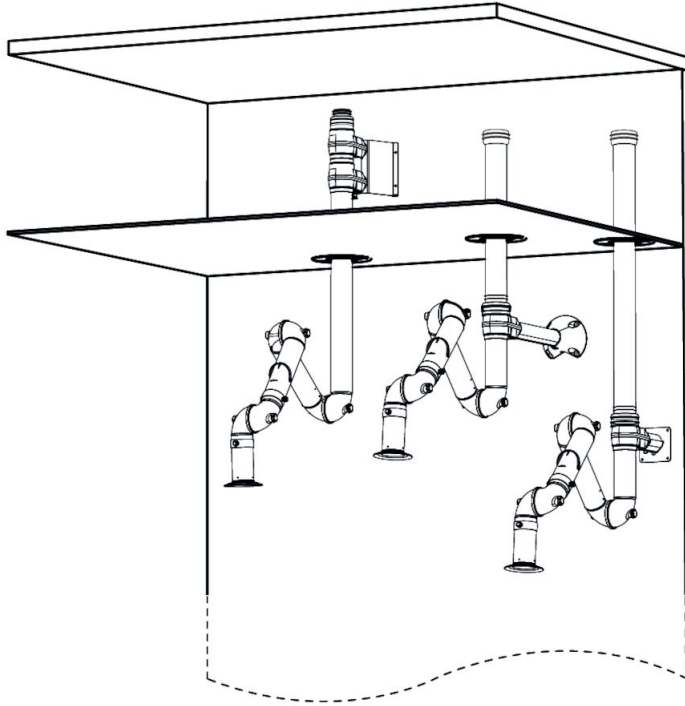
-FX2-Bench bracket kit

Right: Floor mounting with FX2-Up-Low arm and following accessories:

-FX-Classic bracket

-FX-Cut2fit extension-L1100

## BenchTop Extraction Arm FX2 100 Original



Wall mounting examples:

Left: FX2-Up-PLUS arm with following accessories:

- FX2-Wall-P BRKT kit-D50/75/100-L190
- FX2-Ceiling cover plate-PLUS

Middle: FX2-Up-Low arm with following accessories:

- FX2-Bracket kit-D50/75/100-L500
- FX2-Ceiling cover plate-PLUS
- FX2-Alu duct
- FX2-Duct connector-ORIG/CHEM-D100

Right: FX2-Up-Low arm with following accessories:

- FX2-Wall BRKT kit-Flat-L190-White
- FX2-Ceiling cover plate-PLUS
- FX2-Alu duct
- FX2-Duct connector-ORIG/CHEM-D100