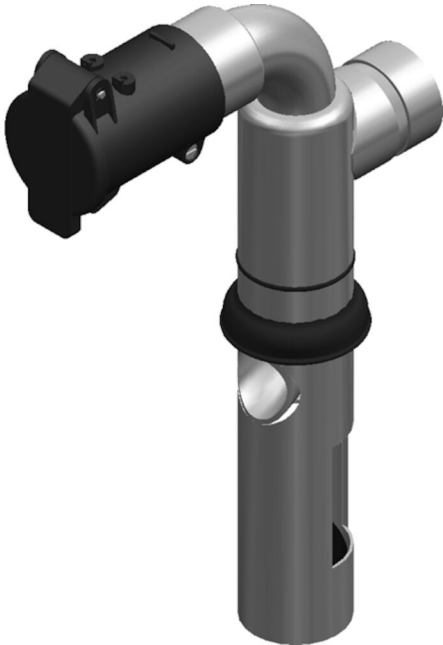


Drum filler inlet/outlet d51

Suitable for emptying of oil sumps, oil drums and liquid suction from floors after spillage.



Handy pre-separator for liquids for collection into oil drums. It should be placed in the bung hole (R2") of an empty but suitable oil drum. By connecting the unit to suction hoses, it is ready to use. The built-in float ball stops the suction when the drum is full.

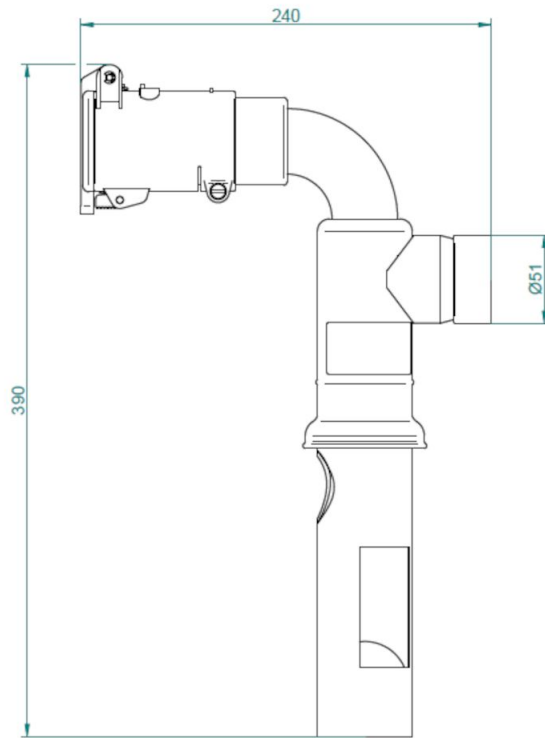
- No filter is needed
- Easy handling
- Drum is not included

Nom du produit	Drum filler inlet/outlet d51
----------------	------------------------------



Drum filler inlet/outlet d51

Drum filler inlet/outlet d51



Length x Width x Height: 390 x 240 x 70 mm