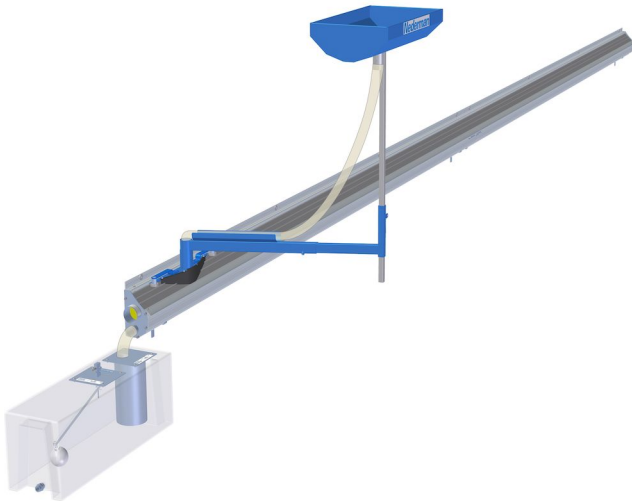


Waste oil rail



The rail is mounted with a small incline along the work pit, which makes the waste oil automatically flow to the end of the rail where it is temporarily stored in an 80 litre tank. The waste oil can then either be drained or be pumped into a central waste oil tank.

When the system is not in use, the arm unit can be positioned out of the way along the pit wall thanks to the swivelling arm and the adjustable height of the collection bowl. The rail can have either one or more trolley/arm units.

Oil temperature: max 90 °C

Ambient temperature: -10 – +50 °

- Complete mobility in the greasing pit
- Easy to stow away to make space
- Trolley with adjustable arm and collection bowl
- Collection tank with filter (optional)
- Automatic pump control (optional)

Product name	Waste oil rail
Installation	[Indoor]
Material	Aluminium rail, plastic tank and steel arm and bowl
Ambient temperature range	-10 to +50 C (14 F to 122 F)



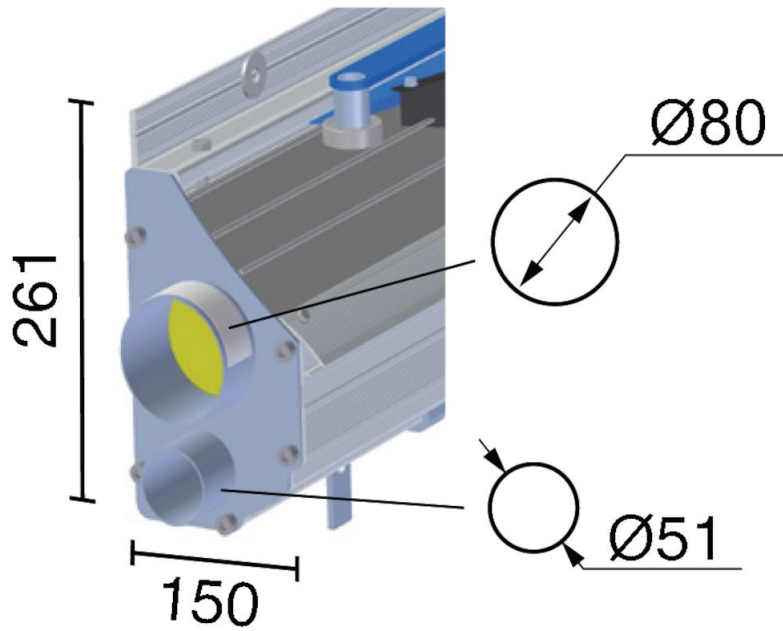
Waste oil rail

Description	Weight (kg)	[model]
Waste oil rail 2,5m complete	7,5 kg/m (incl brackets)	30583405
Waste oil rail 5,0 m complete	7,5 kg/m (incl brackets)	30583406
Waste oil rail 7,5m complete	7,5 kg/m (incl brackets)	30583407
Waste oil rail 10m complete	7,5 kg/m (incl brackets)	30583408
Waste oil rail 12,5m complete	7,5 kg/m (incl brackets)	30583409
Waste oil rail 15m complete	7,5 kg/m (incl brackets)	30583410
Waste oil rail 17,5m complete	7,5 kg/m (incl brackets)	30583411
Waste oil rail 20m complete	7,5 kg/m (incl brackets)	30583412
Waste oil rail 22,5m complete	7,5 kg/m (incl brackets)	30583413
Waste oil rail 25m complete	7,5 kg/m (incl brackets)	30583414
Trolley with arms and bowl, blue	20	30583401
Trolley with arms and bowl, galvanized	20	30583402
Collector tank including filter	11	30583404
Pump control complete, waste oil	1,3	30583403

Waste oil rail

[accessory]		[partno]
	Filter carpet	30594750

Waste oil rail



Waste oil rail side view

Waste oil rail

