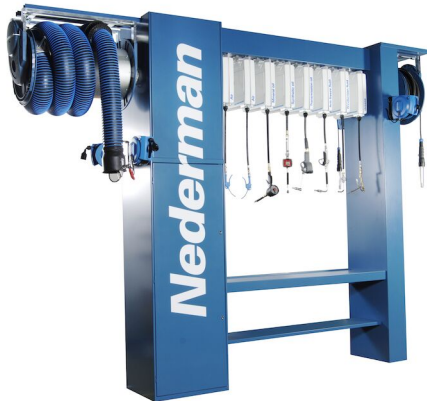


Service tower

All in one workstation for your vehicle repair shop.






Self-standing work station for increased availability, efficiency for service staff.

Nederman's Service Tower gives your service personell quick access to: Integrated workbench, Fluid, air and energy, Cleaning system, Vehicle exhaust extraction, Fluid monitoring system, Drainage of waste oil

Product name	Service tower
Material	Material: sheet metal, painted RAL5009

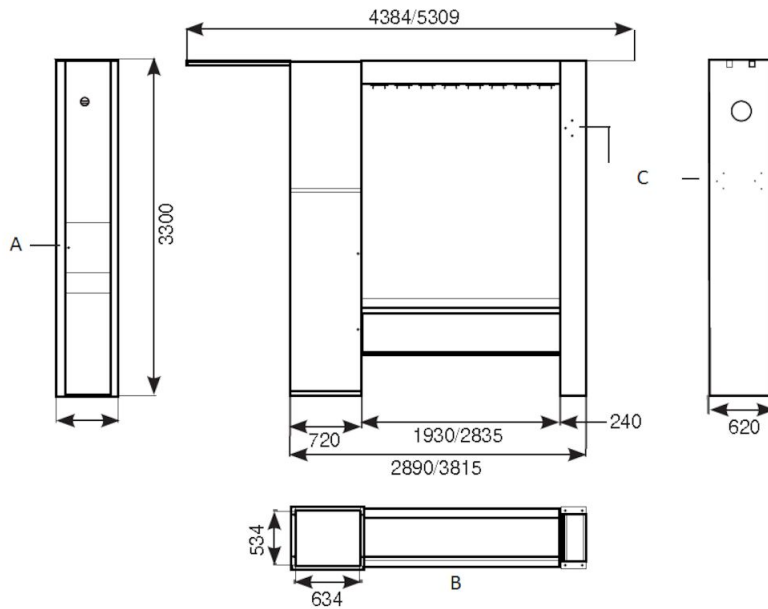
Service tower

Image	Description	Weight (kg)	Model
	Service tower HD for 8 hose reels	550	30506650*
	Service tower for 6 hose reels	280	30506750**
	Servicetower for 10 service reels	295	30504250**

*Includes bracket for exhaust reel, bracket for vacuum reel, drip tray, compartment for grease barrel (200 kg), prepared for 4 C20 reels, prepared for keypad,

**Includes drip tray

Service tower



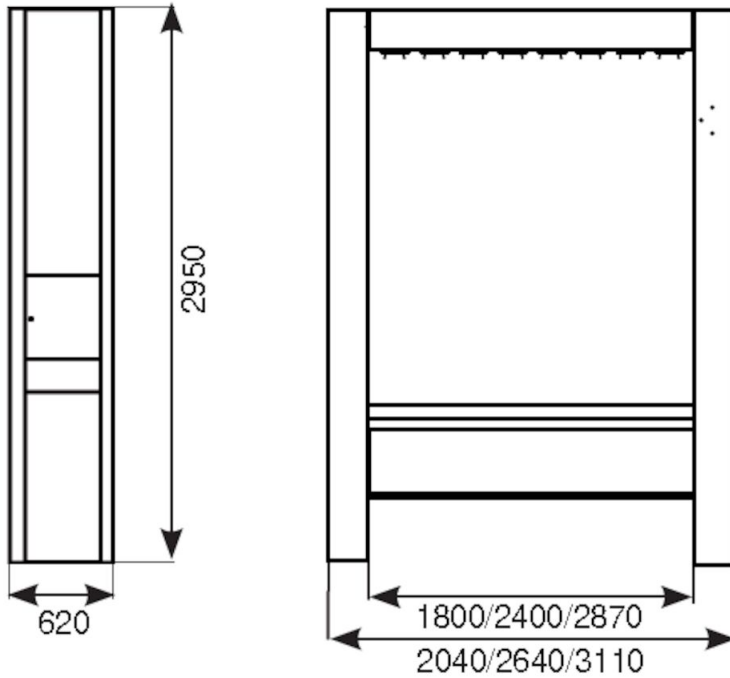
Servicetower HD

A = Place for control box keypad

B = Inner frame. Pre-drilled holes $\varnothing 14$

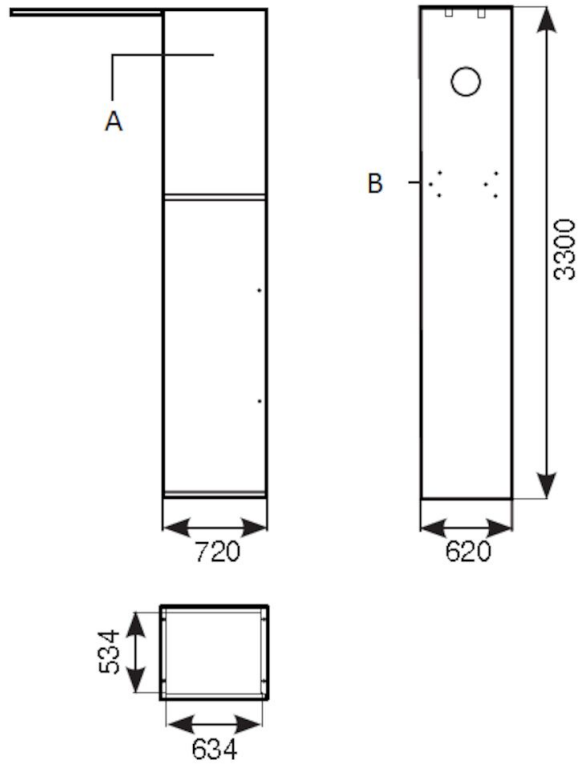
C = Pre-drilled hose for cable reel C20

Service tower



Service tower

Service tower



Service column

A = Knock out holes for 12 hose reels or 1 exhaust reel plus 9 hose reels

B = Pre-drilled holes for C20 cable reel