

## FlexFilter

Modular designed dust collector




Dust collector with 2-stage filtration. Central inlet with velocity reducer. Fully automatic filter cleaning. Can easily be equipped with a great variety of filter materials, bins, emptying systems, etc. Standard equipped with circular bags of polypropylene.

Product name	FlexFilter
Protection class	IP65 (cleaning valve) Painting: ISO 12944, class C2M
Compressed air requirement	6 - 10 bar (dry)
Compressed air consumption	0,6 NI/cleaning pulse (intermitent 700 NL/min)
Installation	Outdoor, Indoor
Material	Sheet metal
Filter cleaning method	Reverse air pulse
Application	Dust, Granulate, Grit, Fumes
Dustbin volume (gal)	70 (per filter)
Filter Area (ft <sup>2</sup> )	130
Capacity (max airflow cfm)	Single 1600 Single RF 1800 Twin 3200 Twin RF 3600
Operating Temperature	Ambient air -4 to +104 F (-20 to +40 C) (with anti freeze in compressed air) Process air max +140 F (60 C)
Filter type	Bag
Note	With reverse flow filter cleaning




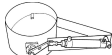
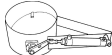




Granulate Grit Fumes Dust

## FlexFilter

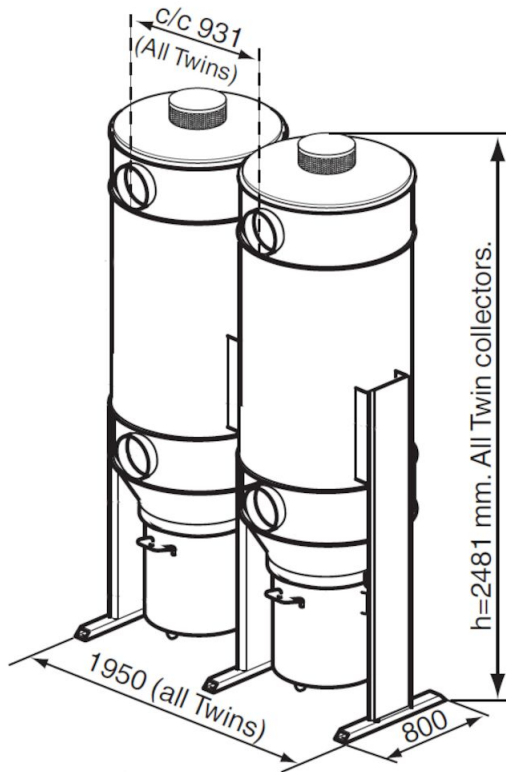
Image	Description	Number of filter elements	Filter material	Weight (lbs)	Model
	FlexFilter single	1	Polypropylene (Standard) Class M according to EN 60335-2-69	430	40118600
	FlexFilter single RF	1	PTFE Class M according to EN 60335-2-69	474	40118601*
	FlexFilter single with automating emptying of bin and high stand	1	Polypropylene (Standard) Class M according to EN 60335-2-69	666	40118604
	FlexFilter twin	2	Polypropylene (Standard) Class M according to EN 60335-2-69	809	40118605
	FlexFilter twin RF	2	PTFE Class M according to EN 60335-2-69	827	40118606*
	FlexFilter single Cyclone		None	414	40118618

\*With reverse flow filter cleaning

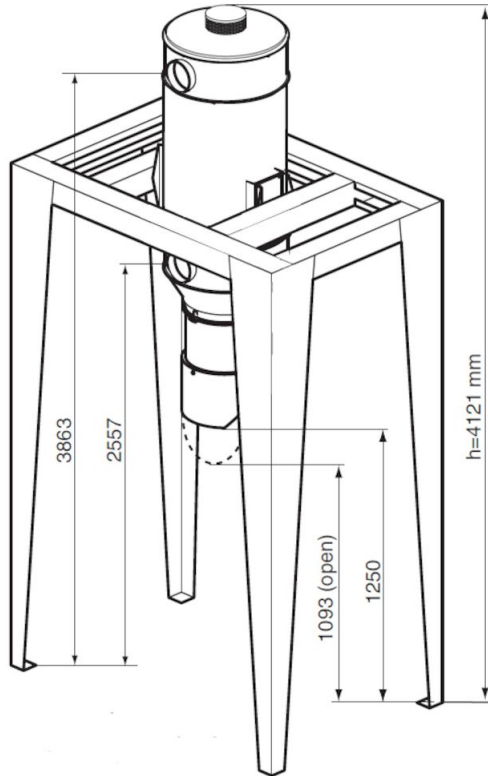
## FlexFilter

	Accessory	Part No
	Housing module A standard	40118020
	Top module A	40118510
	Filter module cyclone insert	40119751
	Fire alarm complete.	40116540
	TVS200 DA	40117640
	TVS200 NC	40117650
	Control Filter cpl	40376897
	Control Filter cpl HEPA	40376898
	Diff. pressure switch 3-15 kPa NC	40375273
	Connection pipe	40117630
	Bag filter, sparepart	40119850
	HVCP 37kW Std Insight EU - IoT ready	40124522
	HVCP 45kW Std Insight EU - IoT ready	40124521
	HVCP 45kW Std - IoT upgradeable	40124523
	HVCP 55kW Std - IoT upgradeable	40124526
	HVCP 37kW Std - IoT upgradeable	40124524
	Bag filter PTFE sparepart	40119860
	Level Indic. BLI 10-40VDC Compl.	40780710

## FlexFilter



# FlexFilter



## FlexFilter

