

Exhaust Hose Reel 865 - Spring Recoiled

Spring Recoiled Exhaust Hose Reel



For all types of vehicle workshops, etc. where the hose can hang at a reachable height. The patented spring drive makes the reel very easy to handle. The reel is available with or without automatic damper, the one with a patented integrated automatic damper saves energy and reduces the noise level. Optional retraction control is available for increased safety and efficiency. Two separate suspension brackets make mounting the reel a simple and safe procedure. The brackets are fixed to the wall or ceiling before the light-weight reel is lifted directly on to the brackets. It is possible to mount the fan directly on the reel.

- Easy, balanced operation
- Quick & easy installation reduces cost
- Automatic Fan for energy savings
- Easy adjustment of lifting capacity
- Compact, modern design




Product name	Exhaust Hose Reel 865 - Spring Recoiled
Electric/Spring driven	Spring



Exhaust Hose Reel 865 - Spring Recoiled

Image	Type of hose ¹	Delivered with hose	Colour	Body type	Diameter, hose (in)	Hose length (ft)	Weight (lbs)	Max hose length	Model
		No	Blue	Wide body	4			33 ft	20804665
	NTP	Yes	Blue	Wide body	5	25	90 - 108	33	20801765*
	NTP	Yes	Blue	Short body	75	25	90 - 108	25	20800865*
	NR-CP	Yes	Blue	Short body	3	16	90 - 108	25	20801465
	Without	No	Blue	Short body	3		51	25	20800965
	NTP	Yes	Blue	Short body	4	16	90 - 108	25	20810265*
	NR-CP	Yes	Blue	Short body	4	16	90 - 108	25	20800665
	NTP	Yes	Blue	Wide body	4	25	90 - 108	33	20810365*
	NR-CP	Yes	Blue	Short body	4	25	90 - 108	25	20805365**
	NTP	Yes	Blue	Wide body	4	33	90 - 108	33	20811265*
	NR-CP	Yes	Blue	Wide body	4	33	90 - 108	33	20801965
		No	Blue	Short body	4			25	20804365
	NTP	No	Blue	Short body	5	16	51	16	20804465*
	Without	No	Blue	Short body	4		51	25	20800765
	Without	No	Blue	Wide body	4		68	33	20800365

Exhaust Hose Reel 865 - Spring Recoiled

Image	Type of hose ¹	Delivered with hose	Colour	Body type	Diameter, hose (in)	Hose length (ft)	Weight (lbs)	Max hose length	Model
	NTP	Yes	Blue	Short body	5	16	90 - 108	16	20800465*
	NR-CP	Yes	Blue	Short body	5	16	90 - 108	16	20801165
	NR-CP	Yes	Blue	Wide body	5	25	90 - 108	33	20802065
	NR-CP	Yes	Blue	Wide body	5	33	90 - 108	33	20802165
	Without	No	Blue	Wide body	5		68	33	20800165*
	NR-CP	Yes	Blue	Short body	6	16	90 - 108	16	20801065
	NR-CP	Yes	Blue	Wide body	6	25	90 - 108	25	20802265**
	NR-CP	Yes	Blue	Wide body	6	33	90 - 108	33	20802365**
	Without	No	Blue	Wide body	6		68	33	20804265
	Without	No	Blue	Short body	6		51	16	20804165
	Without	No	Blue	Wide body	8		68	23	20809065*
	Without	No	Grey	Short body	4		51	25	20809365
	NR-CP		Grey	Wide body	150	10	31-38		20810465
	NR-CP	Yes	Grey	Short body	4	25	90 - 108		20811365
									20800565

Exhaust Hose Reel 865 - Spring Recoiled

Image	Type of hose ¹	Delivered with hose	Colour	Body type	Diameter, hose (in)	Hose length (ft)	Weight (lbs)	Max hose length	Model
									86900525
		No	Blue	Wide body	5			33 ft	20804765
		No	Blue	Short body	6			16 ft	20804565
			Blue	Wide body	6			33 ft	20804865

*Without damper

**Reinforced spring

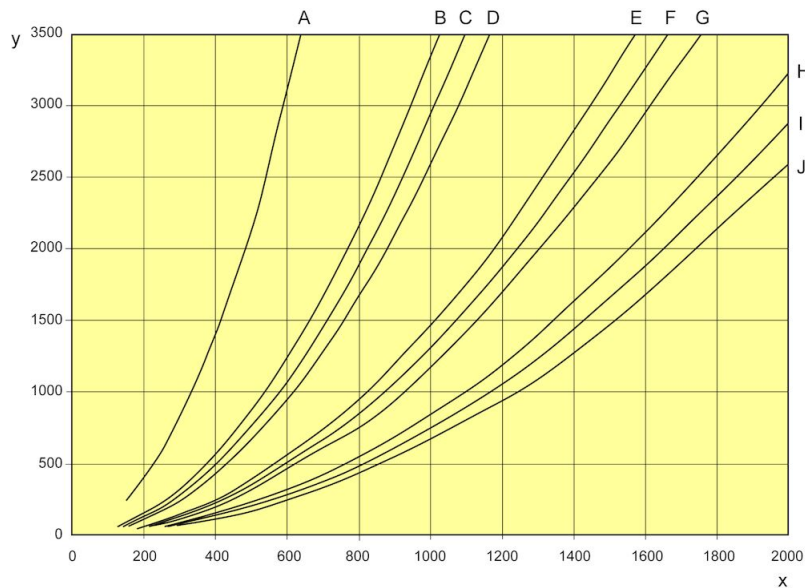
¹ See table below

Hose type	Specification	Temperature range, °C	Hose fittings in free hose end, distribution hose	Hose fitting on free hose end, inlet hose	Hose connection on reel, distribution hose	Hose connection on reel, inlet hose
NTP		up to 150				
NRCP	Polyester fabric, EPDM/PP coated. Helix in Polyester with EPDM cover. Max bending radius 22.5cm (inside)	-40 to +150 Deg. C (Inttermittent +170 Deg. C)				

Exhaust Hose Reel 865 - Spring Recoiled

	Accessory	Part No
	865 Controlled retraction kit	20373880
	Extraction trolley Reel on rail	20948610
	On-off switch	20373557
	Direct mount Stand for fan on 865 Hose Reel	20373556
	Transformer 230/250 V to 24 V. 75 VA.	10361560
	Transformer 230/250 V to 24 V. 25 VA.	10363189
	Rebuilding kit for double springs	20374111
	8in Metal Spring Reel XW	87001012
	8in Clip Grip/Bridge Hose Clamp	87000934
	Flex Noz 6"complt w 9"opening2007en	89298063
	Flex Noz 6"complt w 8"opening2007en	89298058
	Bracket to mount 8" hose reel on Extension Arm	86900229
	Stainless Steel Nozzle for 5" hose with locking clamp & lifting sleeve	89298082
	Flex Noz 6"complt w10"opening2007en	89298062

Exhaust Hose Reel 865 - Spring Recoiled

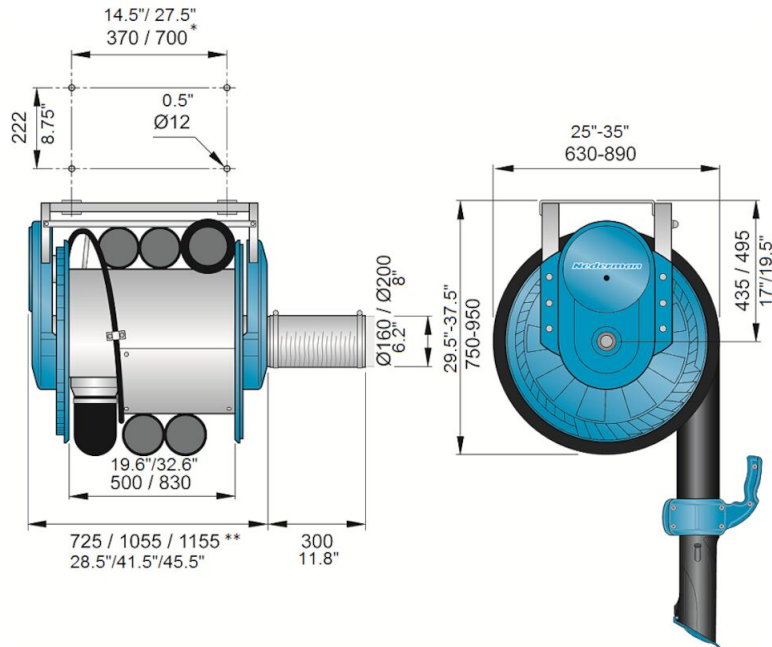


A. 75 mm (3"), 5 m (16'), B. 100 mm (4"), 10 m (33'), C. 100 mm (4"), 7.5 m (25'), D. 100 mm (4"), 5 m (16'), E. 125 mm (5"), 10 m (33'), F. 125 mm (5"), 7.5 m (25'), G. 125 mm (5"), 5 m (16'), H. 150 mm (6"), 10 m (33'), I. 150 mm (6"), 7.5 m (25'), J. 150 mm (6"), 5 m (16')

For exhaust extraction systems in vehicle repair shops where engines are running without load and with low rpm's, the following air flows can be used as guidelines: Cars = 400 m³/h (110 l/s; 250 cfm) Trucks = 1000 m³/h (280 l/s; 600 cfm) (pressure drop over reel when most of the hose is uncoiled)

X = m³/h
Y = Pa

Exhaust Hose Reel 865 - Spring Recoiled



*) short drum / wide drum

***) short drum / wide drum 100 - 150mm/ wide drum 200mm