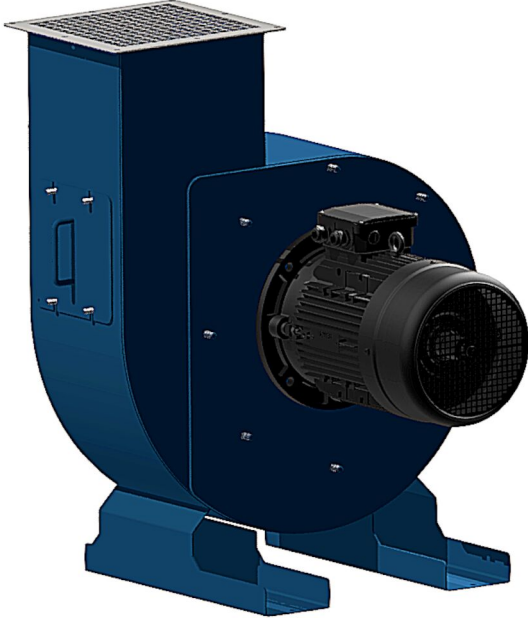


## NF Fans - standalone



The Nederman NF range is a series of radial fans with curved impeller blades designed for use in all types of industrial process and ventilation systems, mounted indoor as well as outdoor.

Note! The fan must not be used in an environment with danger of explosion or for transport of inflammable or explosive gases.

Medya	NF Fans - standalone
Kurulum	[Outdoor], [Indoor]
Materyal	Steel sheets, painted RAL 5009
Patlayıcı toz için ideal	False
Application	[dust], [fumes]
Hava Debisi (m <sup>3</sup> /h)	500 - 14000
Ambient temperature range	-20 to +40°C
Frekans(Hz)	50



Fumes



Dust



## NF Fans - standalone

Noise level (dB(A))	Ağırlık (kg)	Güç (kW)	[model]
With silencer: 68 Without silencer: 82	43	0,75	73001170*
With silencer: 68 Without silencer: 82	45	1,1	73001171**
With silencer: 75 Without silencer: 83	51	2,2	73001172***
With silencer: 77 Without silencer: 85	56	3	73001173****
With silencer: 77 Without silencer: 85	78	4	73001174*****
With silencer: 79 Without silencer: 85	92	5,5	73001175*****
With silencer: 81 Without silencer: 85	97	7,5	73000007*****
With silencer: 82 Without silencer: 85	147	7,5	73000008*****
With silencer: 84 Without silencer: 87	179	11	73000009*****
With silencer: 84 Without silencer: 90	192	15	73000010*****
With silencer: 85 Without silencer: 94	210	18,5	73000012*****

\*Dimension A = 409 mm

Dimension depending on power/the engine type.

\*\*Dimension A = 443 mm

Dimension depending on power/the engine type.

\*\*\*Dimension A = 501 mm

Dimension depending on power/the engine type.

\*\*\*\*Dimension A = 522 mm

Dimension depending on power/the engine type.

\*\*\*\*\*Dimension A = 634 mm

Dimension depending on power/the engine type.

\*\*\*\*\*Dimension A = 671 mm

Dimension depending on power/the engine type.

\*\*\*\*\*Dimension A = 835 mm

Dimension depending on power/the engine type.

\*\*\*\*\*Dimension A = 940 mm

Dimension depending on power/the engine type.

# NF Fans - standalone

	[accessory]	[partno]
	Inlet galv. for fan dia. 180/QF160	73007705
	Inlet galv. for fan dia 180 /QF 180	73003331
	Inlet galv. for fan dia300/QF224	73008195
	Inlet galv. for fan dia300/QF250	73008196
	Inlet galv. for fan dia 400 /QF 400	73003356
	Inlet galv. for fan dia 400 /QF 450	73003359
	Inlet galv. for fan dia 400 /QF 500	73003363
	Inlet galv. for fan dia 400 /QF 560	73007149*
	Outlet transition for NF fan 0,75-3,0 kW / QF160 galv.	73008203
	Outlet transition for NF fan 0,75-3,0 kW / QF180 galv.	73008204
	Outlet transition for NF fan 0,75-3,0 kW / QF200 galv.	73008205
	Outlet transition for NF fan 4,0-7,55 kW / QF224 galv.	73008206
	Outlet transition for NF fan 4,0-7,55 kW / QF250 galv.	73008207
	Outlet transition for NF fan 4,0-7,55 kW / QF315 galv.	73008208
	Outlet transition for NF fan 4,0-7,55 kW / QF350 galv.	73008209
	Outlet transition for NF fan 4,0-7,55 kW / QF400 galv.	73008210
	Outlet transition for NF fan 7,5L-18,5 kW / QF315 galv.	73008211
	Outlet transition for NF fan 7,5L-18,5 kW / QF350 galv.	73008212
	Outlet transition for NF fan 7,5L-18,5 kW / QF400 galv.	73008213
	Outlet transition for NF fan 7,5L-18,5 kW / QF450 galv.	73008214
	Outlet transition for NF fan 7,5L-18,5 kW / QF500 galv.	73008215
	Outlet transition for NF fan 7,5L-18,5 kW / QF560 galv.	73008216

## NF Fans - standalone

[accessory]	[partno]
Outlet transition for NF fan 7,5L-18,5 kW / QF630 galv.	73008217
Vibration damper W30 with mounting plate D04 D05	73003890**
Vibration damper W40 with mounting plate D04 D05	73003892***
Vibration damper W50 with mounting plate D04 D05	73003893****
Vibration damper W75 with mounting plate D04 D05	73003895*****
Flexible connection FL180 L=160mm	73003283
Flexible connection FL400 L=160mm	73003288
Flexible connection for NF fan 0,75-3,0kW L=160mm	73001779
Flexible connection for NF fan 4,0-7,55 kW L=160mm	73001780
Flexible connection for NF fan 7,5L-18,5kW L=160mm	73001781

\*For NF fan 7,5(L) kW - 18,5 kW

\*\* (4 off vibration dampers required for 0.75kw - 4kw fans)

\*\*\* (4 off vibration dampers required for 5.5kw fans, 6 off vibration dampers required for 7.5kw fans)

\*\*\*\* (6 off vibration dampers required for 11kw & 15kw fans)

\*\*\*\*\* (6 off vibration dampers required for 18.5kw fans)

## NF Fans - standalone

Figure 2. Air flow range for 4.0 to 7.5 S kW

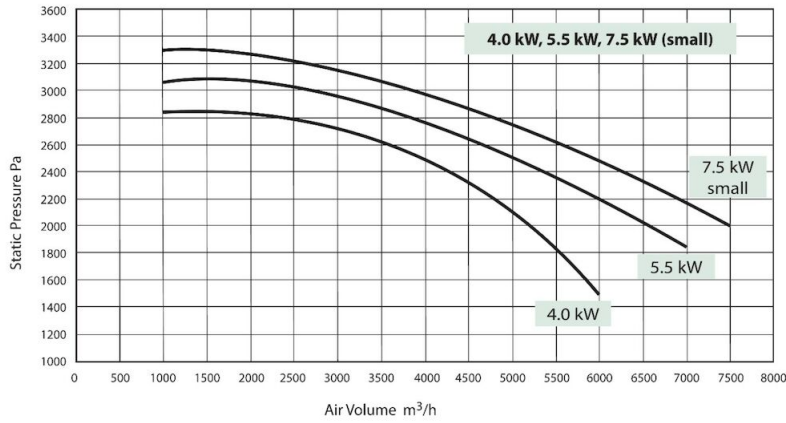
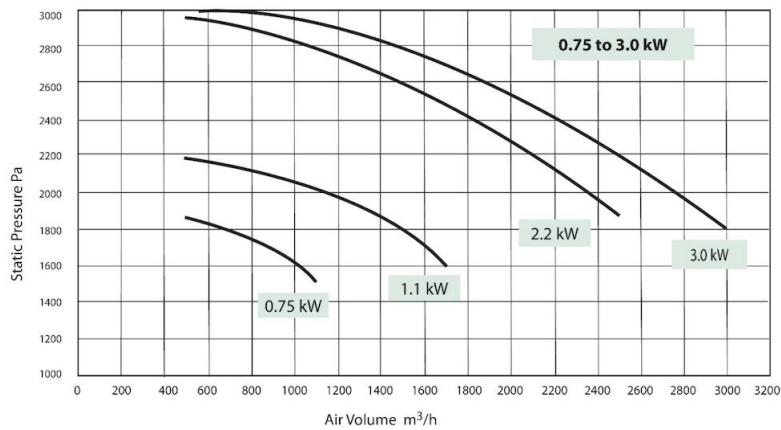
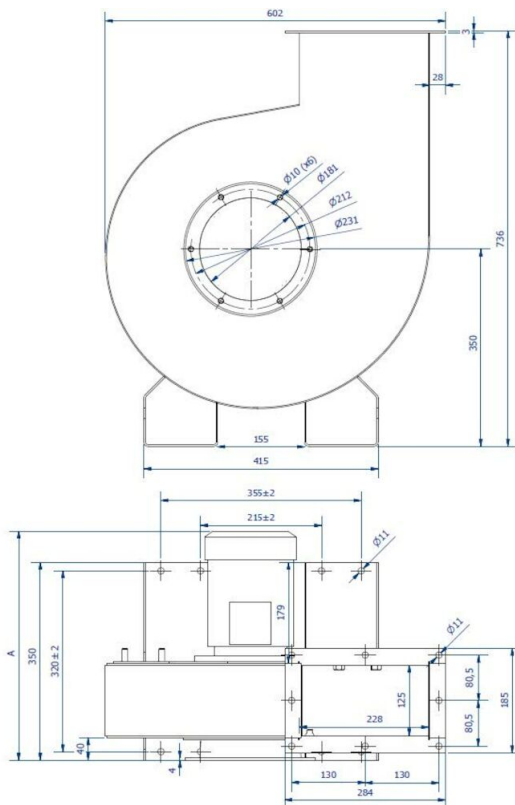
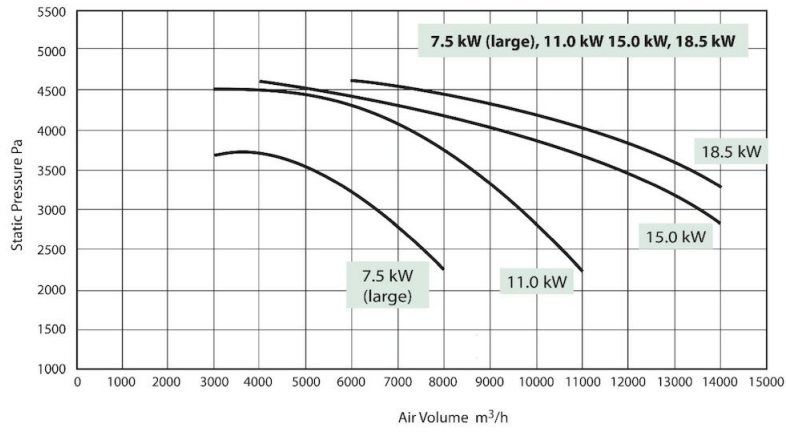


Figure 1. Air flow range for 0.75 to 3.0 kW

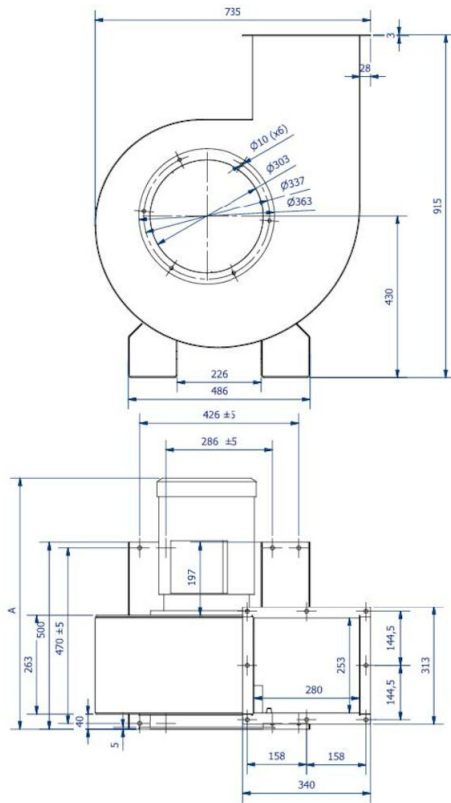


## NF Fans - standalone

Figure 3. Air flow range for 7.5 L to 18,5 kW



## NF Fans - standalone



## NF Fans - standalone

