

Safety Filter

The safety filter is designed as an absolute filter used for air filtration in ventilation duct systems.



The safety filter is typically used in high vacuum application and is positioned between the filter and the fan to protect the fan against larger particles.

The housing is made of a welded steel structure painted in blue paint RAL 5009.

The safety filter is equipped with H13 class filter cartridges according to EN 1822 which are mounted in frames and tightly closed by bolted doors. The flanges are standardized FL flanges.

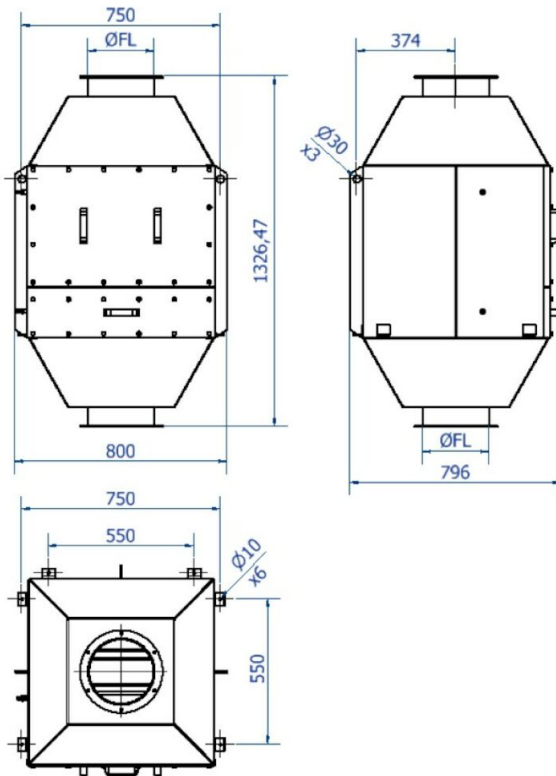
- Can be mounted both horizontally and vertically

| | |
|--|------------------------|
| Nazwa produktu | Safety Filter |
| Instalacja | na zewnątrz, wewnątrz |
| Materiał | Painted steel RAL 5009 |
| Powierzchnia filtracyjna (m ²) | 22-44 |
| Pojemność (maks. przepływ powietrza m ³ /h) | 2700-5400 |
| Operating Temperature | Max. 80°C |
| Połączenie | FL |
| Wyjaśnienie do danych technicznych | |

Safety Filter

| średnica (mm) | Pressure drop (Pa) | Model |
|---------------|--|---------|
| 180 | Initial pressure drop = 275; Final pressure drop = 650 | 7943077 |
| 200 | Initial pressure drop = 275; Final pressure drop = 650 | 7943078 |
| 250 | Initial pressure drop = 275; Final pressure drop = 650 | 5512640 |
| 250 | Initial pressure drop = 275; Final pressure drop = 650 | 5512688 |
| 315 | Initial pressure drop = 275; Final pressure drop = 650 | 7943079 |
| 355 | Initial pressure drop = 275; Final pressure drop = 650 | 7943080 |

Safety Filter



Safety Filter

