

Safety Filter

The safety filter is designed as an absolute filter used for air filtration in ventilation duct systems.



The safety filter is typically used in high vacuum application and is positioned between the filter and the fan to protect the fan against larger particles.

The housing is made of a welded steel structure painted in blue paint RAL 5009.

The safety filter is equipped with H13 class filter cartridges according to EN 1822 which are mounted in frames and tightly closed by bolted doors. The flanges are standardized FL flanges.

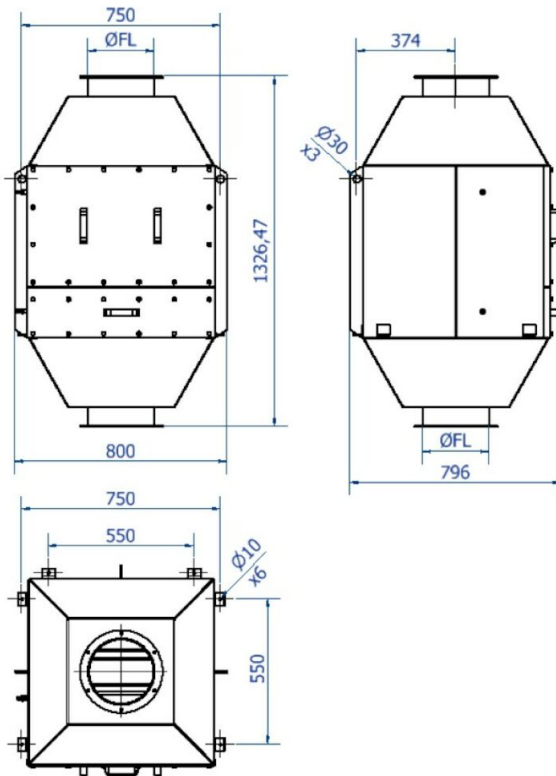
- Can be mounted both horizontally and vertically

| | |
|---|-------------------------------------|
| Наименование товара | Safety Filter |
| Установка | Внутри помещения, Снаружи помещения |
| Материал | Painted steel RAL 5009 |
| Площадь фильтра (м ²) | 22-44 |
| Производительность (макс. воздушный поток м3/час) | 2700-5400 |
| Рабочая температура | Max. 80°C |
| Connection | FL |
| Пояснение к техническим данным | |

Safety Filter

| диаметр (mm) | Pressure drop (Pa) | [model] |
|--------------|--|---------|
| 180 | Initial pressure drop = 275; Final pressure drop = 650 | 7943077 |
| 200 | Initial pressure drop = 275; Final pressure drop = 650 | 7943078 |
| 250 | Initial pressure drop = 275; Final pressure drop = 650 | 5512640 |
| 250 | Initial pressure drop = 275; Final pressure drop = 650 | 5512688 |
| 315 | Initial pressure drop = 275; Final pressure drop = 650 | 7943079 |
| 355 | Initial pressure drop = 275; Final pressure drop = 650 | 7943080 |

Safety Filter



Safety Filter

