

FilterBox Wall

Automatically or manually cleaned for dust & fume applications.

FilterBox Wall



FilterBox Wall can come with or without a fan attached. The models without a fan are suitable for installations with an external fan and fan contactor, and can be used with multiple FilterBox units. The unit is delivered with a wall bracket for easy installation. Depending on the model, the filter cartridge is either manually or automatically cleaned. For the manual model, there is an alarm indicating when the air flow is too low, and an operating hours meter. The model with automatic cleaning has an advanced filter control system that starts the cleaning process automatically when the air flow is too low. Additional protection from harmful particles given if a HEPA filter is installed.

For dust applications, the unit is cleaned mechanically. For welding fumes it uses a combination of mechanical and compressed air cleaning.

For welding applications, compressed air cleaning is required.

Note! FilterBox is not for use in environments where combustible dust or gases are present, and it is not for use in filtering combustible dust or gases.

- User friendly and superior filter cleaning, mechanical and/or with compressed air for long filter life
- Automatic damper preventing dust from leaking out while cleaning
- Dust free filter replacement and emptying of dust bin
- Third party approval for welding fumes category W3 according to EN 15012-1
- Third party approval for welding fumes category W3 according to EN 15012-1

Product name	FilterBox Wall
Noise level (dB(A))	60 (without fan) 66 (N24 fan) 74 (N27 fan)
Protection class	IP 54
Filter efficiency (%)	99
Compressed air requirement	DIN ISO 8573-1, class 5/5/4 (7 bar)
Installation	[Indoor]
Material	Casing in rotomoulded plastic
Dustbin volume (l)	15
Extraction arm diameter (mm)	160
Airflow (m ³ /h)	1300
Filter Area (m ²)	13
Arm length (m)	Without
Filter type	[cartridge]
Number of filter elements	1
Electric plug	without

FilterBox Wall

Max airflow (m ³ /h)	1300
---------------------------------	------



FilterBox Wall

Image	Description	Power Voltage (V)	Frequency (Hz)	No of phases	Filter material	Weight (kg)	Filter cleaning method	Power (kW)	Filter Area (m ²)	Model
	FilterBox Wall	400	50	3	Polyester PW13	54	Mechanical ,Compressed air	0,9		12650263*
	FilterBox Wall	230	50	1	Polyester PW13	54	Mechanical ,Compressed air			12682063**
	FilterBox Wall	110	50	1	Polyester PW13	54	Mechanical ,Compressed air			12682163**
	FilterBox Wall	110	60	1	Polyester PW13	54	Mechanical ,Compressed air	1,5		12684063**
	FilterBox Wall	400	50	3	Polyester PW13	54	Mechanical ,Compressed air	2,2		12650363*
	FilterBox Wall	400	50	3	Polyester PW13	54	Mechanical ,Compressed air	2,2		12684863
	FilterBox Wall	400	50	3	Polyester PW13	54	Mechanical ,Compressed air	0,9		12684563***
	FilterBox Wall	400	50	3	Polyester PW13	54	Mechanical ,Compressed air	2,2		12684763***
	FilterBox Wall	400	50	3	Polyester PW13	54	Mechanical ,Compressed air	0,9		12684663
	FilterBox Wall A+, Automatic Cleaning	230	50	1	Nanofiber	54	Compressed air		17	12697563****
	FilterBox Wall A+, Automatic cleaning	110	50	1	Nanofiber	54	Compressed air		17	12697663****
	FilterBox Wall A+, Automatic cleaning	400	50	3	Nanofiber	90	Compressed air	2,2	17	12698063*** **
	FilterBox Wall A+, Automatic cleaning	400	50	3	Nanofiber	90	Compressed air	0,9	17	12697963*** *

*Without Fan. Not possible to use with sensor clamp, HEPA filter or Special Top Outlet square to round Ø 200.

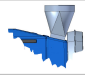





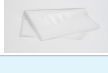
**Without Fan. Not possible to use with HEPA filter or Special Top Outlet square to round Ø 200.

***Not possible to use with sensor clamp.

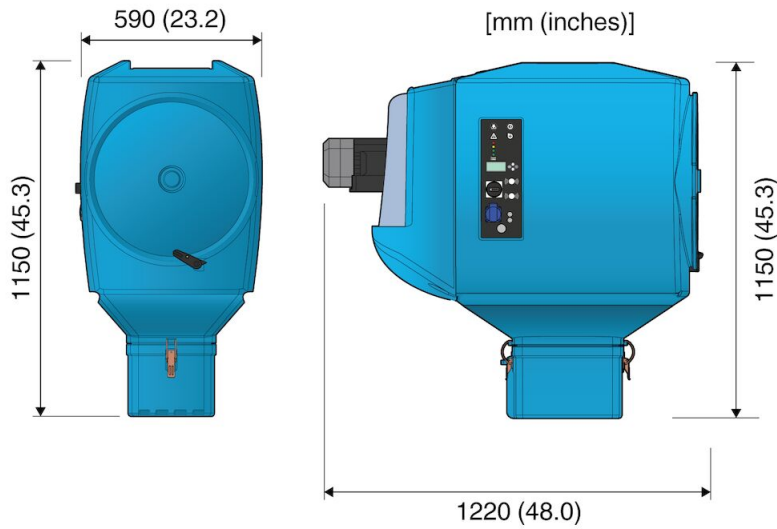
****Without Fan. Not possible to use with HEPA filter or Special Top Outlet square to round Ø 200. Filter class F9 (EN779), MERV 15 (ASHRAE 52.2)

*****Filter class F9 (EN779), MERV 15 (ASHRAE 52.2)

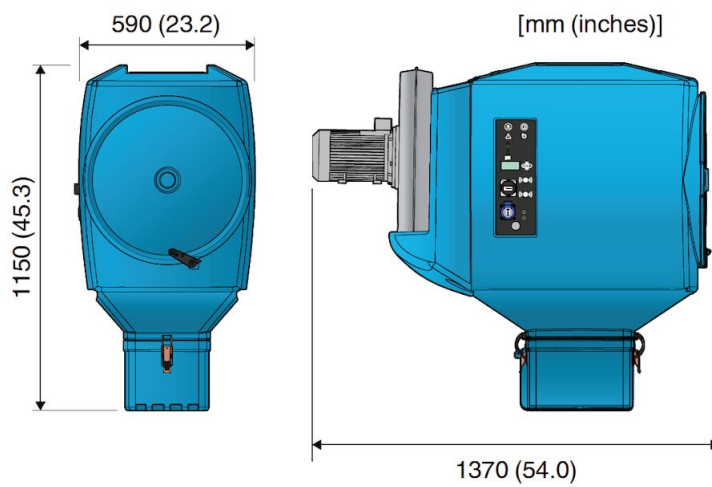
FilterBox Wall

Accessory		Part No
	Outlet with duct connection D=200mm	12376749
	Sensor Clamp	14372199
	Filter-PW-FB-13	12332672
	Filter PWA-FB-15	12371412
	HEPA filter H14 10m2 Filterbox	12376756
	HEPA filter H13 10m2 Filterbox	12376615
	Bags for Filterbox dust bin, 10pcs	12376618
	Twin Module blue	12376801
	Filter NANO-FB-17	12377251
	Filter PTFE-FB-13	12377252

FilterBox Wall

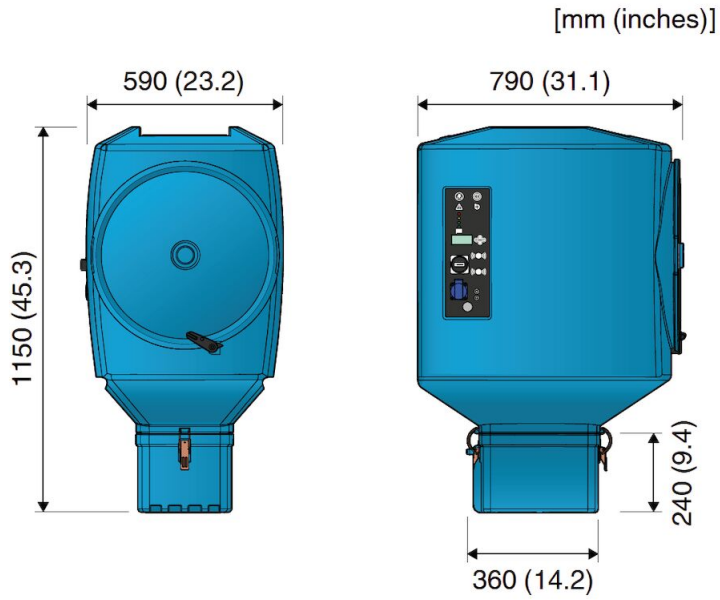


FilterBox Wall with N24 fan included



FilterBox Wall with N29 fan included

FilterBox Wall



FilterBox wall without fan