

Fan N29



A centrifugal fan mainly designed for use with Nederman extraction products.

- Compact
- Easy to use

Product name	Fan N29
Installation	[Indoor], [Outdoor]
Material	casings: Sheet metal steel Impeller: Sheet metal steel
Suitable for combustible dust	False
Airflow (CFM)	1650 CFM
Capacity (max airflow cfm)	1650
Ambient temperature range	-20 to +40 C (-4 F to 104 F)
Operating Temperature	Max 140 F (60 C)
Frequency (Hz)	60
No of phases	3
Weight (lbs)	71
Note	With fan bracket



Fan N29

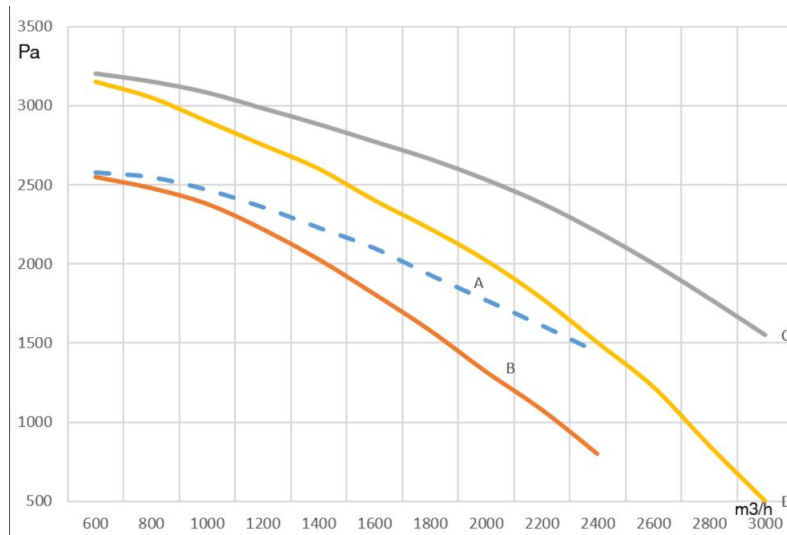
Power Voltage (V)	Amperage (A)	Power (Hp)	[model]
220/460	7,3/4,6	2,2	14510229*
575	3,2	3,0 (2,2 Kw)	14522129*

*With fan bracket

Fan N29

	[accessory]	[partno]
	Coupling tube Ø75mm	14503626
	Adaptor Ø125/Ø100 mm	14341077
	Adaptor Ø125/Ø75 mm	14341080
	Coupling tube Ø100mm	14504626
	Coupling tube Ø125mm	14505626
	Coupling tube Ø150mm	14506626
	Inlet adaptor for hose Ø160 mm	14510326
	Adaptor Ø160/ext. Ø75 mm	14510426
	Adaptor Ø160/ext. Ø100 mm	14510526
	Adaptor Ø160 ext./Ø125 mm	14510626
	Split inlet Ø160 int. / 2xØ100 mm ext.	14510726
	Adaptor Ø160/Ø150 mm	14511226
	Coupling tube Ø160mm	14511326
	Nozzle with magnet. 250 x 30 mm. Aluminium. Hose connection Ø100 mm.	14500226
	Nozzle with magnet. 260 x 100 mm. Polycarbonate. Hose connection Ø100 mm.	14501226
	Split inlet Ø125 int. / 2xØ125 mm ext.	14500726
	Split inlet Ø125 int. / 2xØ75 mm ext.	14500826
	Foot stand for fan 529.	14321745

Fan N29



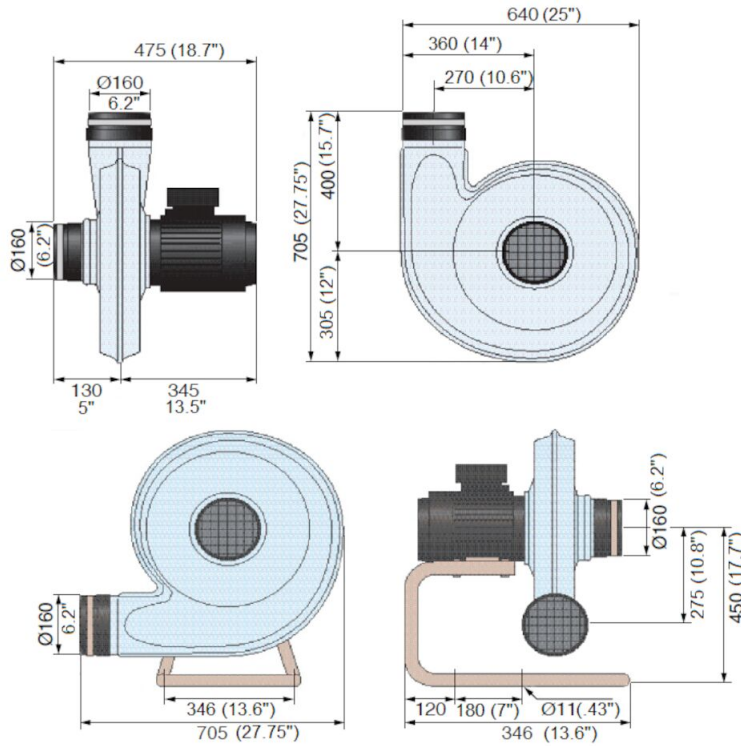
A = Fan total pressure (1,5 kW)

B = Fan static pressure (1,5 kW)

C = Fan total pressure (2,2 kW)

D = Fan static pressure (2,2 kW)

Fan N29



N29 fan, version with and without stand