

# CHANGING THE SPRING

## DISMANTLING

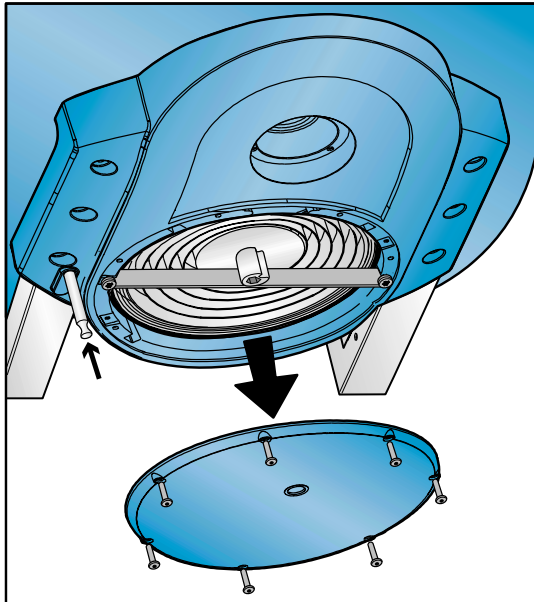
### WARNING!

Risk of personal injury!



- Before starting any operation in the reel, release the spring tension in the following way:
  1. Push the safety catch.
  2. Remove the hose stop and the nozzle.
  3. Take a steady grip in the hose and draw out the safety catch.
  4. Allow the hose to recoil until the spring tension is completely released.
  5. Push the safety clamp
- Follow these instructions carefully when handling the spring.

- 1 It is recommended to dismantle the reel from wall or ceiling.

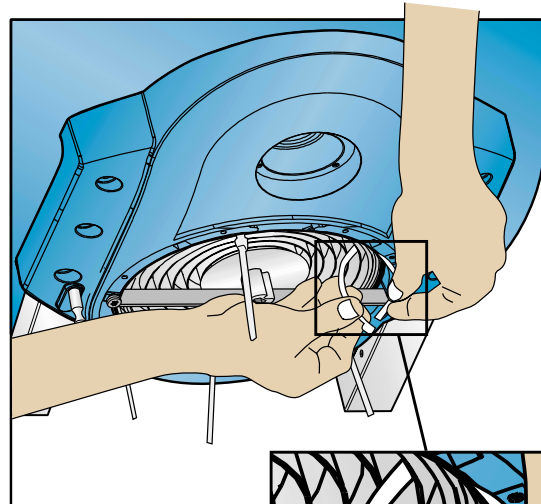


- 2 Unscrew the plastic cover.

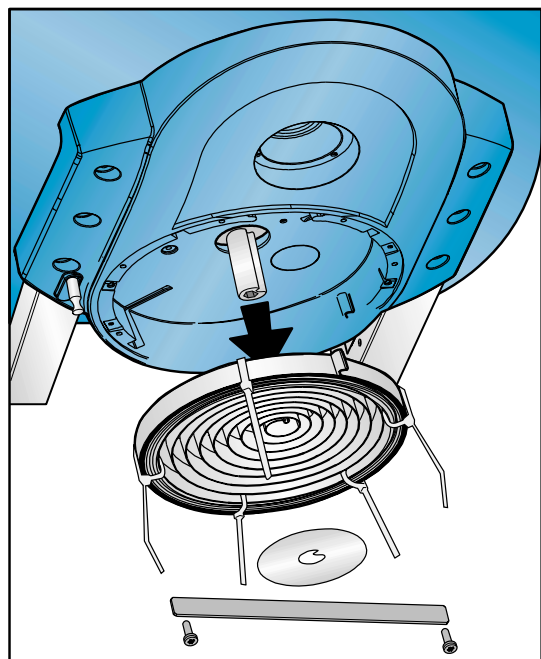
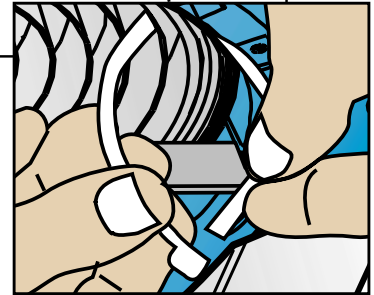
### 3

#### IMPORTANT!

Check the rivet which holds the spring together and is positioned at the spring periphery. If the rivet is damaged, the spring must **not** be removed from the gable. The gable including spring must in that case be changed as one unit.



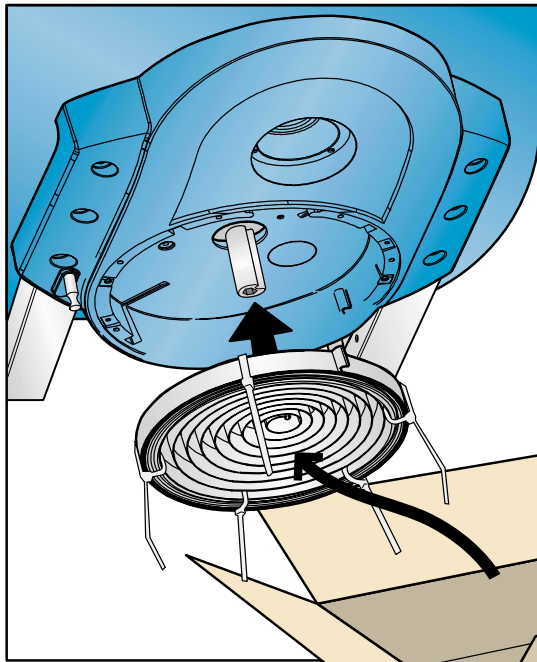
- 4 Fit the plastic stripes to the spring. The stripes comes in the package together with the new spring.



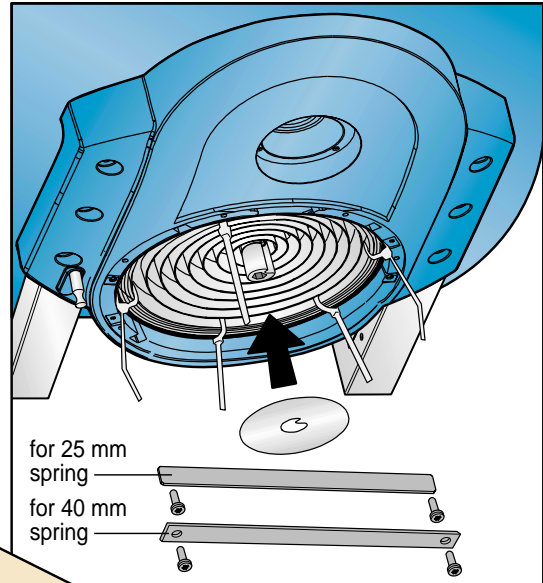
- 5 Remove the safety clamp and the washer.

- 6 Remove the damaged spring.

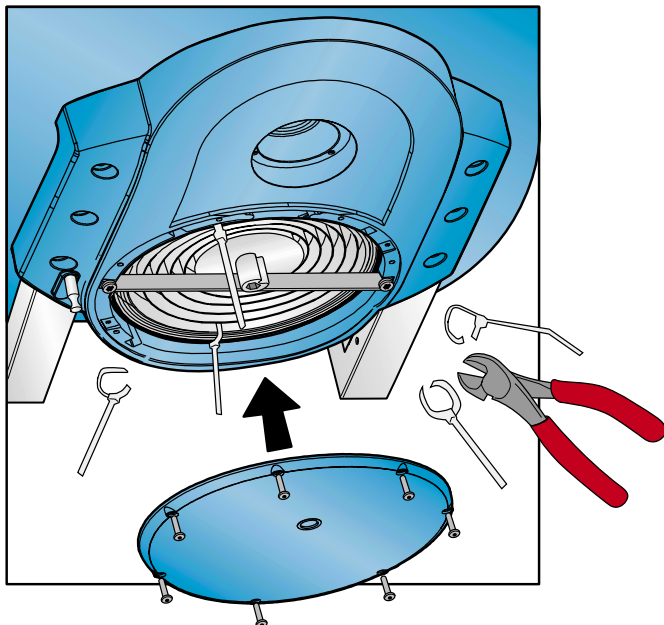
# ASSEMBLING



**7** Fit the new spring.



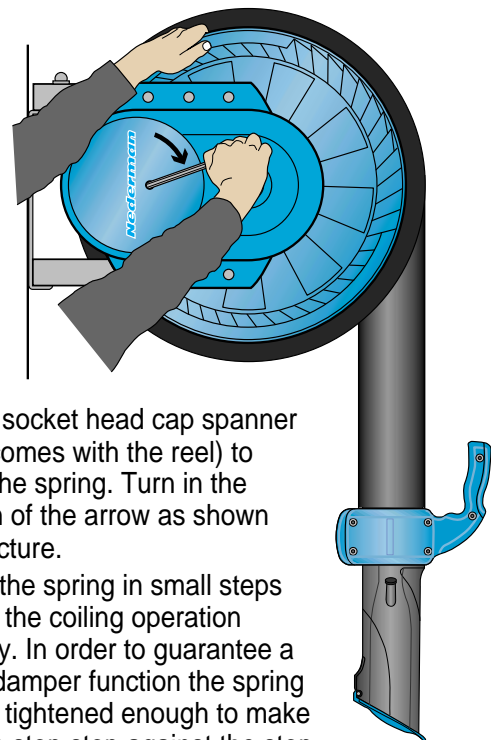
**8** Refit the washer and the safety clamp.



**9** Remove the plastic stripes and fasten the plastic cover.

**10** Remount the reel on intended place.

**11** Refit the hose stop and the nozzle.



**12**

Use the socket head cap spanner (which comes with the reel) to tighten the spring. Turn in the direction of the arrow as shown in the picture.

Tighten the spring in small steps and test the coiling operation gradually. In order to guarantee a correct damper function the spring must be tightened enough to make the hose stop stop against the stop tube at the reel stand.

**13** Check that the hose can be fully uncoiled without stretching the spring to its maximum.

## Depositing of used spring unit

The used spring should be deposited to steelworks for remelting or handled according to valid deposit rules.