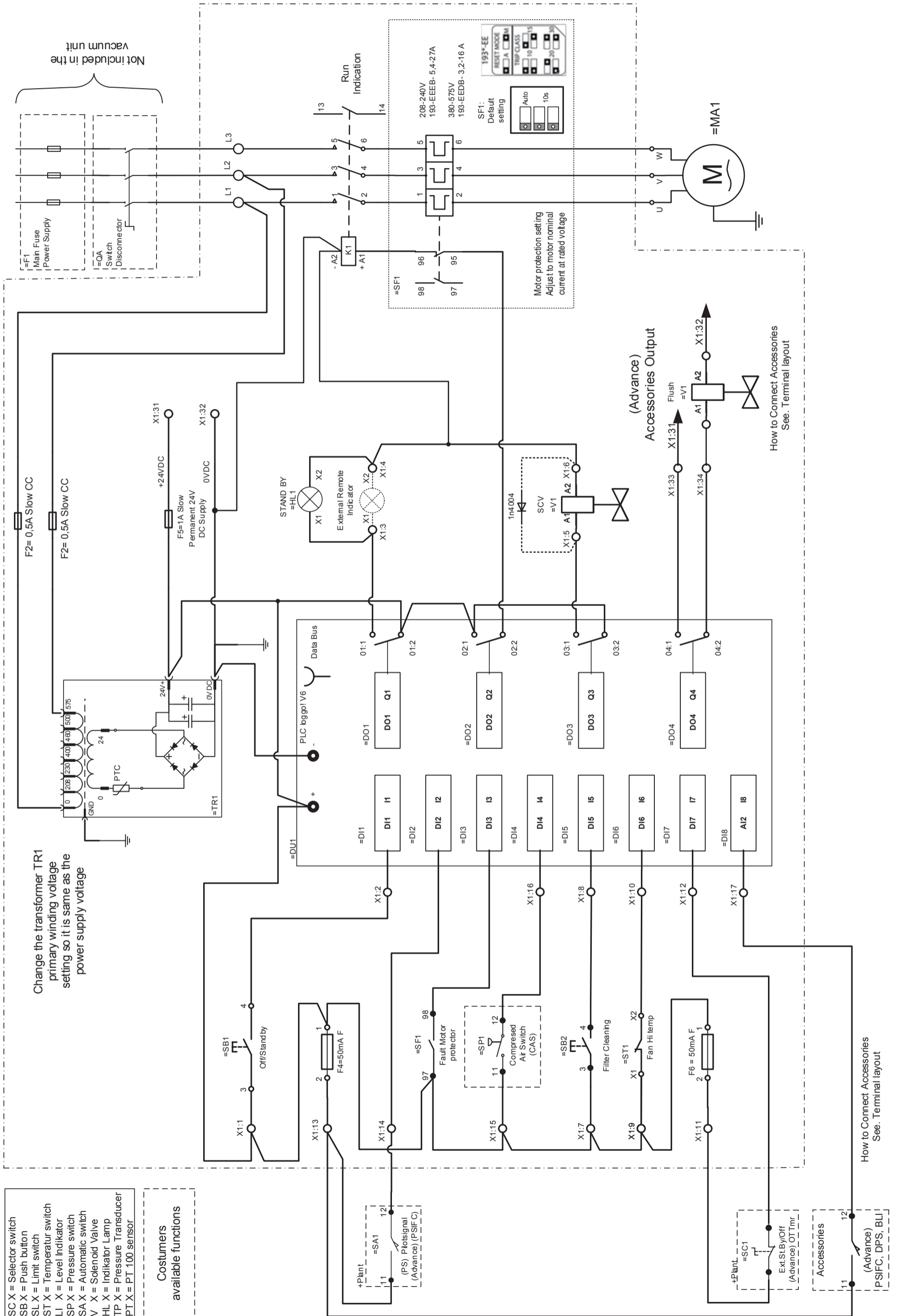
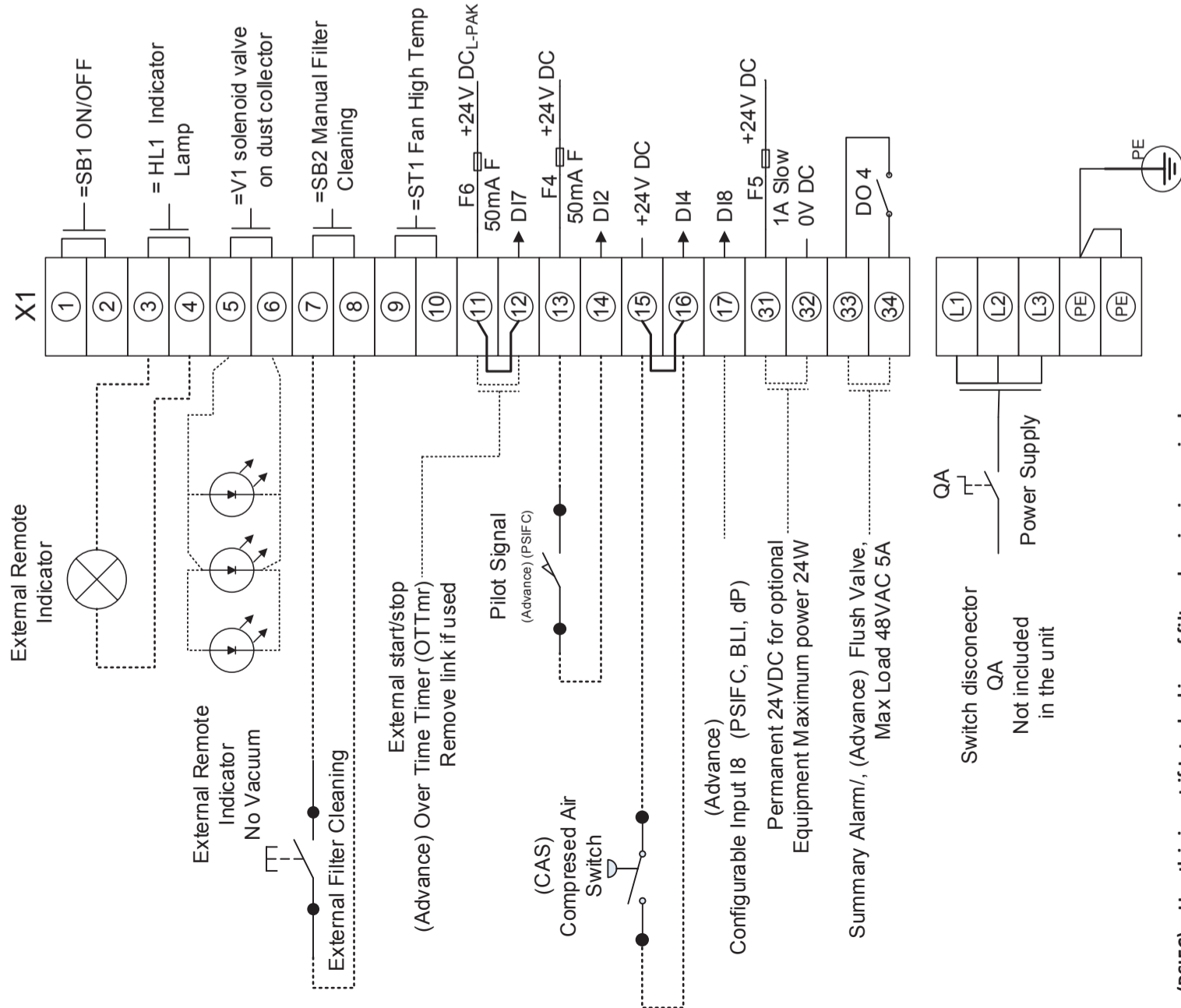


Circuit Diagram, L-PAK 150

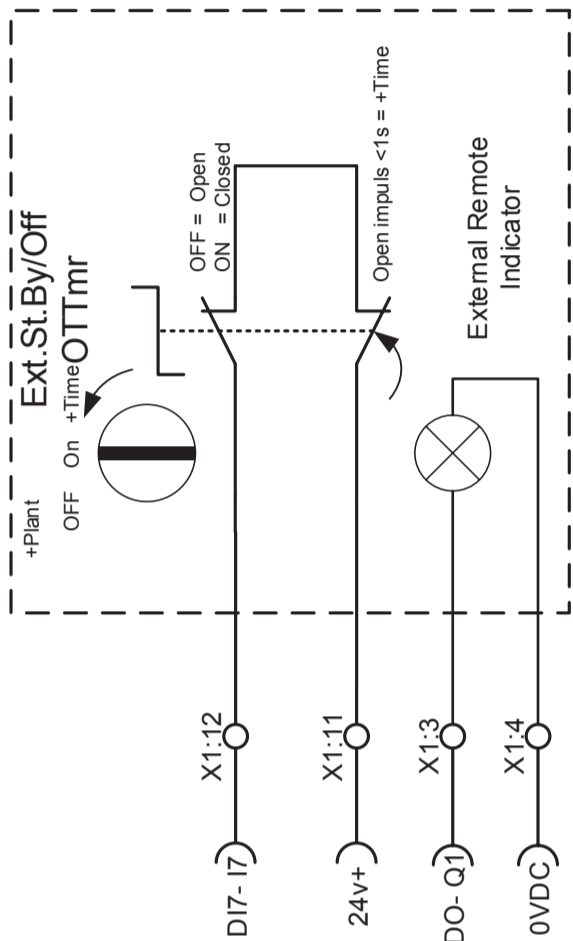


Customer Connection



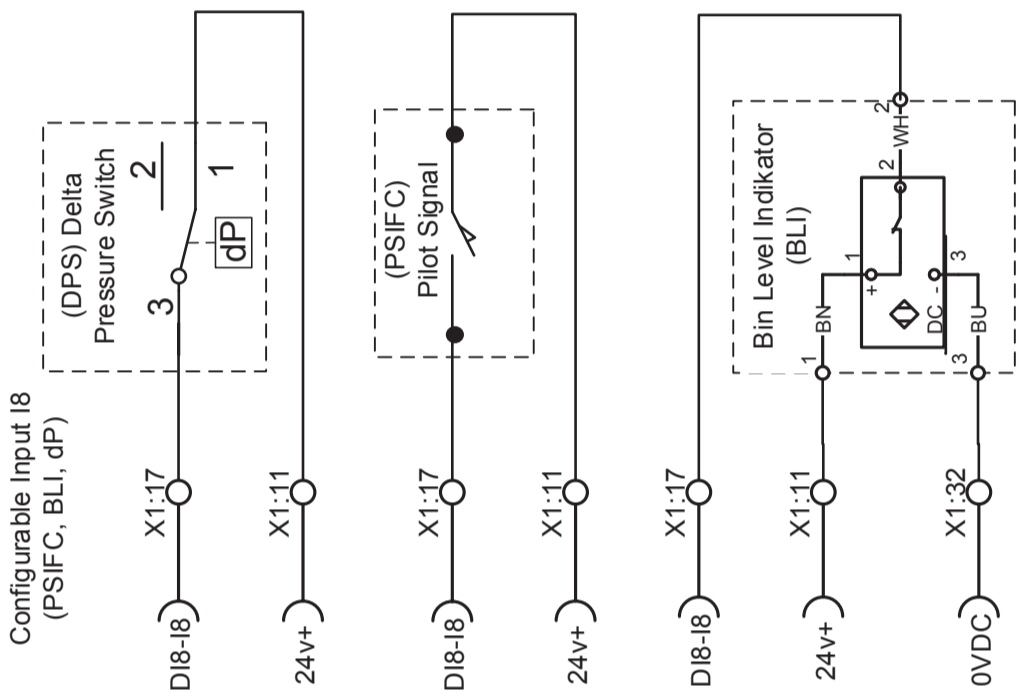
Internal Connection

Wiring diagrams for Ext. St.By/Off Switch and OTTmr Button



Overtime function only available on (Advance)

Configurable Input I8 (PSIFC, BLI, dP)



Parameter (Input_8_Conf) setting

BLI = On	PSIFC = Off	DPS = Off
BLI = Off	PSIFC = On	BLI = Off
PSI = Off	PSI = On	PSI = Off
DPSV = Off	DPS = Off	DPS = On

BLI = Priority 1, PSI = Priority 2, DPS = Priority 3

DPS, PSIFC, BLI Function only available on (Advance)

Terminal layout

(PSIFC) = Use this input if interlocking of filter cleaning is required

(CAS) Is Closed when Compressed Air pressure is > 3Bar

Remove jumpers from terminals if an accessories is Installed