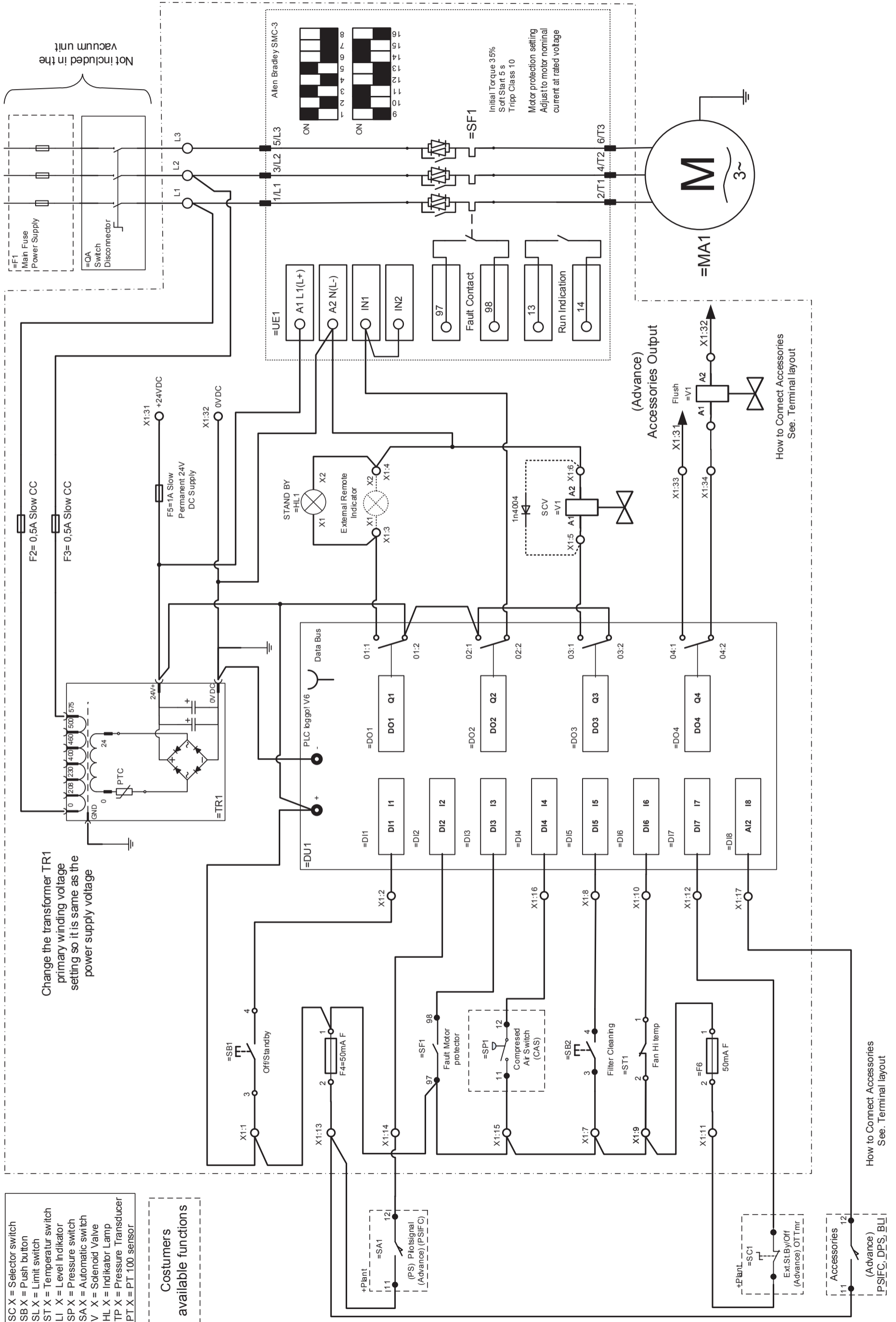


Circuit Diagram, L-PAK 250



- SC X = Selector switch
- SB X = Push button
- SL X = Limit switch
- ST X = Temperatur switch
- LI X = Level Indikator
- SP X = Pressure switch
- SA X = Automatic switch
- V X = Solenoid Valve
- HL X = Indikator Lamp
- TP X = Pressure Transducer
- PT X = PT 100 sensor

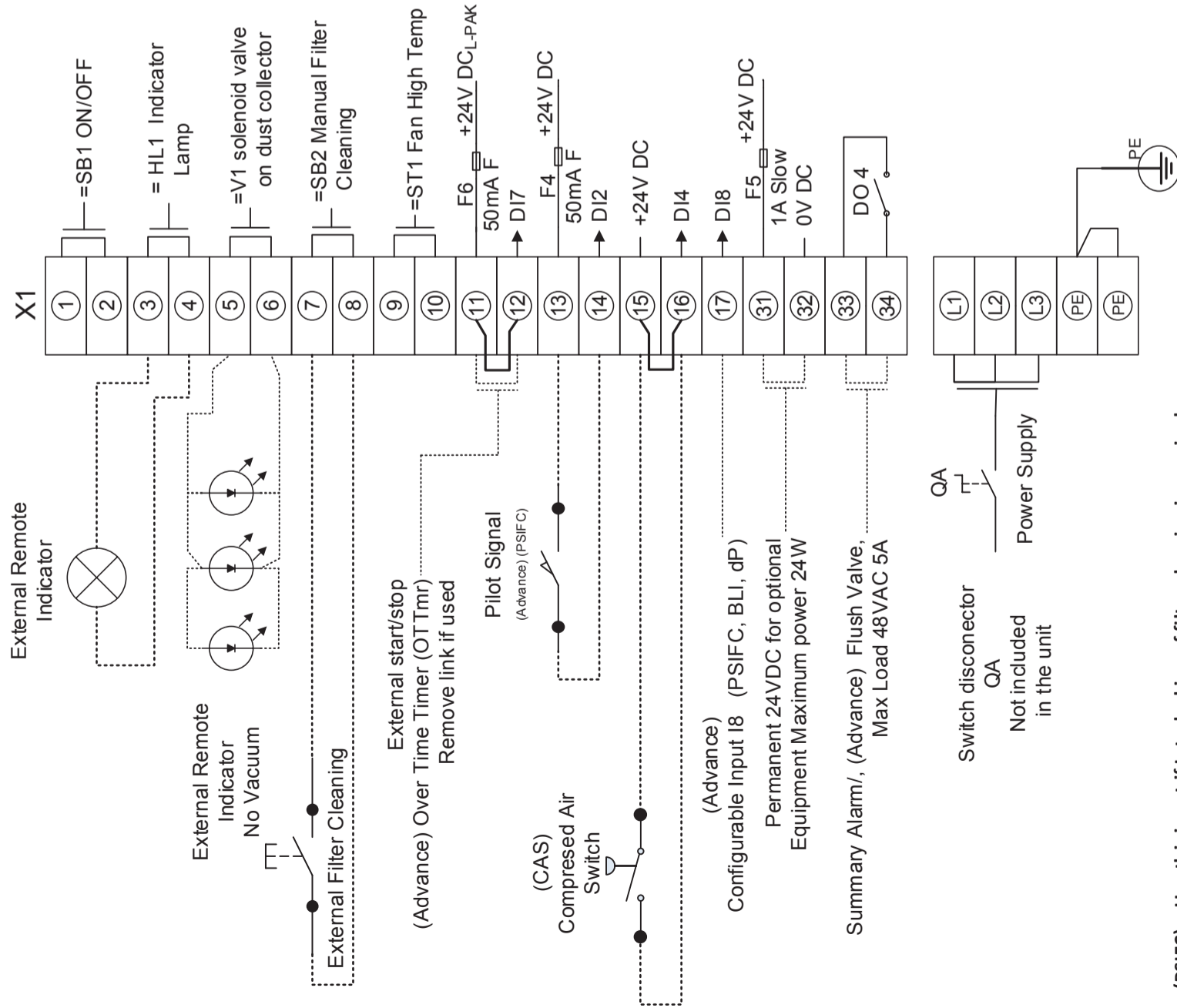
Customers available functions

Change the transformer TR1 primary winding voltage setting so it is same as the power supply voltage

How to Connect Accessories See. Terminal layout

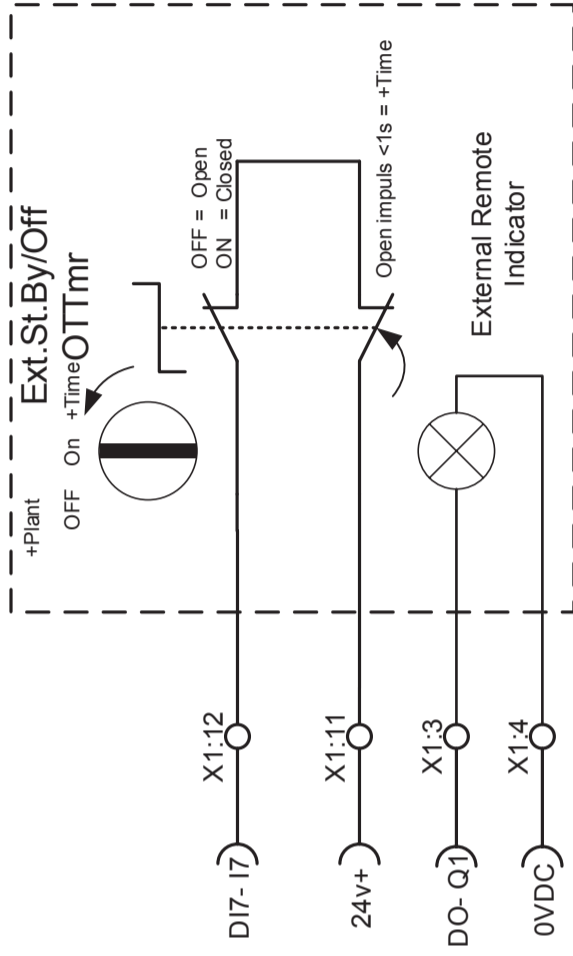
How to Connect Accessories See. Terminal layout

Customer Connection



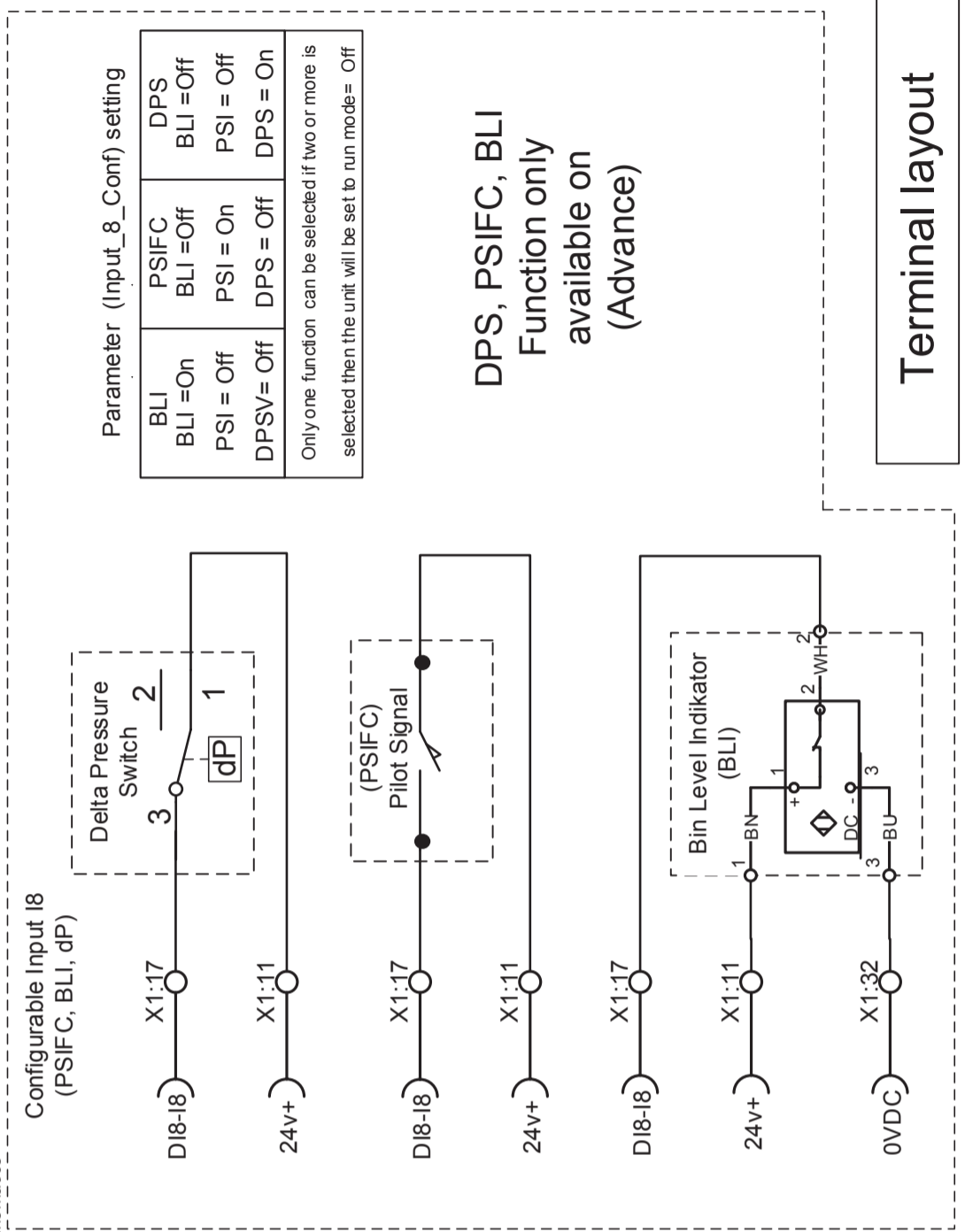
Internal Connection

Wiring diagrams for Ext.St.By/Off Switch and OTTmr Button



Overtime function only available on (Advance)

Configurable Input I8 (PSIFC, BLI, dP)



Parameter (Input_8_Conf) setting

BLI = On	PSIFC BLI = Off	DPS BLI = Off
PSI = Off	PSI = On	PSI = Off
DPSV = Off	DPS = Off	DPS = On

Only one function can be selected if two or more is selected then the unit will be set to run mode = Off

DPS, PSIFC, BLI Function only available on (Advance)

Terminal layout

(PSIFC) = Use this input if Interlocking of filter cleaning is required

(CAS) Is Closed when Compressed Air pressure is > 3Bar

Remove jumpers from terminals if an accessories is Installed