

## QFS adapters and accessories

Adapters and various accessories for QFS (Quick Fit Sealed) ducting systems

---



---

Product name	QFS adapters and accessories
Material	Galv
End Type A	QF
Length	130
Length (unit)	mm

# QFS adapters and accessories

Image	Name in ERP	Suitable markets (Nordfab)	Legacy Item No.	Material Thickness	Diameter A	Weight	Model
	End Cap QFS Galv 0,7mm 80QF	Europe (non UK)	LF22012-080	0,7mm	80	0,16	8210001050
	End Cap QFS Galv 0,7mm 100QF	Europe (non UK)	LF22012-100	0,7mm	100	0,06	8210001051
	End Cap QFS Galv 0,7mm 125QF	Europe (non UK)	LF22012-125	0,7mm	125	0,40	8210001052
	End Cap QFS Galv 0,7mm 140QF	Europe (non UK)	LF22012-140	0,7mm	140	0,46	8210001053
	End Cap QFS Galv 0,7mm 150QF	Europe (non UK)	LF22012-150	0,7mm	150	0,46	8210001054
	End Cap QFS Galv 0,7mm 160QF	Europe (non UK)	LF22012-160	0,7mm	160	0,34	8210001055
	End Cap QFS Galv 0,7mm 180QF	Europe (non UK)	LF22012-180	0,7mm	180	0,42	8210001056
	End Cap QFS Galv 0,7mm 200QF	Europe (non UK)	LF22012-200	0,7mm	200	0,60	8210001057
	End Cap QFS Galv 0,7mm 224QF	Europe (non UK)	LF22012-224	0,7mm	224	0,60	8210001058
	End Cap QFS Galv 0,7mm 250QF	Europe (non UK)	LF22012-250	0,7mm	250	0,68	8210001059
	End Cap QFS Galv 0,7mm 300QF	Europe (non UK)	LF22012-300	0,7mm	300	0,90	8210001060
	End Cap QFS Galv 0,7mm 315QF	Europe (non UK)	LF22012-315	0,7mm	315	0,95	8210001061
	End Cap QFS Galv 0,7mm 350QF	Europe (non UK)	LF22012-350	0,7mm	350	1,08	8210001062
	End Cap QFS Galv 0,9mm 400QF	Europe (non UK)	LF22012-400	0,9mm	400	1,36	8210001063
	Adapter Ventilation QFS Galv 0,7mm 80QF	Europe (non UK)	LF22014-080	0,7mm	80	0,16	8210000125

# QFS adapters and accessories

Image	Name in ERP	Suitable markets (Nordfab)	Legacy Item No.	Material Thickness	Diameter A	Weight	Model
	Adapter Ventilation QFS Galv 0,7mm 100QF	Europe (non UK)	LF22014-100	0,7mm	100	0,22	8210000126
	Adapter Ventilation QFS Galv 0,7mm 125QF	Europe (non UK)	LF22014-125	0,7mm	125	0,26	8210000127
	Adapter Ventilation QFS Galv 0,7mm 140QF	Europe (non UK)	LF22014-140	0,7mm	140	0,30	8210000128
	Adapter Ventilation QFS Galv 0,7mm 150QF	Europe (non UK)	LF22014-150	0,7mm	150	0,32	8210000129
	Adapter Ventilation QFS Galv 0,7mm 160QF	Europe (non UK)	LF22014-160	0,7mm	160	0,34	8210000130
	Adapter Ventilation QFS Galv 0,7mm 180QF	Europe (non UK)	LF22014-180	0,7mm	180	0,38	8210000131
	Adapter Ventilation QFS Galv 0,7mm 200QF	Europe (non UK)	LF22014-200	0,7mm	200	0,42	8210000132
	Adapter Ventilation QFS Galv 0,7mm 224QF	Europe (non UK)	LF22014-224	0,7mm	224	0,48	8210000133
	Adapter Ventilation QFS Galv 0,7mm 250QF	Europe (non UK)	LF22014-250	0,7mm	250	0,54	8210000134
	Adapter Ventilation QFS Galv 0,7mm 300QF	Europe (non UK)	LF22014-300	0,7mm	300	0,64	8210000135
	Adapter Ventilation QFS Galv 0,7mm 315QF	Europe (non UK)	LF22014-315	0,7mm	315	0,66	8210000136
	Adapter Ventilation QFS Galv 0,7mm 350QF	Europe (non UK)	LF22014-350	0,7mm	350	0,74	8210000137
	Adapter Ventilation QFS Galv 0,9mm 400QF	Europe (non UK)	LF22014-400	0,9mm	400	1,08	8210000138
	Adapter Machine Expanded QFS Galv 0,7mm 80QF L=0,13m	Europe (non UK)	LF22023-080	0,7mm	80	0,25	8210000038
	Adapter Machine Expanded QFS Galv 0,7mm 100QF L=0,13m	Europe (non UK)	LF22023-100	0,7mm	100	0,3	8210000039










# QFS adapters and accessories

Image	Name in ERP	Suitable markets (Nordfab)	Legacy Item No.	Material Thickness	Diameter A	Weight	Model
	Adapter Machine Expanded QFS Galv 0,7mm 125QF L=0,13m	Europe (non UK)	LF22023-125	0,7mm	125	0,38	8210000040
	Adapter Machine Expanded QFS Galv 0,7mm 140QF L=0,13m	Europe (non UK)	LF22023-140	0,7mm	140	0,43	8210000041
	Adapter Machine Expanded QFS Galv 0,7mm 150QF L=0,13m	Europe (non UK)	LF22023-150	0,7mm	150	0,45	8210000042
	Adapter Machine Expanded QFS Galv 0,7mm 160QF L=0,13m	Europe (non UK)	LF22023-160	0,7mm	160	0,48	8210000043
	Adapter Machine Expanded QFS Galv 0,7mm 180QF L=0,13m	Europe (non UK)	LF22023-180	0,7mm	180	0,58	8210000044
	Adapter Machine Expanded QFS Galv 0,7mm 200QF L=0,13m	Europe (non UK)	LF22023-200	0,7mm	200	0,63	8210000045
	Adapter Machine Expanded QFS Galv 0,7mm 224QF L=0,13m	Europe (non UK)	LF22023-224	0,7mm	224	0,7	8210000046
	Adapter Machine Expanded QFS Galv 0,7mm 250QF L=0,13m	Europe (non UK)	LF22023-250	0,7mm	250	0,8	8210000047
	Adapter Machine Expanded QFS Galv 0,7mm 300QF L=0,13m	Europe (non UK)	LF22023-300	0,7mm	300	0,98	8210000048
	Damper QFS Manual 100QF	Europe (non UK)	LF23005-100		100	6,00	8210000805
							8210000806*
	Damper QFS Manual 160QF	Europe (non UK)	LF23005-160		160	7,00	8210003389
	Damper QFS Manual 200QF	Europe (non UK)	LF23005-200		200	9,00	8210000807
	Damper QFS Manual 250QF	Europe (non UK)	LF23005-250		250	10,00	8210000808
	Damper QFS Manual 300QF	Europe (non UK)	LF23005-300		300	10,00	8210000809

## QFS adapters and accessories

Image	Name in ERP	Suitable markets (Nordfab)	Legacy Item No.	Material Thickness	Diameter A	Weight	Model
	Damper QFS Manual 350QF	Europe (non UK)	LF23005-350		350	11,5	8210000810
	Damper QFS Manual 400QF	Europe (non UK)	LF23005-400		400	11,5	8210000811
	Damper QFS Automatic 100QF	Europe (non UK)	LF23010-100		100	7,50	8210000798
							8210000799**
	Damper QFS Automatic 160QF	Europe (non UK)	LF23010-160		160	8,50	8210003390
	Damper QFS Automatic 200QF	Europe (non UK)	LF23010-200		200	10,50	8210000800
	Damper QFS Automatic 250QF	Europe (non UK)	LF23010-250		250	11,50	8210000801
	Damper QFS Automatic 300QF	Europe (non UK)	LF23010-300		300	11,50	8210000802
	Damper QFS Automatic 350QF	Europe (non UK)	LF23010-350		350	13,00	8210000803
	Damper QFS Automatic 400QF	Europe (non UK)	LF23010-400		400	13,00	8210000804
	Oil Mist Drain QFS Galv 0,9mm 80QF	Europe (non UK)	LF23020-080	0,9mm	80	4,50	8210001134
	Oil Mist Drain QFS Galv 0,9mm 100QF	Europe (non UK)	LF23020-100	0,9mm	100	4,30	8210001135
	Oil Mist Drain QFS Galv 0,9mm 125QF	Europe (non UK)	LF23020-125	0,9mm	125	4,30	8210001136
	Oil Mist Drain QFS Galv 0,9mm 140QF	Europe (non UK)	LF23020-140	0,9mm	140	4,30	8210001137
	Oil Mist Drain QFS Galv 0,9mm 150QF	Europe (non UK)	LF23020-150	0,9mm	150	10,50	8210001138

## QFS adapters and accessories

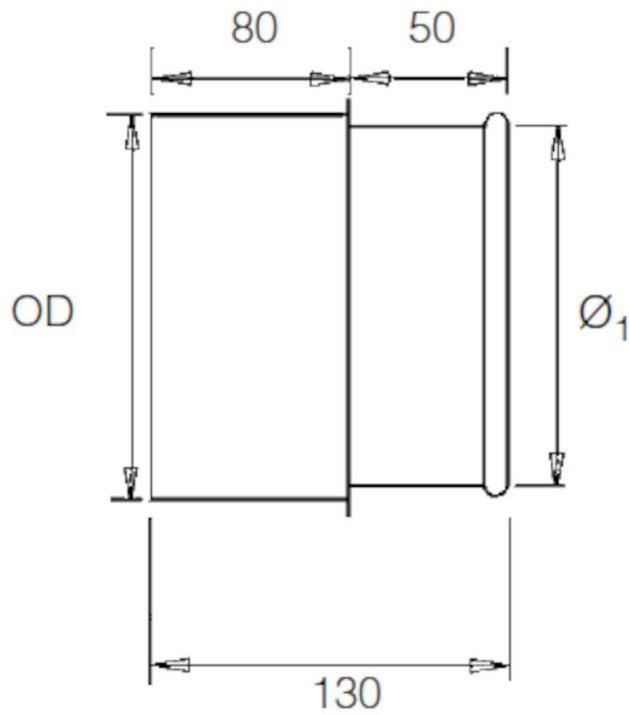
Image	Name in ERP	Suitable markets (Nordfab)	Legacy Item No.	Material Thickness	Diameter A	Weight	Model
	Oil Mist Drain QFS Galv 0,9mm 160QF	Europe (non UK)	LF23020-160	0,9mm	160	10,50	8210001139
	Oil Mist Drain QFS Galv 0,9mm 180QF	Europe (non UK)	LF23020-180	0,9mm	180	10,50	8210001140
	Oil Mist Drain QFS Galv 0,9mm 200QF	Europe (non UK)	LF23020-200	0,9mm	200	10,50	8210001141
	Oil Mist Drain QFS Galv 0,9mm 224QF	Europe (non UK)	LF23020-224	0,9mm	224	10,50	8210001142
	Oil Mist Drain QFS Galv 0,9mm 250QF	Europe (non UK)	LF23020-250	0,9mm	250	10,50	8210001143
	Oil Mist Drain QFS Galv 0,9mm 300QF	Europe (non UK)	LF23020-300	0,9mm	300	18,00	8210001144
	Oil Mist Drain QFS Galv 0,9mm 315QF	Europe (non UK)	LF23020-315	0,9mm	315	18,00	8210001145
	Oil Mist Drain QFS Galv 0,9mm 350QF	Europe (non UK)	LF23020-350	0,9mm	350	18,00	8210001146
	Oil Mist Drain QFS Galv 0,9mm 400QF	Europe (non UK)	LF23020-400	0,9mm	400	18,00	8210001147

\*Manual Damper

\*\*Automatic Damper

# QFS adapters and accessories

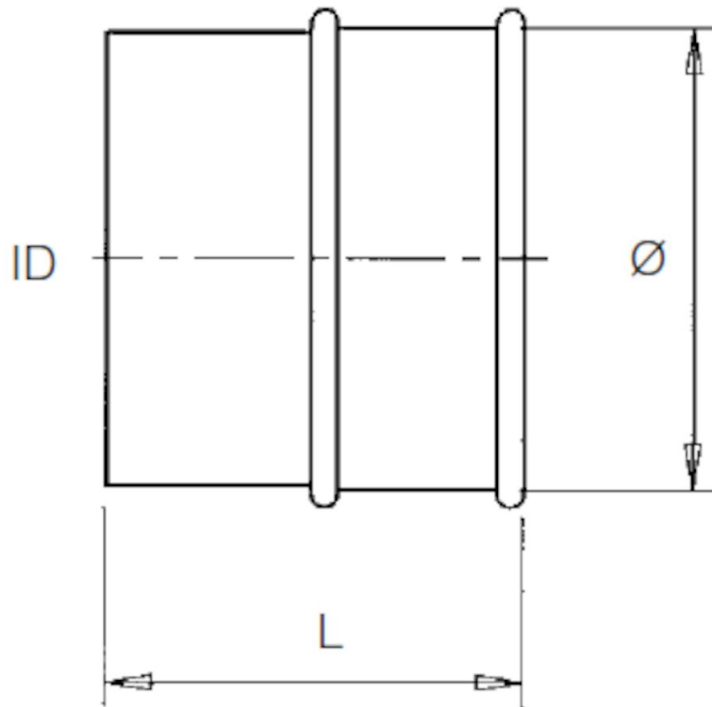
QF Machine adapter dimensions



QF Machine adapter dimensions

# QFS adapters and accessories

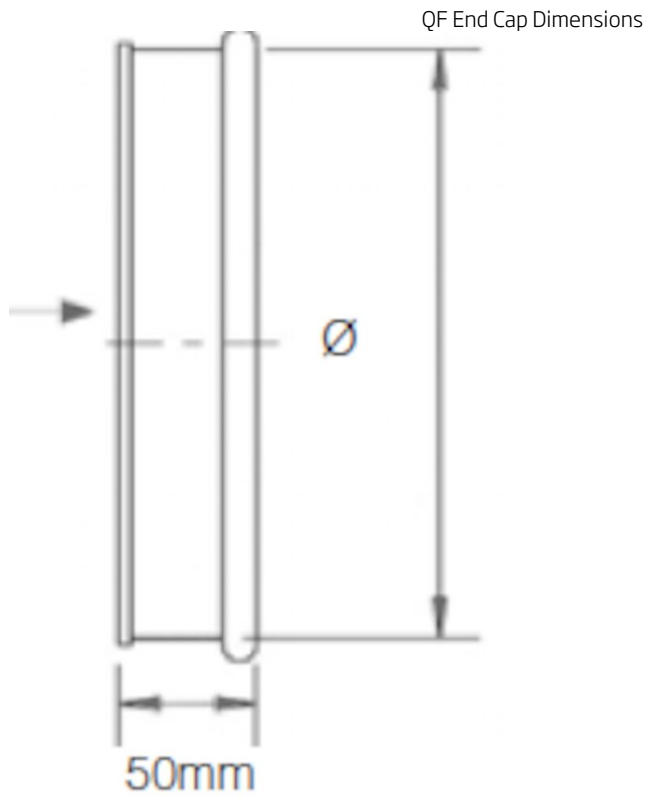
QF Ventilation adapter



QF Ventilation adapter



## QFS adapters and accessories



QF End Cap Dimensions, 22012-XXX

