

Air driven series

405A - NE52, S50

42140500

Original manual

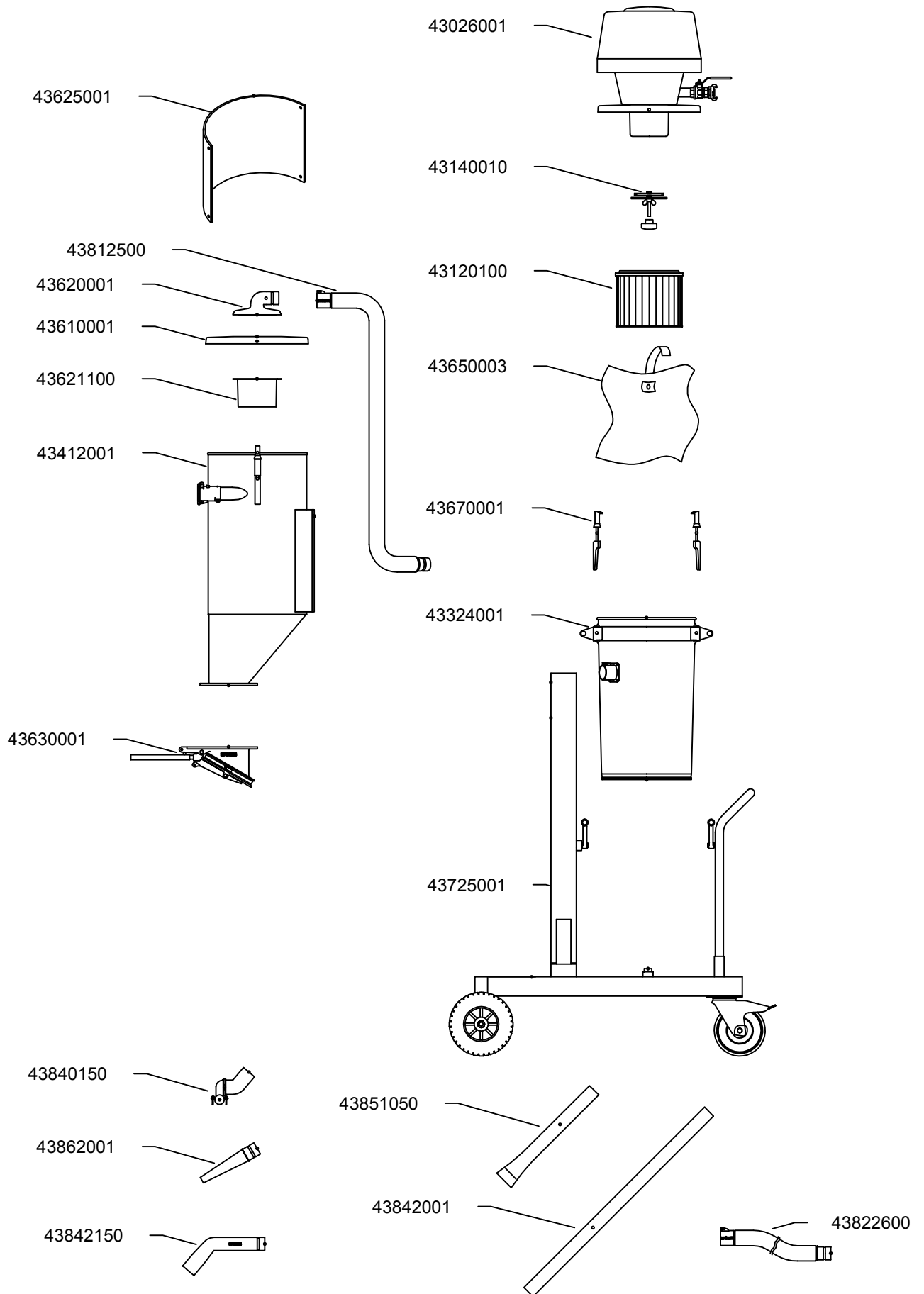
EN MODEL SPECIFICATION AND SPARE PARTS

Model Specification

Description: 405A - NE52, S50.

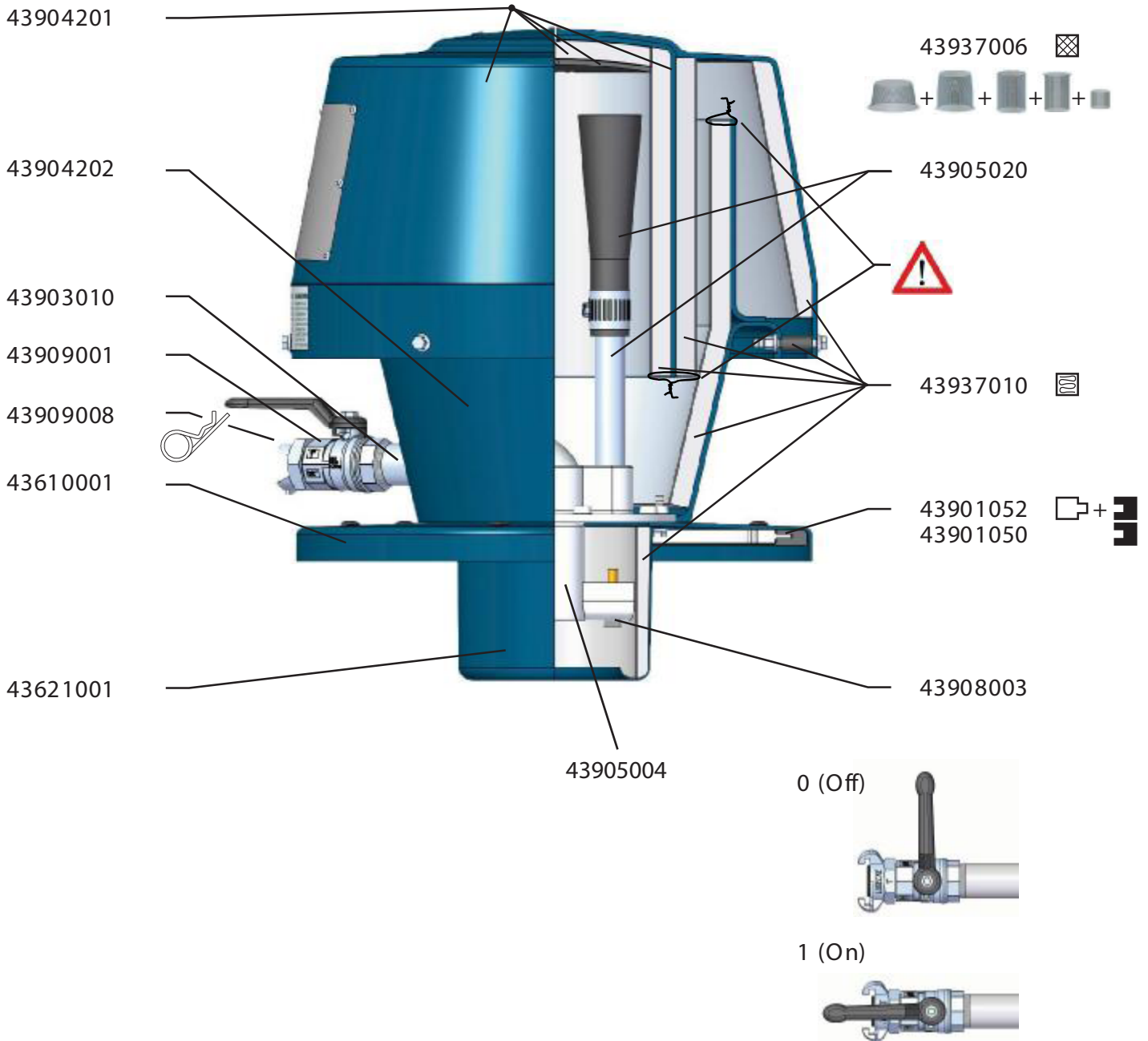
Model: 42140500

Code no.	Description	Qty.	Page
43026001	NE52, S50	1	4
43120100	Cartridge filter L=220 A=2.38m ²	1	-
43140010	Clamp f/cartr.filter M10 L=90 El-Zn	1	-
43324001	Container S50 2 cont. comb.	1	5
43412001	Silo S50 f/wall d51	1	6
43610001	Lid S50	1	-
43620001	Suction outlet w/flange d51	1	7
43621100	Cup w/flange f/dry suct	1	-
43625001	Abrasion plate f/silo S50	1	-
43630001	Discharge valve manual	1	8
43650003	Disposable dustbag S50, 5pcs non EX	1	-
43670001	Fastener complete	1	-
43725001	Mobile frame S50	1	9
43812500	Suction hose PE d51 L=1.35m	1	-
43822600	Hose PVC-51 L=7,5m incl couplings	1	-
43840150	Floor suct head d51/500	1	10
43842001	Suction pipe d51 PEHD-el	1	-
43842150	Pipe bend d51 antistatic	1	-
43851050	Scraping tool d51 L=500	1	-
43862001	Conical nozzle d51	1	-



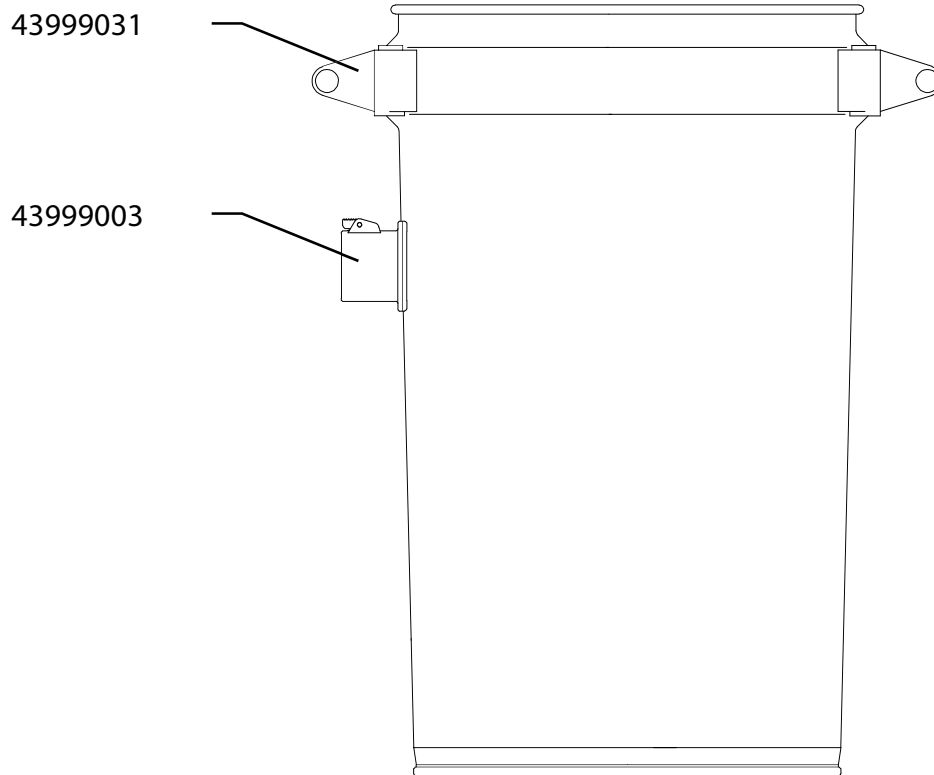


MAX 8 bar





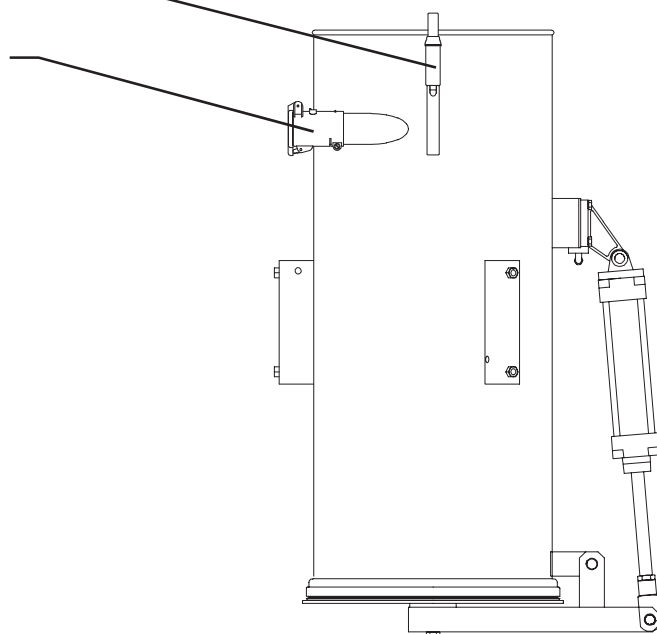
S235JR(St37.2)

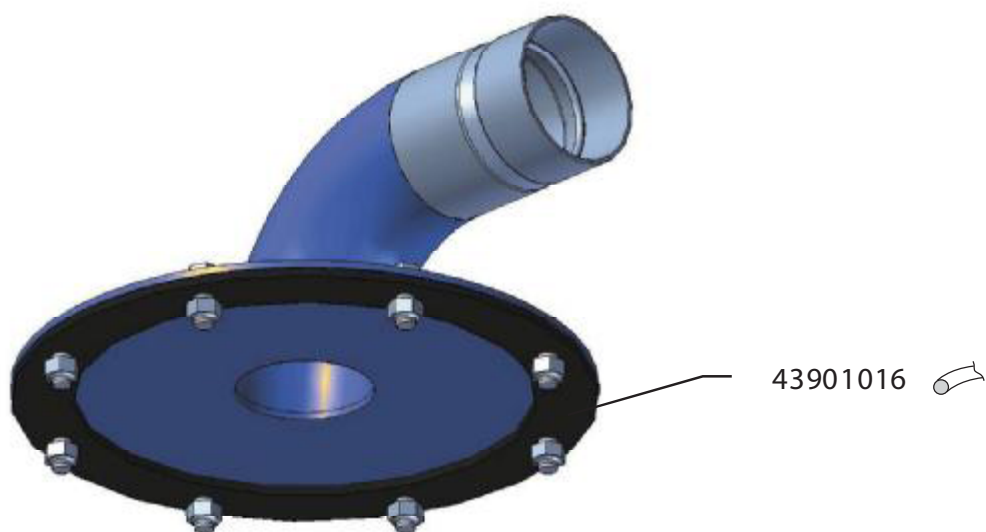


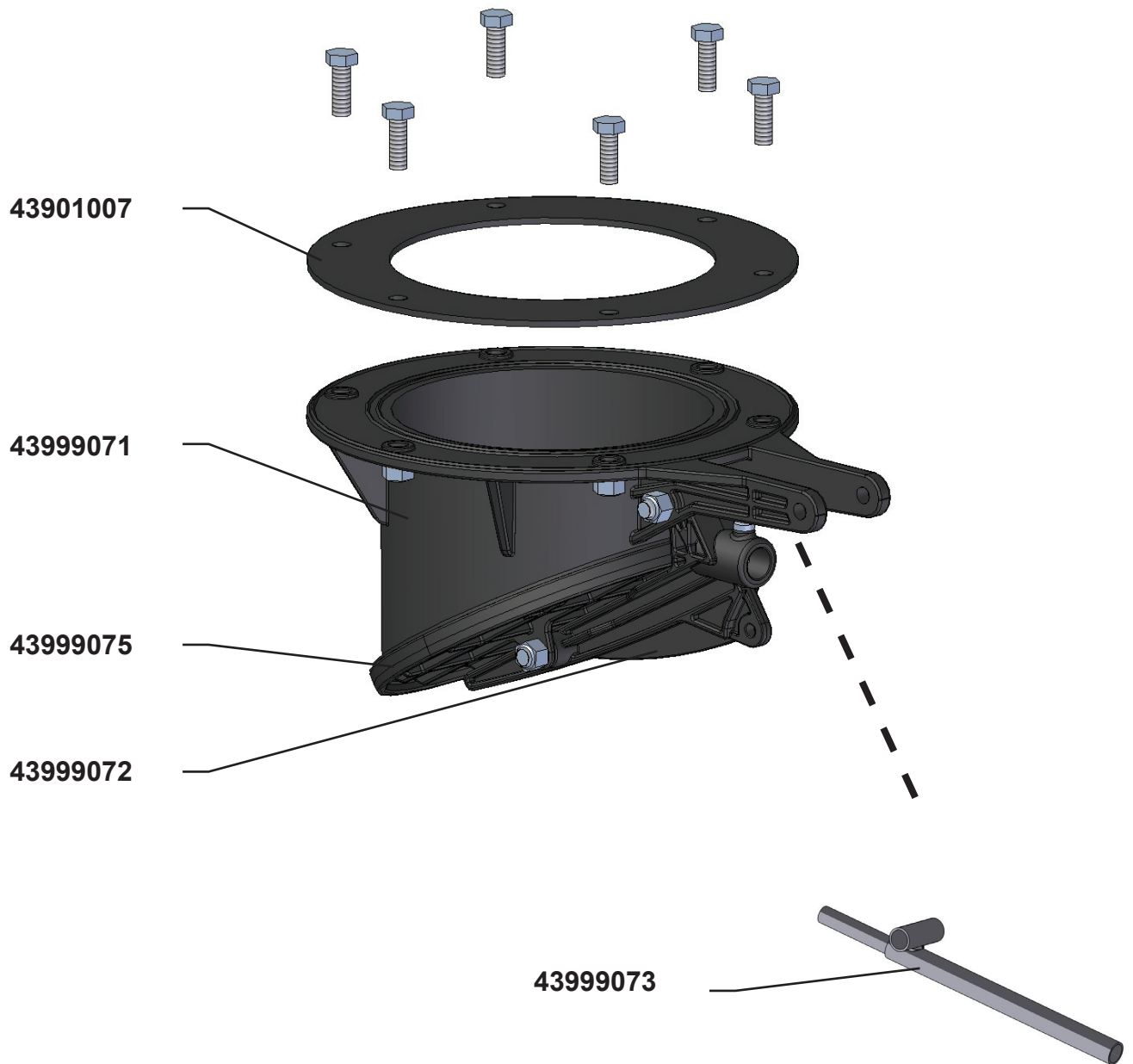


43999012

43885001









S 235JR (St37.2)

