

Air driven series

**600A - NE64, S200**

42160000

---

**Original manual**

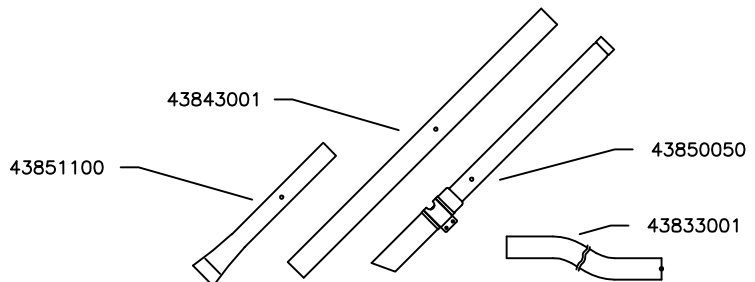
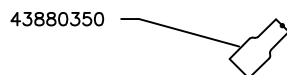
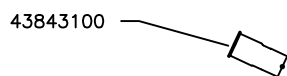
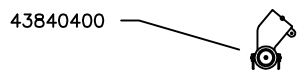
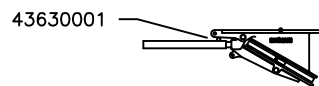
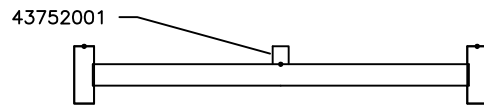
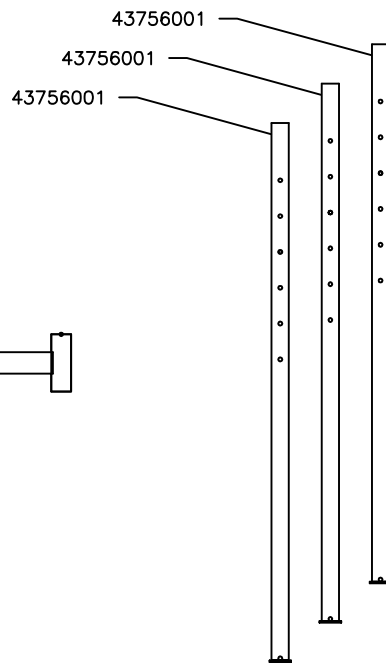
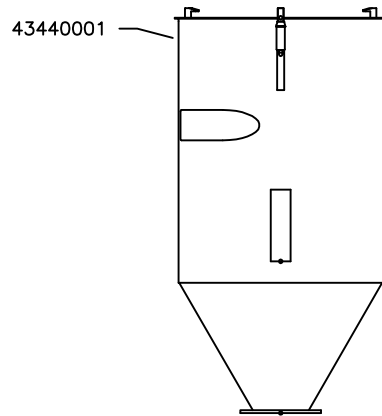
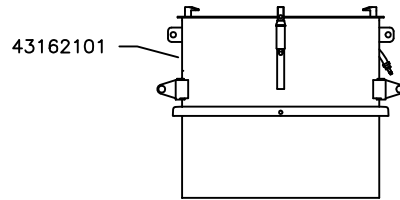
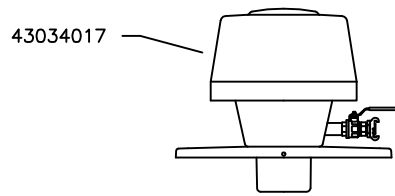
EN MODEL SPECIFICATION AND SPARE PARTS

## Model Specification

**Description:** 600A - NE64, S200

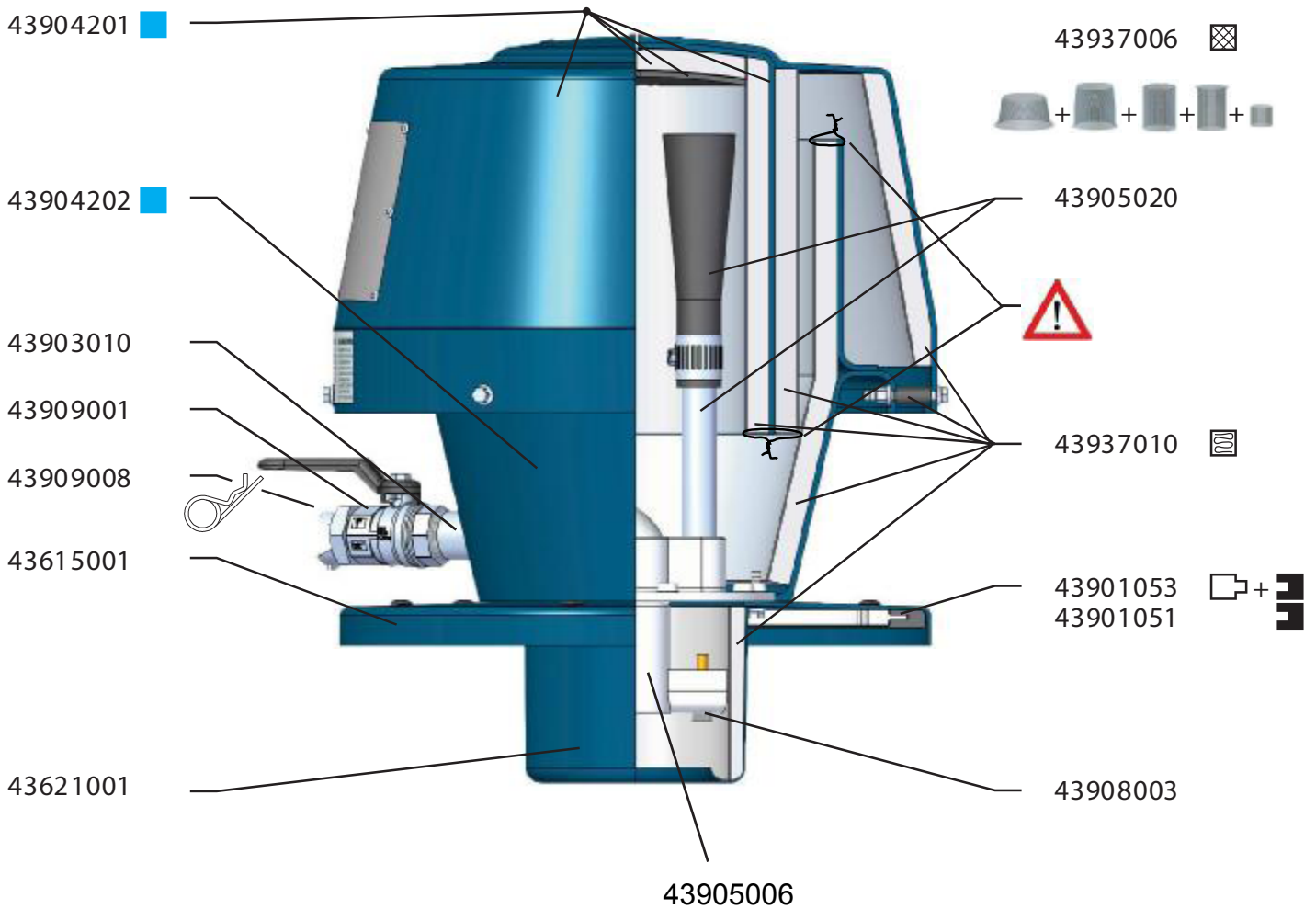
**Model:** 42160000

Code no.	Description	Qty.	Page
43034017	NE64, S200 w/1 q.coupl	1	4
43162101	NCF3.15-I S200 Vyon F	1	5
43440001	Silo S200 f/leg w/ih d76	1	6
43630001	Discharge valve manual	1	7
43752001	Triangular frame f/silo S200	1	-
43756001	Leg straight L=1500mm	3	-
43833001	Suction hose PU d63 L=10m	1	-
43840400	Floor suct head d63/500	1	8
43843001	Suction pipe d63x2x1000	1	-
43843050	Pipe bend d63 Alu	1	-
43843100	Swivel d63	1	-
43850050	Gulper head d63	1	-
43851100	Scraping tool d63 L=500	1	-
43880350	Reducer conical d76-63	1	-



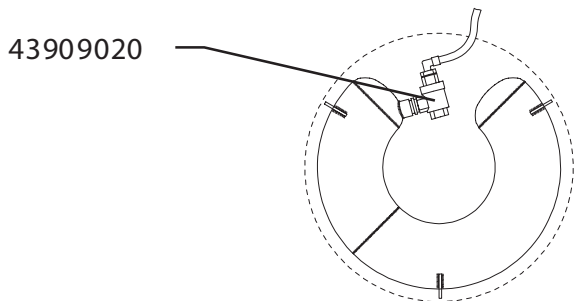
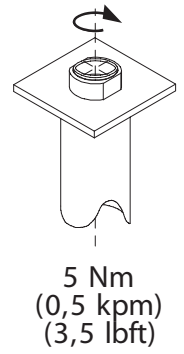
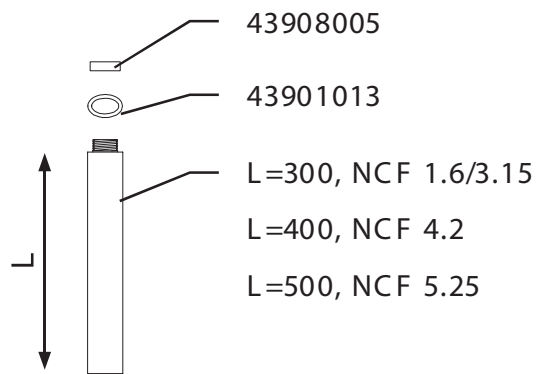
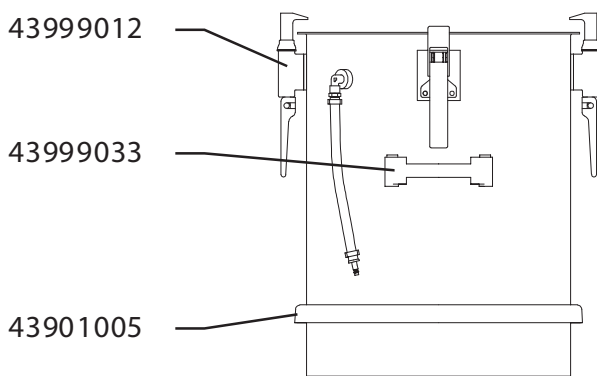


MAX 8 bar





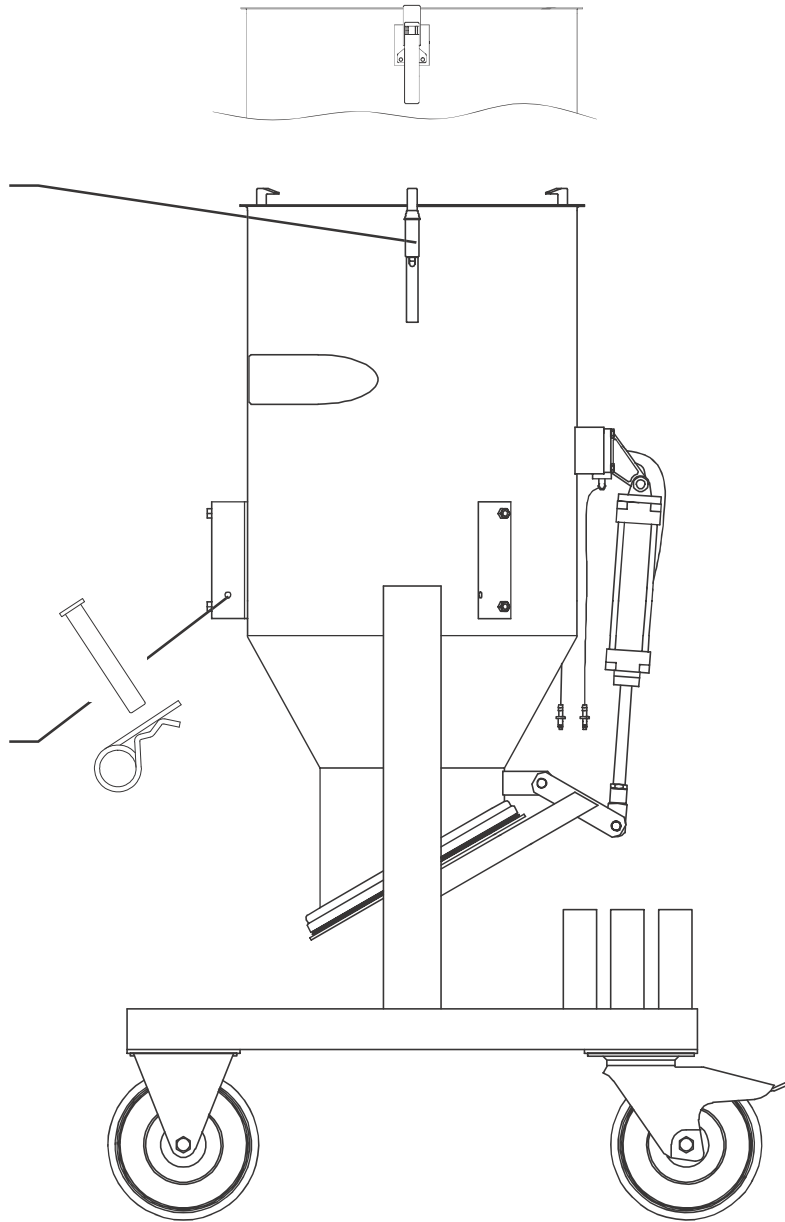
MAX 8 bar





43999012

43908006





MAX 1.5 bar

