

Electric driven series

116E - NEL3R, S50, 230V, 50/60Hz

42411600

Original manual

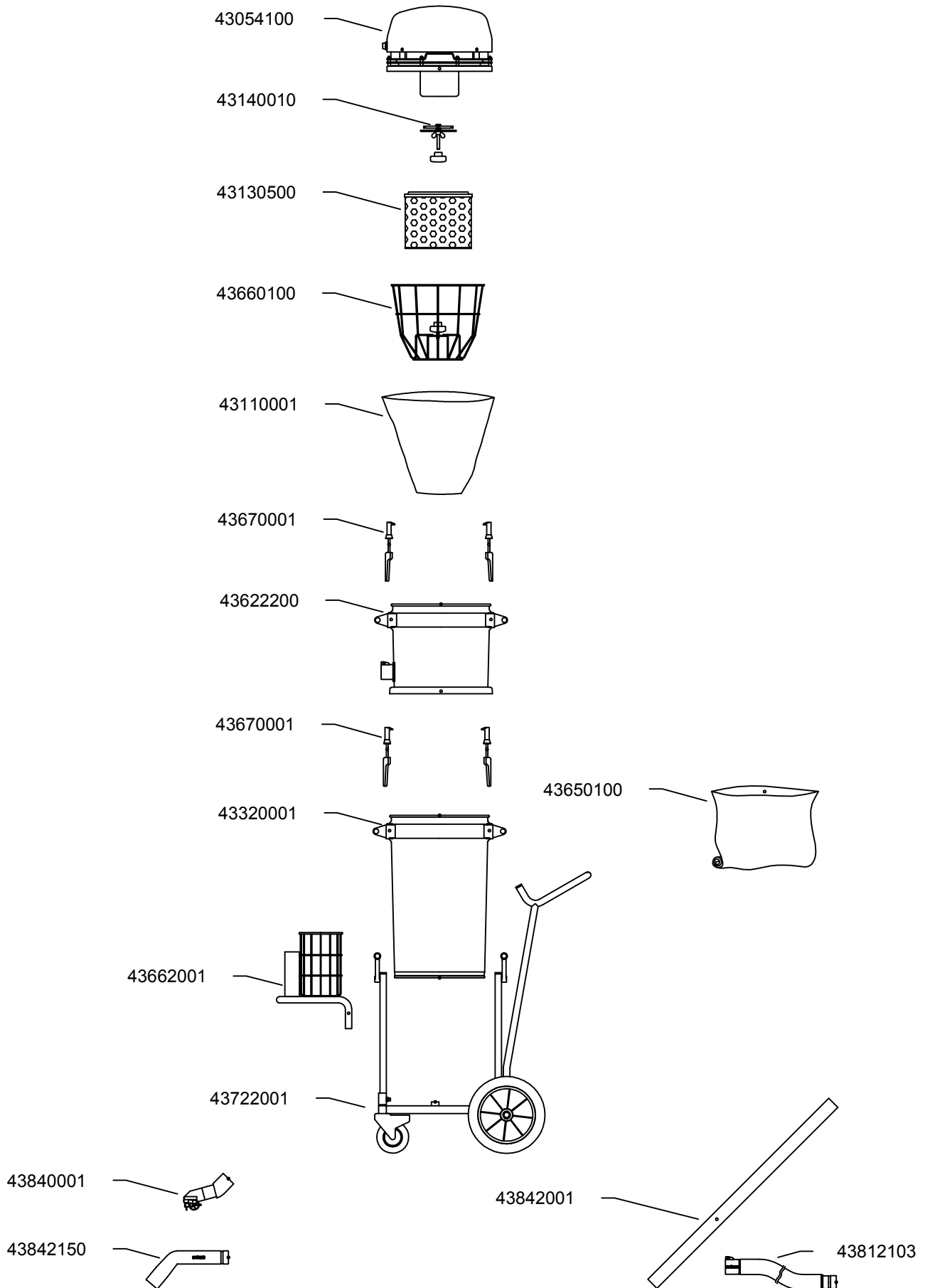
EN MODEL SPECIFICATION AND SPARE PARTS

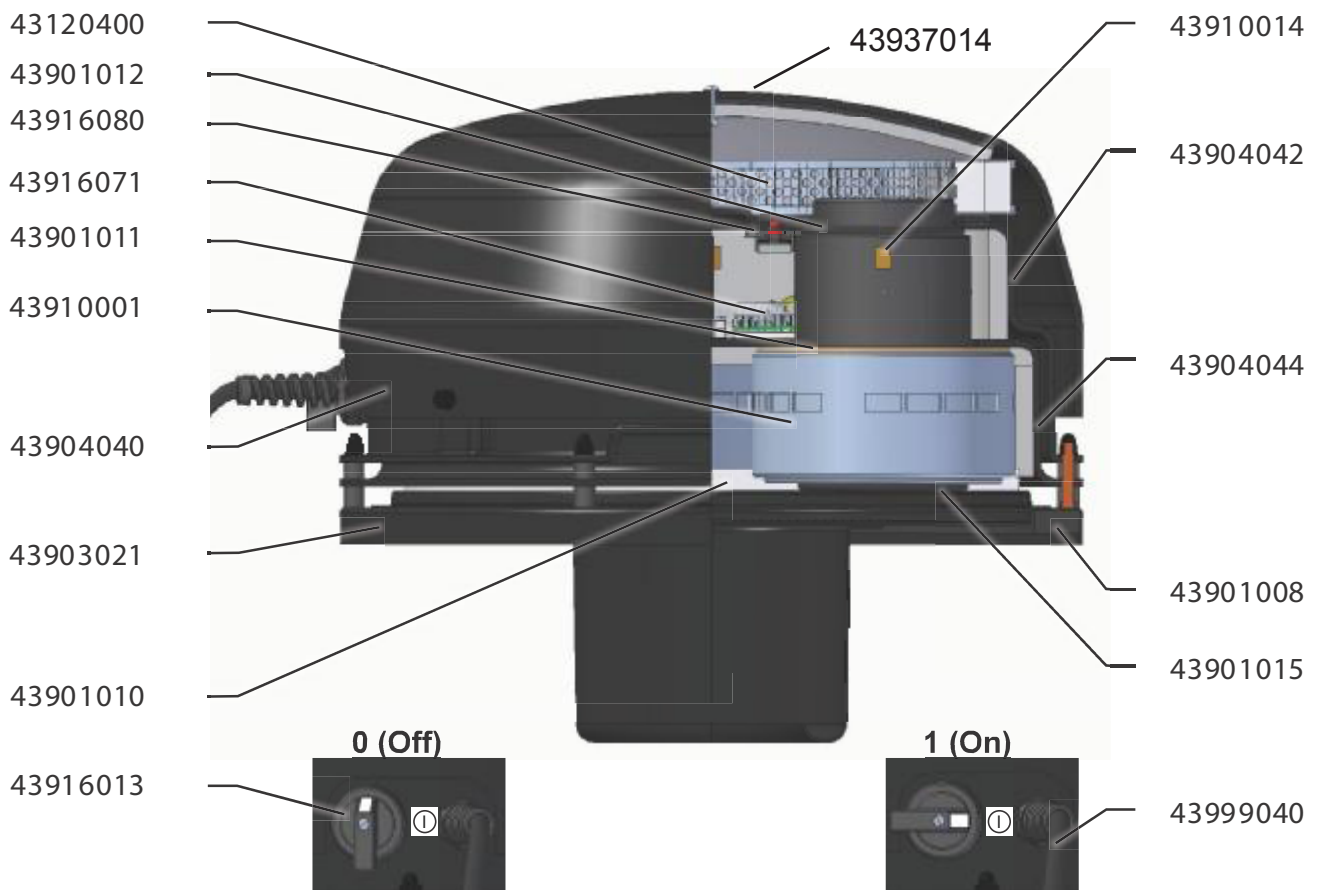
Model Specification

Description: 116E - NEL3R, S50, 230V, 50/60Hz

Model: 42411600

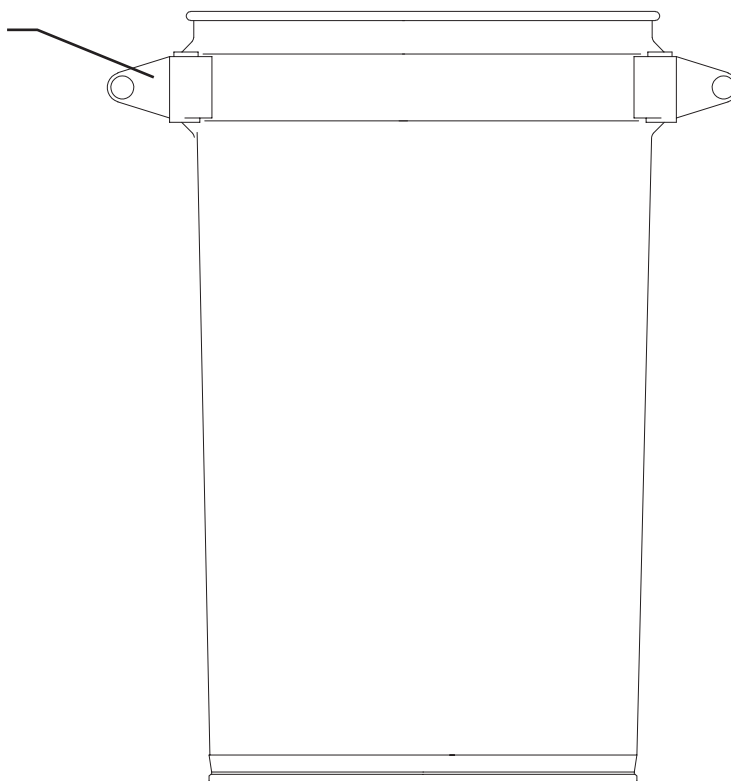
Code no.	Description	Qty.	Page
43054100	NEL3R, S50 2.4kW 230V/50Hz	1	4
43110001	Disposable filterbagS50,5pcs non EX	1	-
43130500	Absolute filter L=220 A=1.56m ² w/pe	1	-
43140010	Clamp f/cartr.filter M10 L=90 El-Zn	1	-
43320001	Container S50	1	5
43622200	Adapter S50 w/inlet d51	1	6
43650100	Plastic bag S50, 10pcs	1	-
43660100	Basket S50	1	7
43662001	Accessory basket S50	1	-
43670001	Fastener complete	1	-
43722001	Trolley S50 tippable	1	-
43812103	Hose PE/C-51 L=7,5m	1	-
43840001	Floor suct head d51/450	1	8
43842001	Suction pipe d51 PEHD-el	1	-
43842150	Pipe bend d51 antistatic	1	-





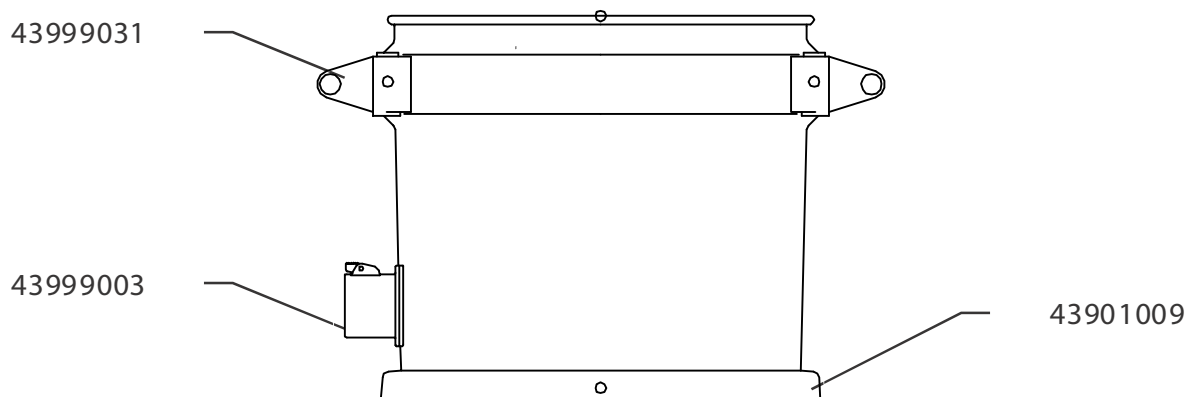


43999031





S 235JR (St37.2)

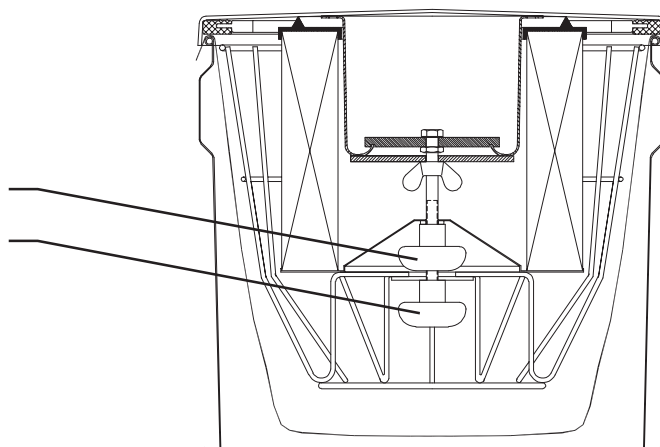




S 235JR (St37.2)

43908014

43908010



43660100

