

Air driven series

115A - NE32, S50, anti., earth, 2"

42111502

Original manual

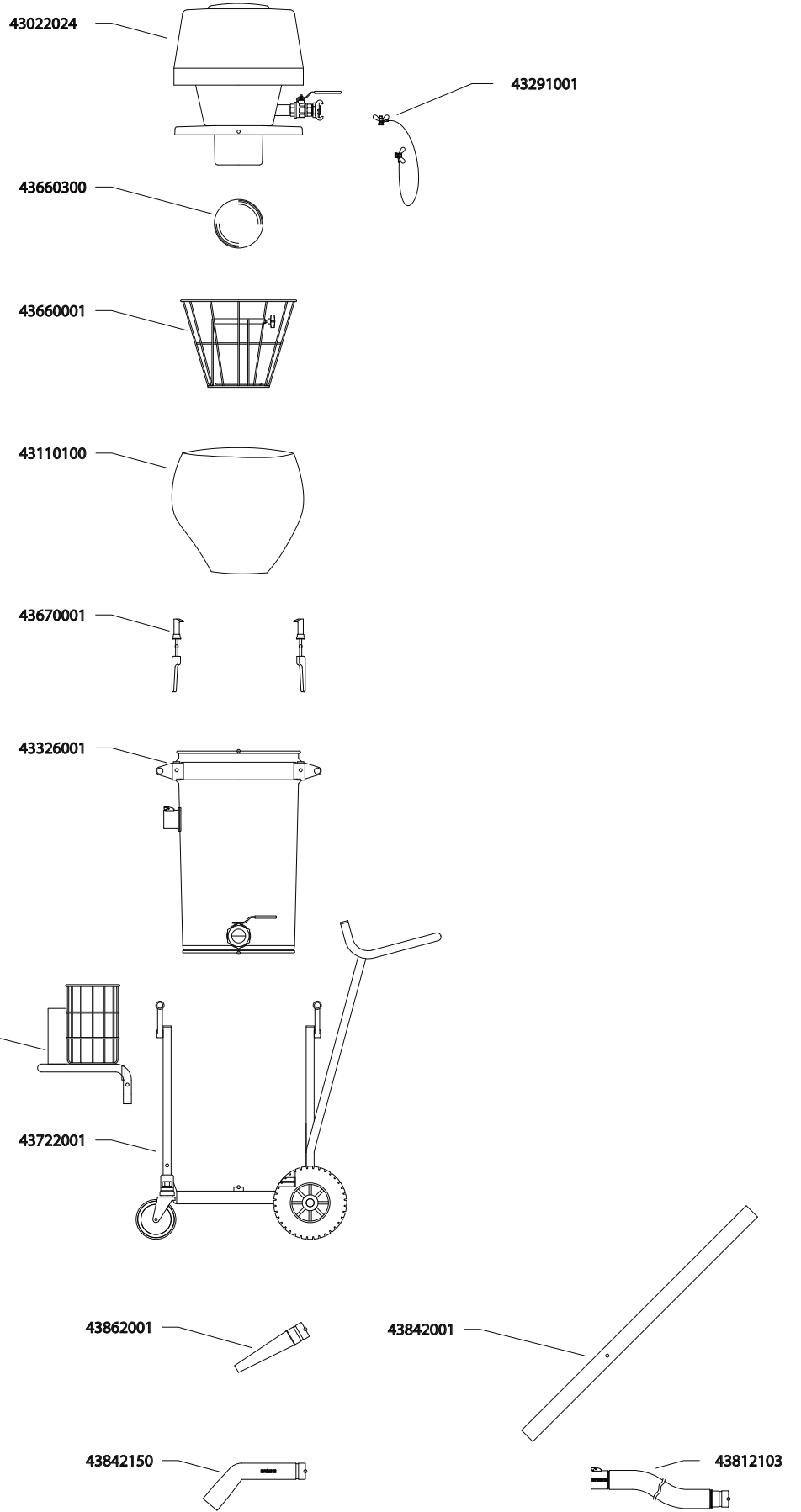
EN MODEL SPECIFICATION AND SPARE PARTS

Model Specification

Description: 115A - NE32, S50, anti., earth, 2"

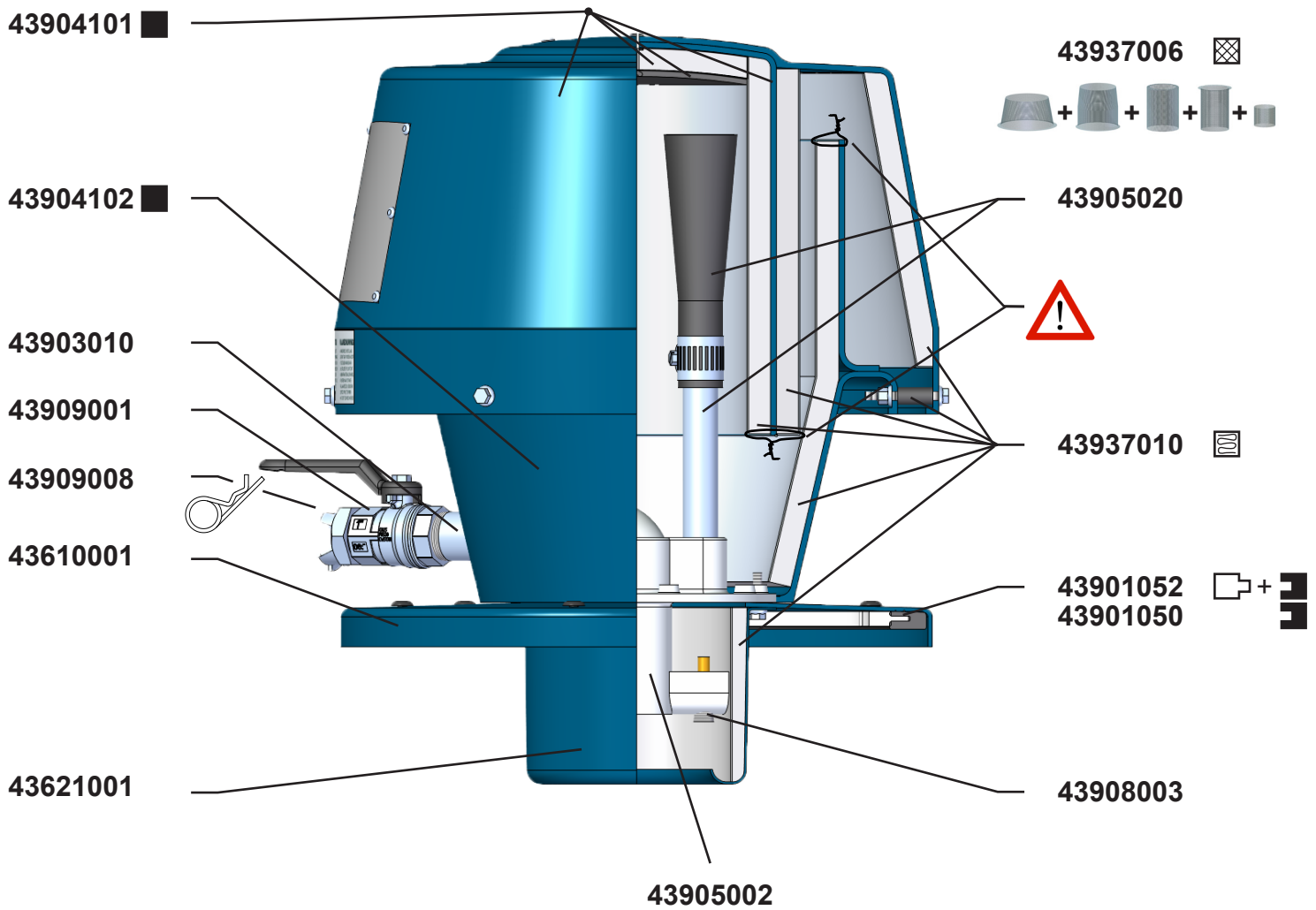
Model: 42111502

Code no.	Description	Qty.	Page
43022024	NE32, S50 antistatic	1	4
43110100	Filter bag S50	1	-
43291001	Earthingkit	1	-
43326001	Container S50 d51 w/ballvalve R2	1	5
43660001	Basket S50	1	6
43660300	Float ball S50/200	1	-
43662001	Accessory basket S50	1	-
43670001	Fastener complete	1	-
43722001	Trolley S50 tippable	1	7
43812103	Hose PE/C-51 L=7,5m	1	-
43840150	Floor suct head d51/500	1	8
43842001	Suction pipe d51 PEHD-el	1	-
43842150	Pipe bend d51 antistatic	1	-
43861001	Hand suct head d51 toothed	1	-
43862001	Conical nozzle d51	1	-



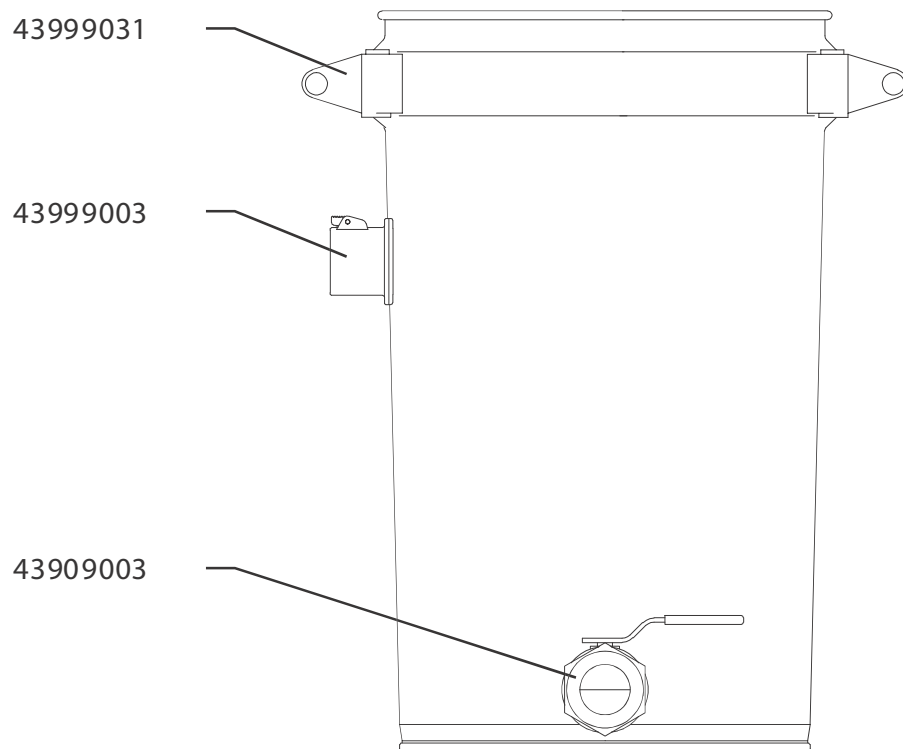


MAX 8 bar





S 235JR (St t37.2)





43908004



43660001

