

Electric Powered Series

Bb306 - NE32, S50, 2.4kW, 230/50Hz

42430605

Original model specification and spare parts

EN MODEL SPECIFICATION AND SPARE PARTS

Table of contents

1 Model Specification	4
2 Spare Parts	5

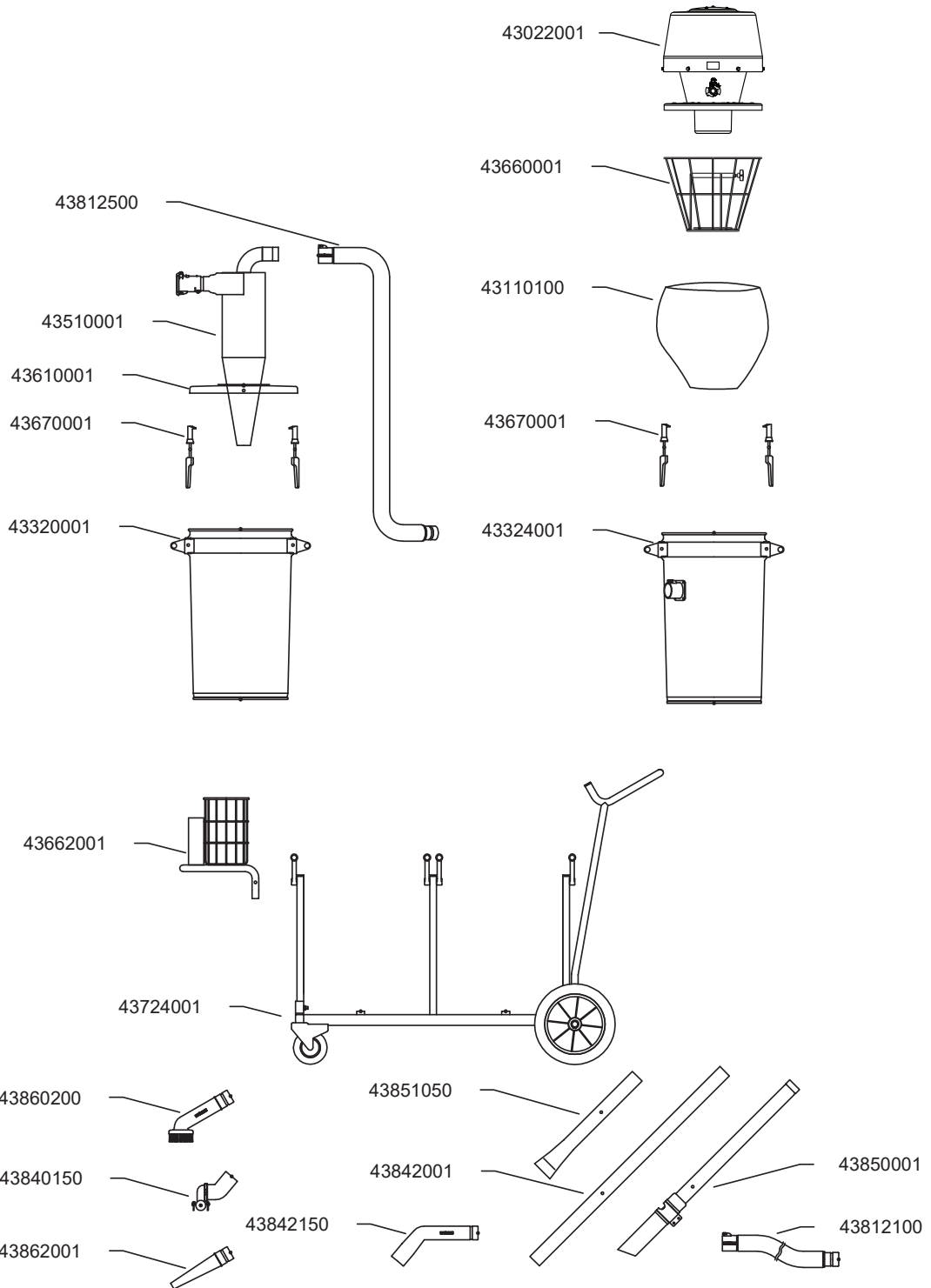
1 Model Specification

Description: Bb306 - NE32, S50, 2.4kW, 230/50Hz

Model: 42430605

Code No.	Description	Qty.
43022001	NE 32, S50 2.4kW 230V/50Hz	1
43110100	Filter bag S50 polyester/teflon	1
43320001	Container S50	1
43324001	Container S50 2 cont. comb.	1
43510001	Cyclone in/out d51/51	1
43610001	Lid S50	1
43660001	Basket S50 f/ball/filter bag	1
43662001	Accessory basket S50	1
43670001	Fastener complete	2
43724001	Trolley double S50 tippable	1
43812103	Hose PE/C-51 L=7,5m w.couplers	1
43812500	Suction hose PE d51 L=1.35m antistatic w/male-female connect	1
43840150	Floor suction head d51/500	1
43842001	Suction pipe d51 PEHD-el L-1140 mm	1
43842150	Pipe bend d51 antistatic	1
43850001	Gulper head d51	1
43851050	Scraping tool d51 L=500	1
43860200	Brush nozzle d51 soft	1
43862001	Conical nozzle d51	1

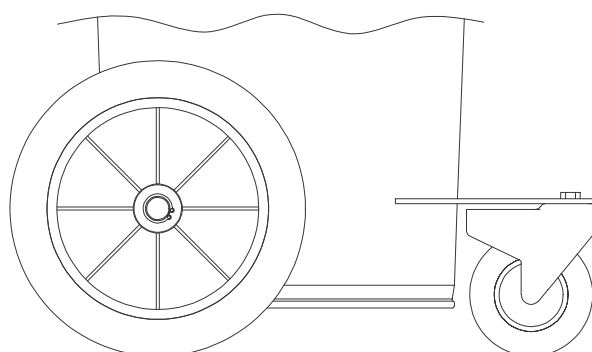
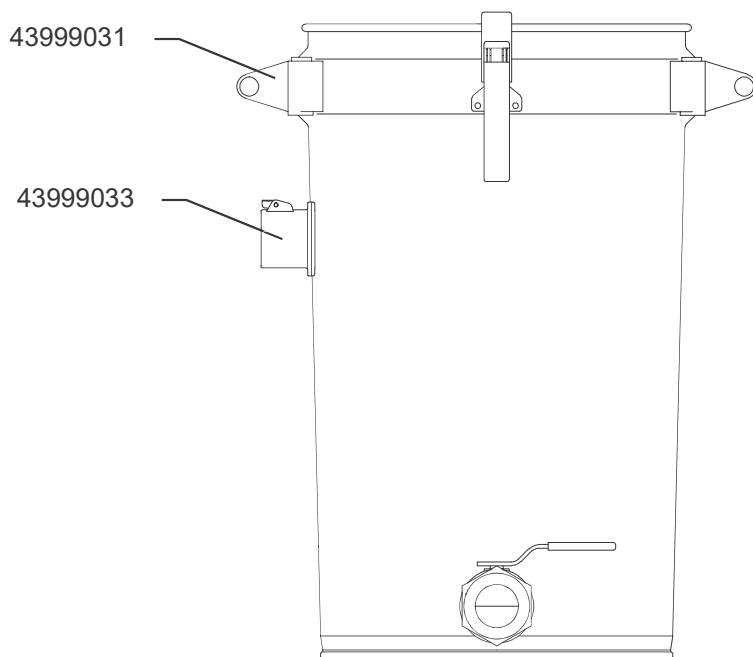
2 Spare Parts



42430605



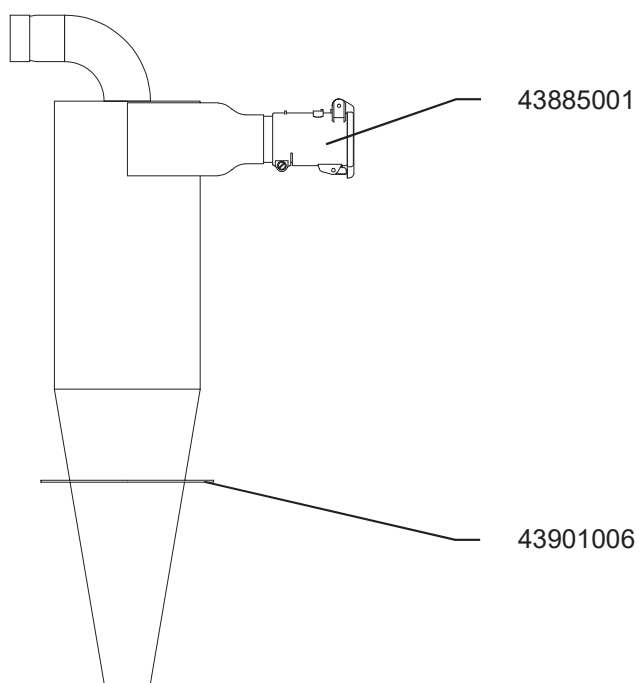
S235JR(St37.2)



43320001



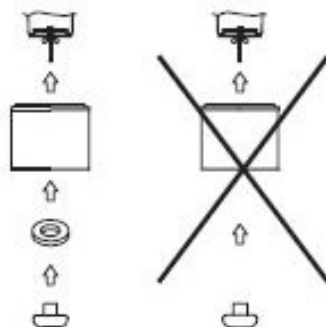
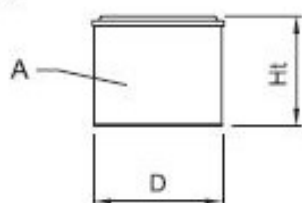
S235JR(St37.2)



43510001



1



2



3



	Product number:	Area m²	Max. temp. °C	Diameter mm	Height mm	Weight kg	BiA	EN 60335-2-69	Antistatic	Washable	*End plate
<input type="checkbox"/>	43110001	0,5	70	-	-	0,6	-	-	-	-	-
<input checked="" type="checkbox"/>	43110100	0,4	120	-	-	0,2	-	-	-	-	-
<input type="checkbox"/>	43110200	0,4	120	-	-	0,2	-	-	x	-	-
<input type="checkbox"/>	43110300	0,6	120	-	-	0,4	-	-	-	-	-
<input type="checkbox"/>	43110400	0,6	120	-	-	0,4	-	-	x	-	-
<input type="checkbox"/>	43120100	2,4	70	264	220	1,0	U,S,G,C	M	-	-	-
<input type="checkbox"/>	43130001	2,4	70	264	220	2,0	U,S,G,C	M	-	-	-
<input type="checkbox"/>	43130100	2,4	70	264	220	1,0	U,S,G,C	M	-	-	-
<input type="checkbox"/>	43130200	5,4	70	264	470	2,0	U,S,G,C	M	-	-	-
<input type="checkbox"/>	43130201	5,4	70	264	470	3,0	U,S,G,C	M	-	-	-
<input type="checkbox"/>	43130300	6,9	70	264	600	3,0	U,S,G,C	M	-	-	-
<input type="checkbox"/>	43130301	6,9	70	264	600	4,0	U,S,G,C	M	-	-	-
<input type="checkbox"/>	43130400	10,0	70	264	870	5,0	U,S,G,C	M	-	-	-
<input type="checkbox"/>	43130401	10,0	70	264	870	5,0	U,S,G,C	M	-	-	-
<input type="checkbox"/>	43130500	1,6	70	264	220	2,0	K1/K2	H	-	-	-
<input type="checkbox"/>	43120200	1,6	70	264	220	2,0	K1/K2	H	-	-	-
<input type="checkbox"/>	43130700	3,5	70	264	470	3,0	K1/K2	H	-	-	-
<input type="checkbox"/>	43130702	3,5	70	264	470	4,0	K1/K2	H	-	-	-
<input type="checkbox"/>	43130800	4,5	70	264	600	3,0	K1/K2	H	-	-	-
<input type="checkbox"/>	43130801	4,5	70	264	600	3,0	K1/K2	H	-	-	-
<input type="checkbox"/>	43130900	6,5	70	264	870	4,0	K1/K2	H	-	-	-
<input type="checkbox"/>	43130901	6,5	70	264	870	6,0	K1/K2	H	-	-	-
<input type="checkbox"/>	43120300	2,4	120	264	220	2,0	U,S,G,C	M	-	x	-
<input type="checkbox"/>	43120301	2,4	120	264	220	2,0	U,S,G,C	M	x	x	GS
<input type="checkbox"/>	43120303	10,0	120	264	87	2,0	U,S,G,C	M	x	x	-
<input type="checkbox"/>	43120304	2,4	120	264	220	2,0	U,S,G,C	M	x	x	A4
<input type="checkbox"/>	43120400	0,7	80	338	42	0,8	U,S,G,C	M	-	-	-
<input type="checkbox"/>											

* A2 = AISI 304 / A4 = AISI 316L / GS = Galvanized steel

43110100



S235JR(St37.2)

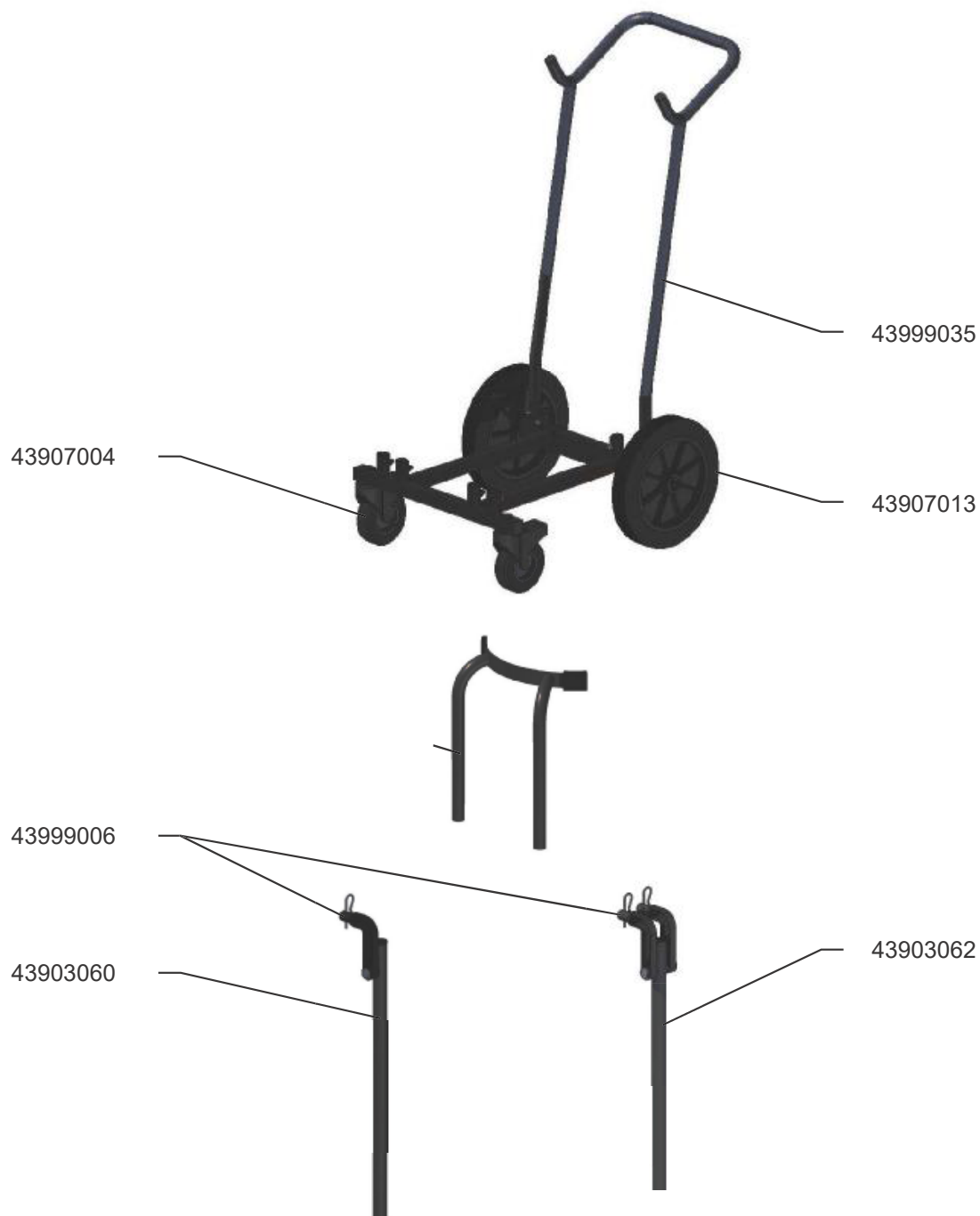
System 50 & 200
43908004



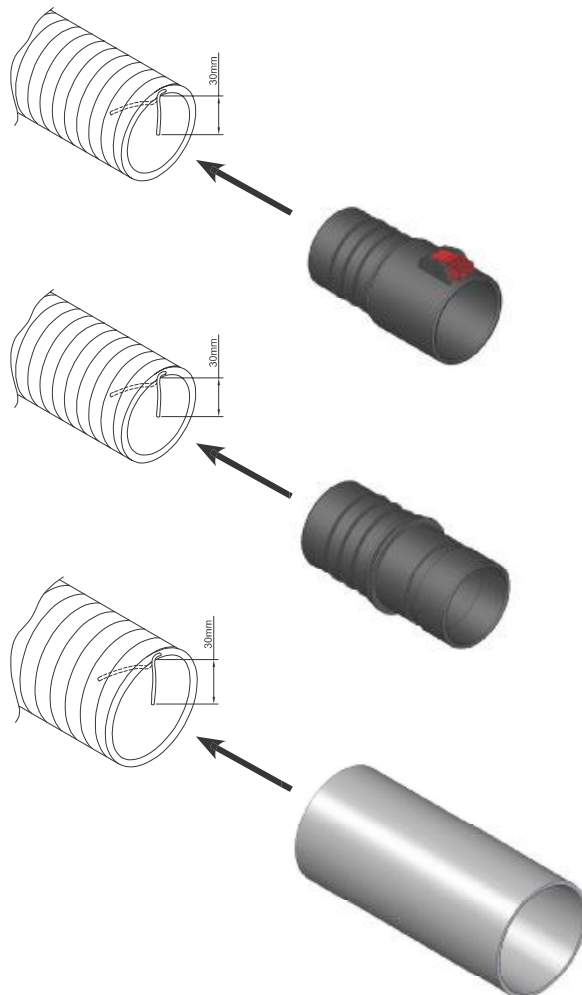
43660001



S235JR(St37.2)

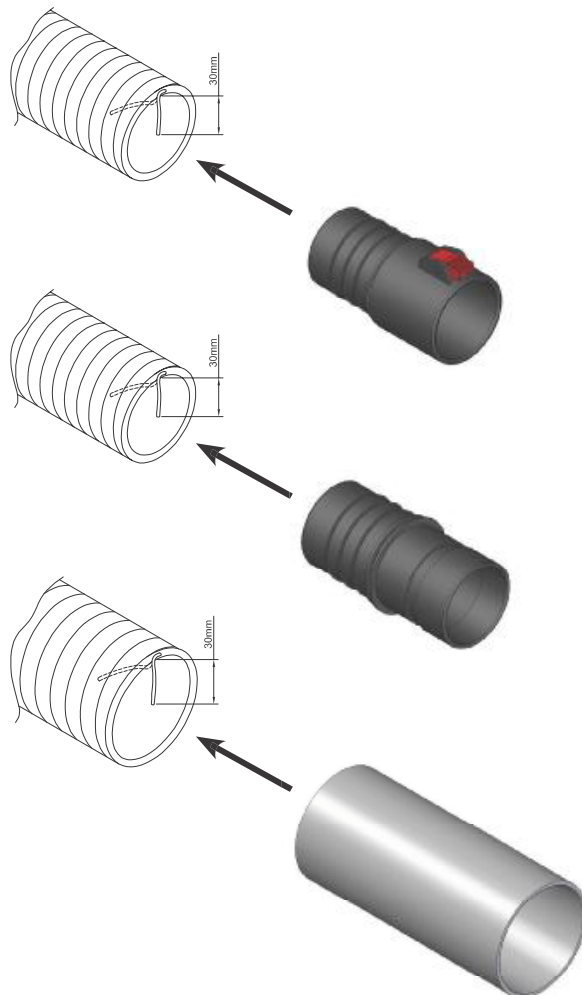


43724001



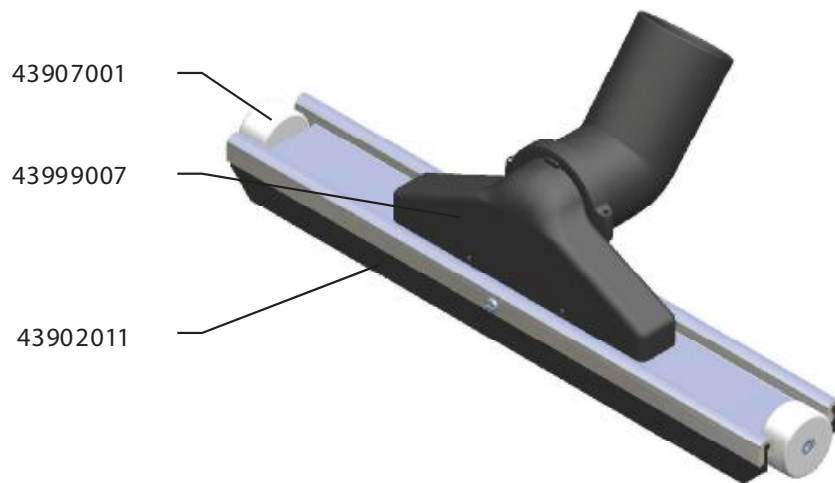
Material	C°/F°
PE	-40°C - +60°C -40°F - +140°F

43812103



Material	C°/F°
PE	-40°C - +60°C -40°F - +140°F

43812500



43840150

Nederman

www.nederman.com