

Air powered series

**Ab115-NE32,S50containerw/inletd51,R2tap**

42111505

---

**Original manual**

EN MODEL SPECIFICATION AND SPARE PARTS



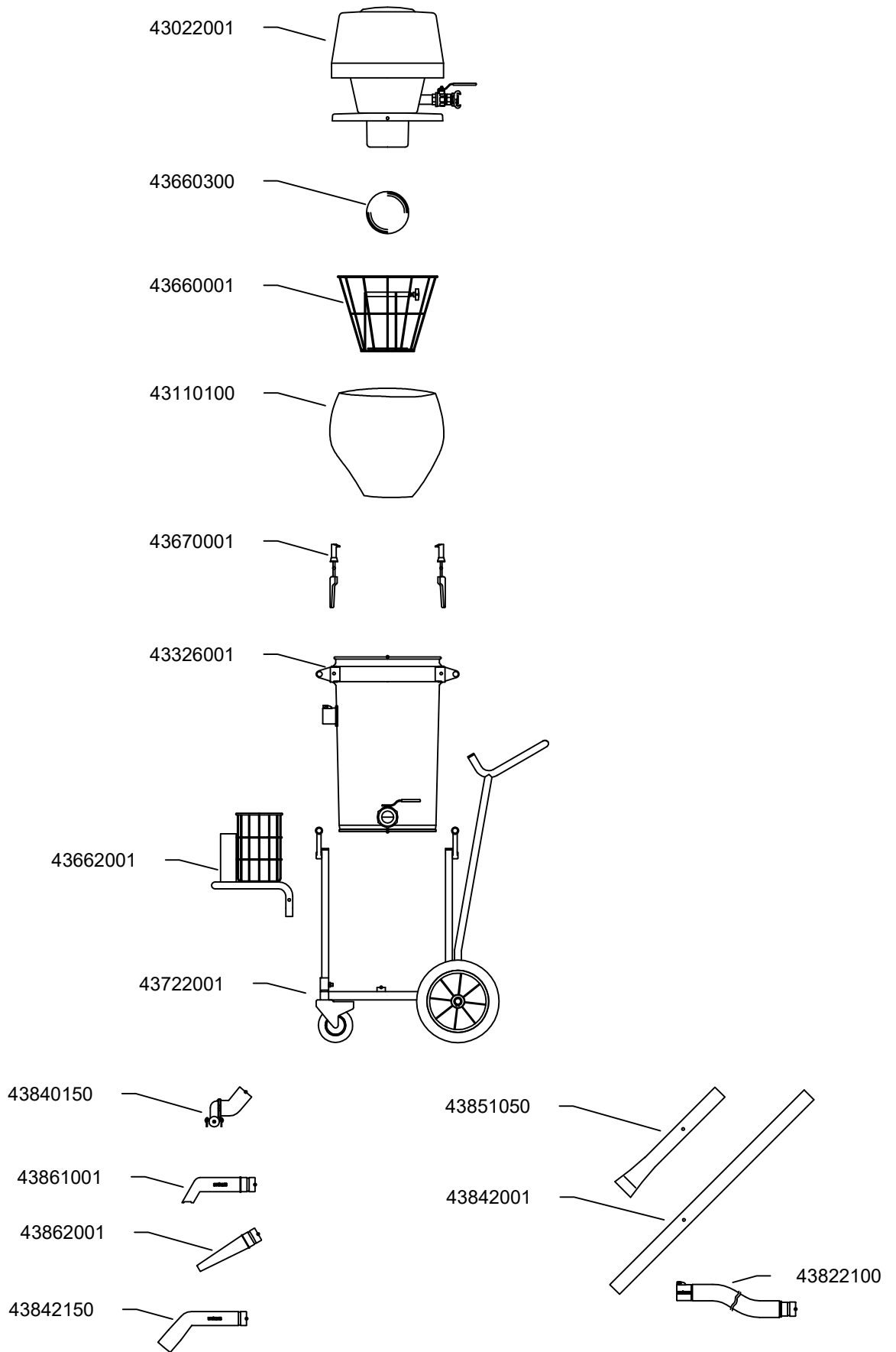


## Model specification

**Description:** Ab115 - NE32, S50 container w/inlet d51, R2 tap

**Model:** 42111505

Code no.	Description	Qty.
43022001	NE32, S50	1
43110100	Filter bag S50 polyester/teflon	1
43326001	Container S50 inlet d51 w/ballvalve R2	1
43670001	Fastener complete	1
43660001	Basket S50 f/ball/filter bag	1
43660300	Float ball S50/200 d153, 480g antistatic	1
43662001	Accessory basket S50	1
43722001	Trolley S50 tippable	1
43840150	Floor suct head d51/500	1
43851050	Scraping tool d51 L=500	1
43861001	Hand suct head d51 toothed	1
43862001	Conical nozzle d51	1
43842001	Suction pipe d51 PEHD-el L-1140 mm	1
43842150	Pipe bend d51 antistatic	1
43822100	Suction hose PVC d51 L=6m antistatic w/male-female connect	1





MAX 8 bar



S235JR(St37.2)

- 43904001
- 43904101
- 43904201

- 43904002
- 43904102
- 43904202

43903010

43909001

43909008

System 50

- 43610001
- 43610011 A4
- 

System 200

- 43615001
- 43615011 A4
- 

- 43621001
- 43621200 A4
- 

- 43937006
- 43937007



43905020



43937010

System 50

- 43901052
- 43901050

System 200

- 43901053
- 43901051

43908003

	Vacuum producer	Compressed air consumption	Max. vacuum		Max. air flow	Noise level*	Ejector body
		Nm <sup>3</sup> /min	mmWC	-kPa	Nm <sup>3</sup> /hr	dB(A)	
<input type="checkbox"/>	NE22	1,0	2100	21	306	72,0	43905001
<input checked="" type="checkbox"/>	NE32	1,6	3100	31	342	74,0	43905002
<input type="checkbox"/>	NE42	2,2	4200	42	360	73,5	43905003
<input type="checkbox"/>	NE52	3,0	5200	52	342	75,5	43905004
<input type="checkbox"/>	NE56	2,7	2500	25	564	73,5	43905005
<input type="checkbox"/>	NE64	4,3	6800	68	330	77,0	43905006
<input type="checkbox"/>	NE66	4,1	3800	38	630	76,5	43905007
<input type="checkbox"/>	NE74	5,3	7800	78	318	75,0	43905008
<input type="checkbox"/>	NE76	5,4	4800	48	690	78,0	43905009
<input type="checkbox"/>	NE96	8,6	6800	68	660	78,0	43905011
<input type="checkbox"/>	NE56x2	5,4	2500	25	1128	76,5	43905005
<input type="checkbox"/>	NE96x2	17,2	6800	68	1320	79,0	43905011
<input type="checkbox"/>							
<input type="checkbox"/>							

\*Noise level - distance: 3 m - height: 1,1 m

(Air pressure 7 bar)

43 0 22 001




	Product number:	Area m <sup>2</sup>	Max. temp. °C	Diameter mm	Height mm	Weight kg	BIA	EN 60335-2-69 / EN1822	Anti-static	Wash-able	End plate*
<input type="checkbox"/>	43110001	0,50	70	-	-	0,6	-	-	-	-	-
<input checked="" type="checkbox"/>	43110100	0,35	120	-	-	0,2	-	-	-	-	-
<input type="checkbox"/>	43110200	0,35	120	-	-	0,2	-	-	X	-	-
<input type="checkbox"/>	43110300	0,59	120	-	-	0,4	-	-	-	-	-
<input type="checkbox"/>	43110400	0,59	120	-	-	0,4	-	-	X	-	-
<input type="checkbox"/>	43120100	2,38	70	264	220	1,7	U,S,G,C	M	-	-	-
<input type="checkbox"/>	43130001	2,38	70	264	220	2,0	U,S,G,C	M	-	-	-
<input type="checkbox"/>	43130100	2,38	70	264	220	1,0	U,S,G,C	M	-	-	-
<input type="checkbox"/>	43130200	5,40	70	264	470	2,0	U,S,G,C	M	-	-	-
<input type="checkbox"/>	43130201	5,40	70	264	470	3,0	U,S,G,C	M	-	-	-
<input type="checkbox"/>	43130300	6,90	70	264	600	3,0	U,S,G,C	M	-	-	-
<input type="checkbox"/>	43130301	6,90	70	264	600	4,0	U,S,G,C	M	-	-	-
<input type="checkbox"/>	43130400	10,00	70	264	870	5,0	U,S,G,C	M	-	-	-
<input type="checkbox"/>	43130401	10,00	70	264	870	5,0	U,S,G,C	M	-	-	-
<input type="checkbox"/>	43130500	1,56	70	264	220	2,1	K1/K2	H13	-	-	-
<input type="checkbox"/>	43120200	1,56	70	264	220	2,0	K1/K2	H13	-	-	-
<input type="checkbox"/>	43130700	3,50	70	264	470	3,2	K1/K2	H13	-	-	-
<input type="checkbox"/>	43130702	3,50	70	264	470	4,0	K1/K2	H13	-	-	-
<input type="checkbox"/>	43130800	4,50	70	264	600	3,8	K1/K2	H13	-	-	-
<input type="checkbox"/>	43130801	4,50	70	264	600	3,0	K1/K2	H13	-	-	-
<input type="checkbox"/>	43130900	6,50	70	264	870	4,8	K1/K2	H13	-	-	-
<input type="checkbox"/>	43130901	6,50	70	264	870	6,0	K1/K2	H13	-	-	-
<input type="checkbox"/>	43120300	2,28	120	264	220	2,0	U,S,G,C	M	-	X	-
<input type="checkbox"/>	43120301	2,38	120	264	220	2,0	U,S,G,C	M	X	X	GS
<input type="checkbox"/>	43120303	10,00	120	264	87	4,0	U,S,G,C	M	X	X	-
<input type="checkbox"/>	43120304	2,38	120	264	220	2,0	U,S,G,C	M	X	X	A4
<input type="checkbox"/>	43120400	0,7	80	338	42	0,8	U,S,G,C	M	-	-	-
<input type="checkbox"/>											


\* A2=AISI 304 / A4=AISI 316L / GS=Galvanized steel



S235JR(St37.2)


- 43999021
- 43999721 A4


- 43999031
- 43999531 

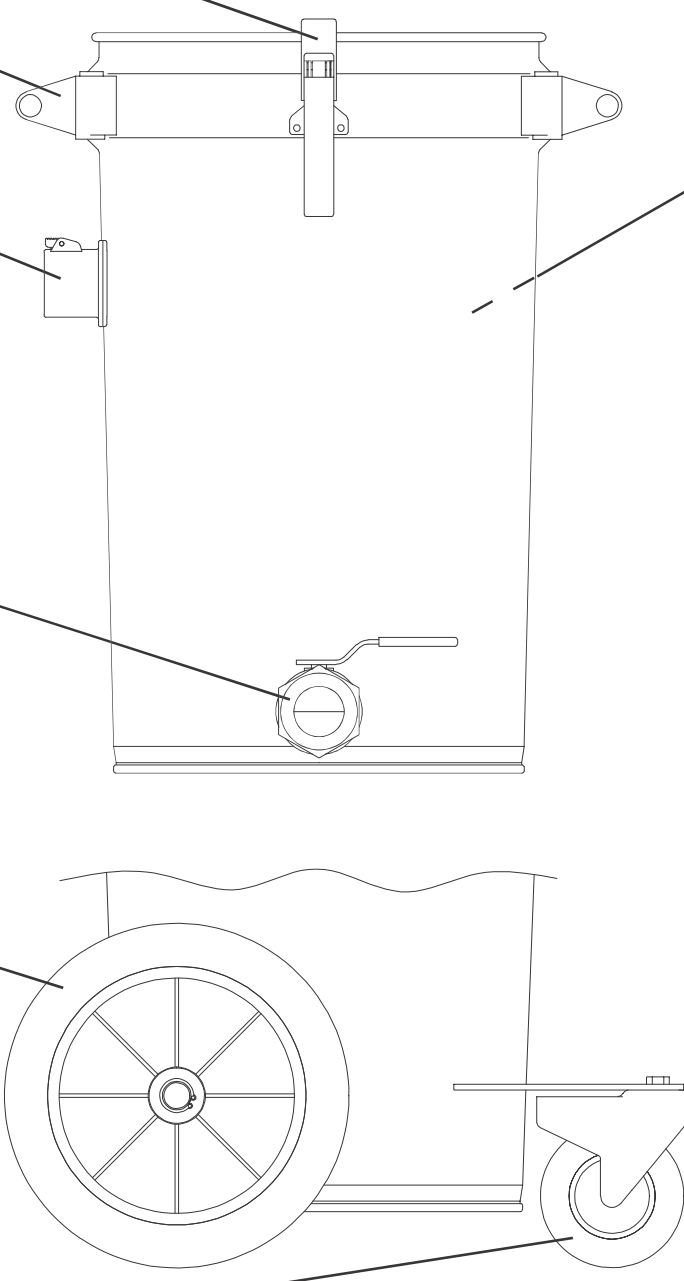
- 43999003
- 43885001 

- 43909003
- 43909103 A4
- 

- 43625001
- 

- 43907011
- 43907013
- 43907015 

- 43907004
- 43907104 





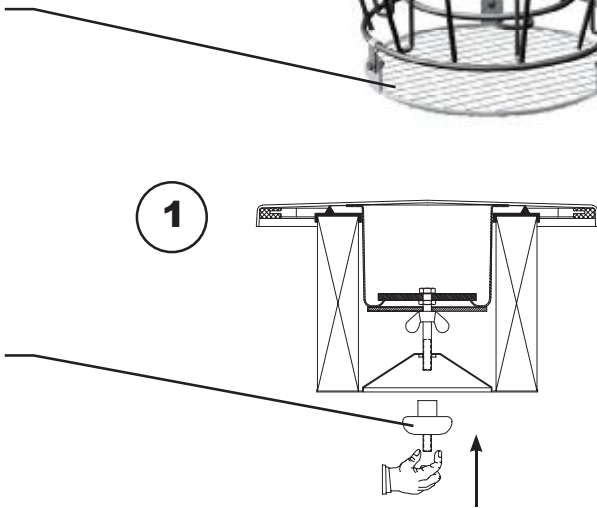
S235JR(St37.2)

System 50 & 200

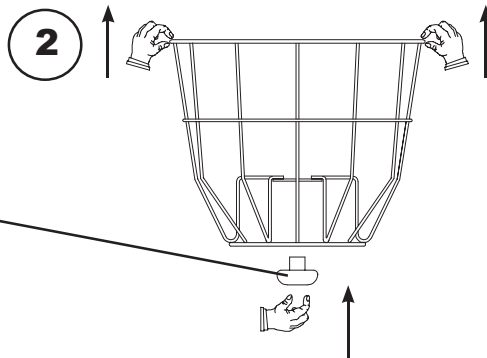
**43908004**



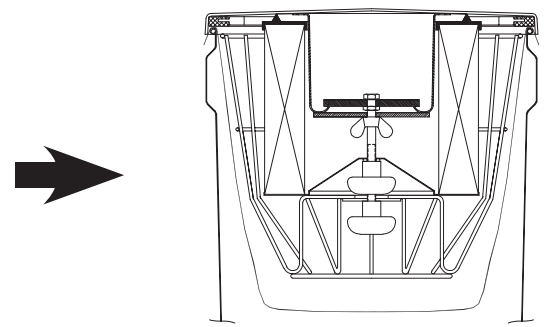
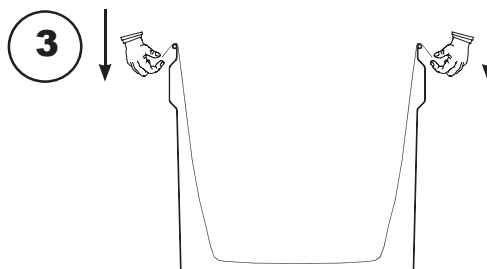
**43903041**



**43908014**



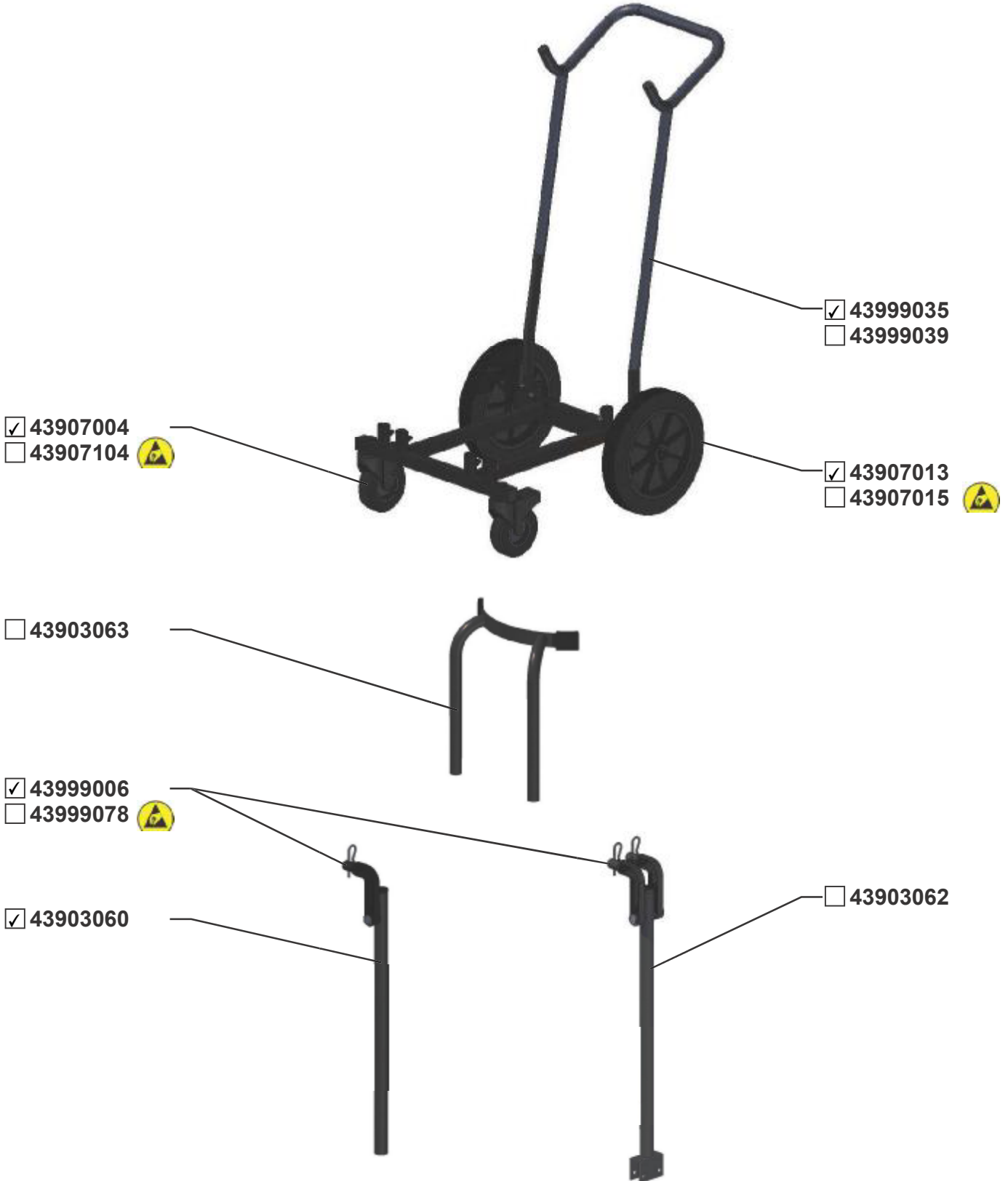
**43908010**







S235JR(St37.2)





**43907001**

**43999007**

L=400mm

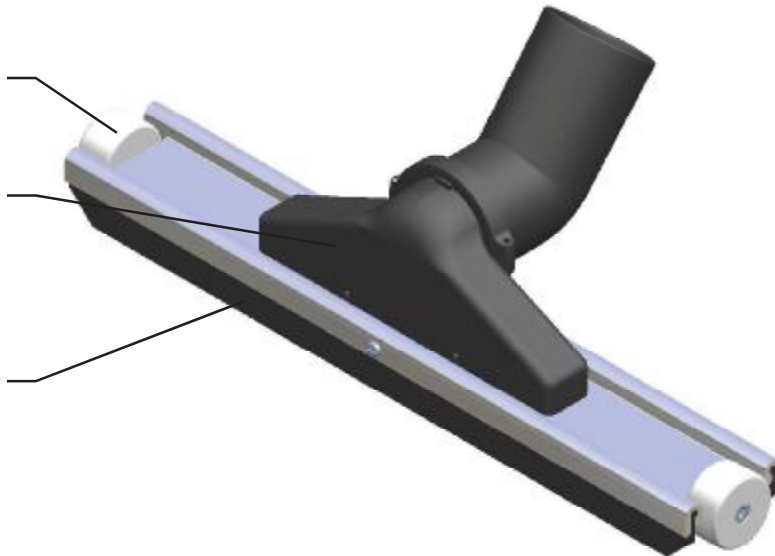
**43902010**

L=500mm

**43902011**

L=600mm

**43902012**



**43907014**

**43999007**

L=400mm

**43902010**

L=500mm

**43902011**

L=600mm

**43902012**

