

Air Powered Series

Ab570 - NE96, S200 without accessories

42157086

---

**Original model specification and spare parts**

EN MODEL SPECIFICATION AND SPARE PARTS



# Table of contents

1 Model Specification .....	4
2 Spare Parts .....	5

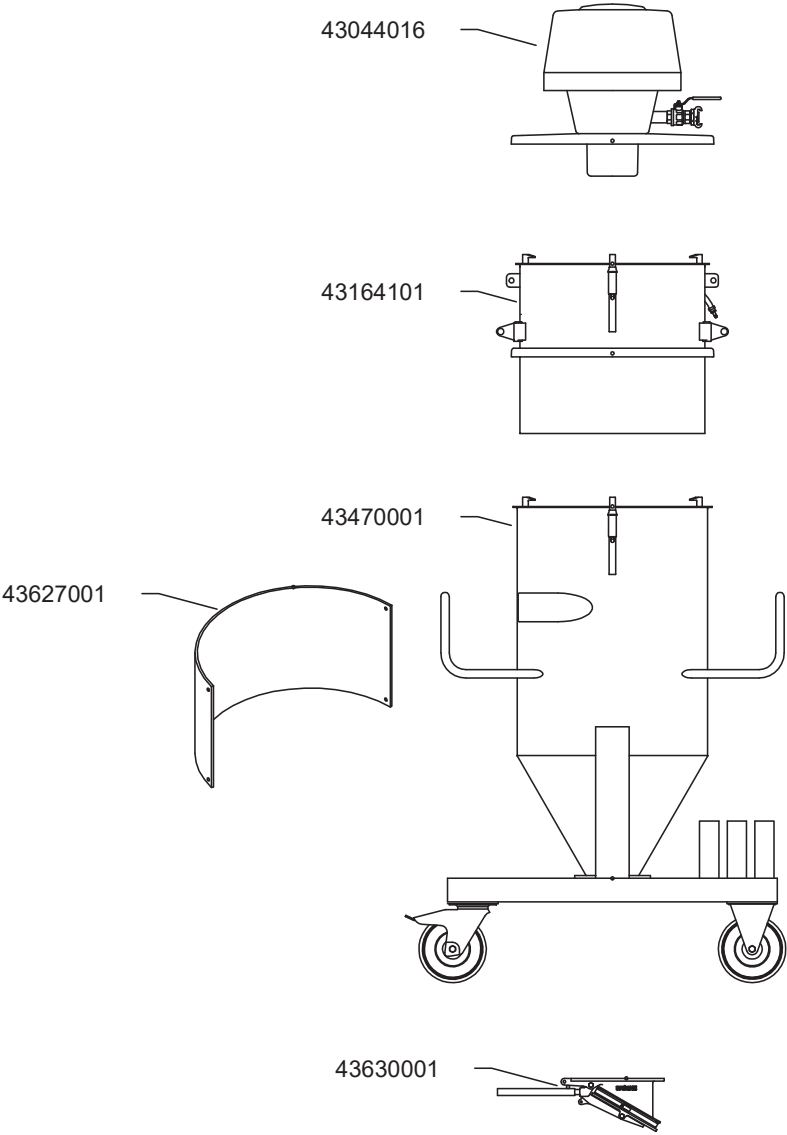
## 1 Model Specification

**Description:** Ab570 - NE96, S200 without accessories

**Model:** 42157086

Code No.	Description	Qty.
43044016	NE96, S200 with 1 quick coupling	1
43164101	NCF5.25-1 S200 Vyon F	1
43470001	Mobile silo S200	1
43627001	Abrasion plate f/silo S200	1
43630001	Discharge valve manual	1

2 Spare Parts



---

42157086

---

# Ab570 - NE96, S200 without accessories



MAX 8 bar



S235JR(St37.2)

43904201

43937006

43904202

43905020

43903010

43909001

43909008

System 200  
43615001

43937010

System 200  
43901053  +

43621001

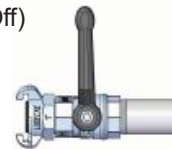
43908003

	Vacuum producer	Compressed air consumption		Max. vacuum		Max. air flow Nm <sup>3</sup> /hr	Noise level* dB(A)	Ejector body
		Nm <sup>3</sup> /min	mmWC	-kPa				
<input type="checkbox"/>	NE22	1,0	2100	21	306	72,0	43905001	
<input type="checkbox"/>	NE32	1,6	3100	31	342	74,0	43905002	
<input type="checkbox"/>	NE42	2,2	4200	42	360	73,5	43905003	
<input type="checkbox"/>	NE52	3,0	5200	52	342	75,5	43905004	
<input type="checkbox"/>	NE56	2,7	2500	25	564	73,5	43905005	
<input type="checkbox"/>	NE64	4,3	6800	68	330	77,0	43905006	
<input type="checkbox"/>	NE66	4,1	3800	38	630	76,5	43905007	
<input type="checkbox"/>	NE74	5,3	7800	78	318	75,0	43905008	
<input type="checkbox"/>	NE76	5,4	4800	48	690	78,0	43905009	
<input checked="" type="checkbox"/>	NE96	8,6	6800	68	660	78,0	43905011	
<input type="checkbox"/>	NE56x2	5,4	2500	25	1128	76,5	43905005	
<input type="checkbox"/>	NE96x2	17,2	6800	68	1320	79,0	43905011	

\*Noise level - distance: 3 m - height: 1,1 m

(Air pressure 7 bar)

0 (Off)



1 (On)



**43044016**

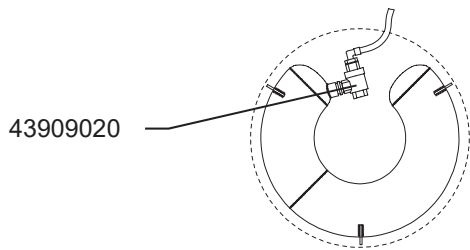
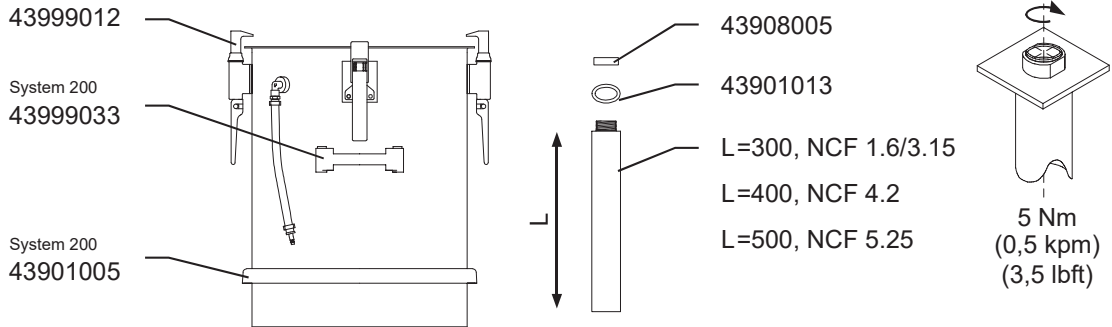
# Ab570 - NE96, S200 without accessories



MAX 8 bar

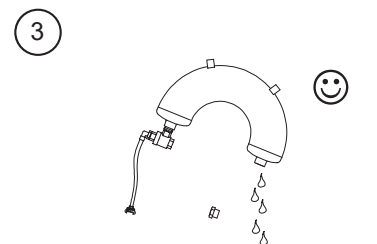
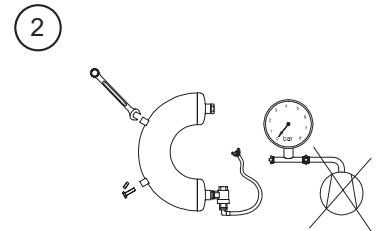
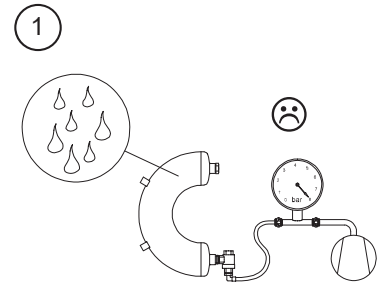


S235JR(St37.2)



	Area m <sup>2</sup>	Candle mm	Volume* liter	Candles
<input type="checkbox"/> NCF 1.6	1,6	300	2,9	36
<input type="checkbox"/> NCF 3.15	3,15	300	7,6	70
<input type="checkbox"/> NCF 4.2	4,2	400	7,6	70
<input checked="" type="checkbox"/> NCF 5.25	5,25	500	10,4	70

Code no.	Material	Candle mm	T <sub>min</sub>	T <sub>max</sub>	EN 60335-2-69
<input type="checkbox"/> 43906010	Vyon	300	-10°C	70°C	U
<input type="checkbox"/> 43906012		400	-10°C	70°C	U
<input checked="" type="checkbox"/> 43906011		500	-10°C	70°C	U
<input type="checkbox"/> 43906050	PET w/membrane	300	-10°C	80°C	H12
<input type="checkbox"/> 43906051		400	-10°C	80°C	H12
<input type="checkbox"/> 43906052		500	-10°C	80°C	H12
<input type="checkbox"/> 43906042		PPF	500	-10°C	110°C

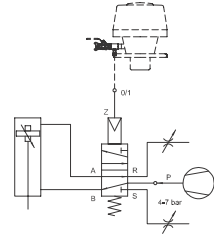
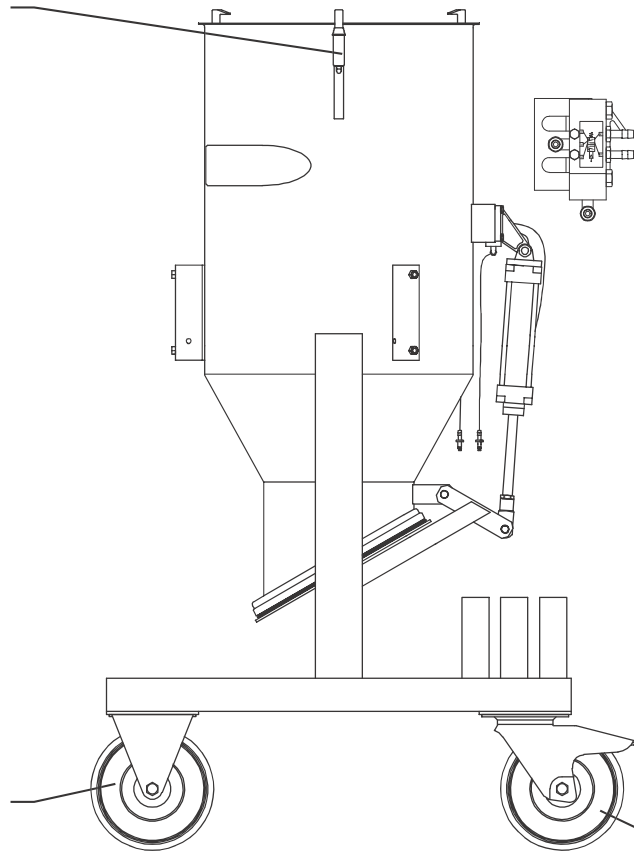


**43164101**



S235JR(St37.2)

43999012



43907008

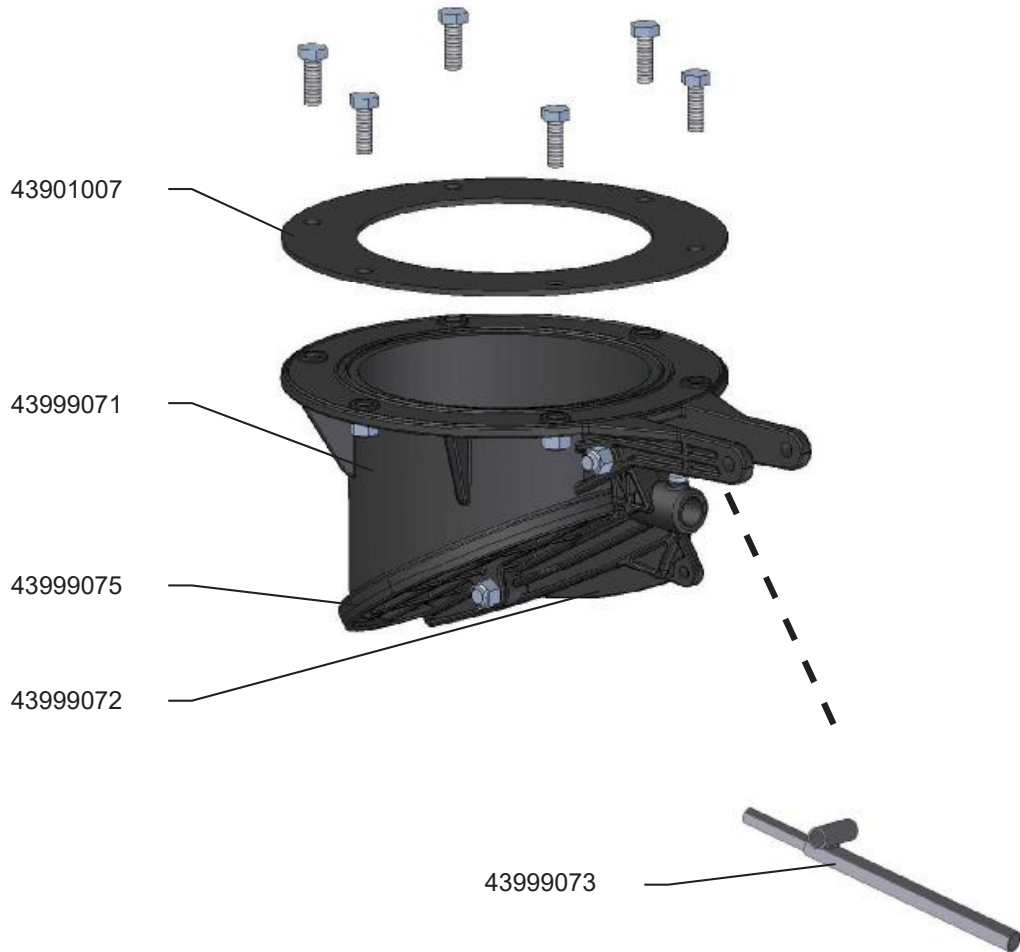
43907007

**43470001**





MAX 1.5 bar



---

**43630001**

---

***Nederman***

[www.nederman.com](http://www.nederman.com)