

Electric powered series

**Bb216 - NEL3R, S50, 2.5/2.4kW 230V 50/60Hz**

42421604

---

**Original manual**

EN MODEL SPECIFICATION AND SPARE PARTS

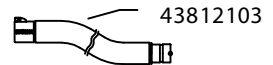
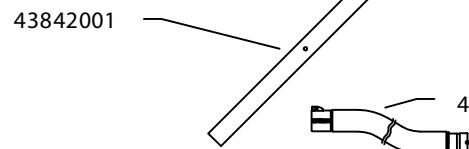
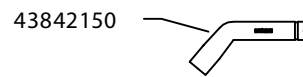
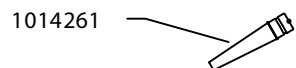
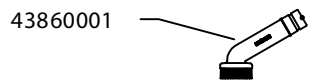
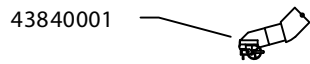
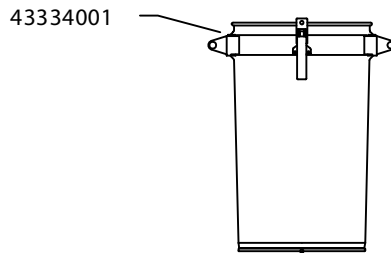
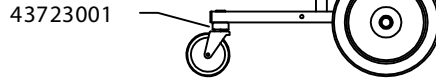
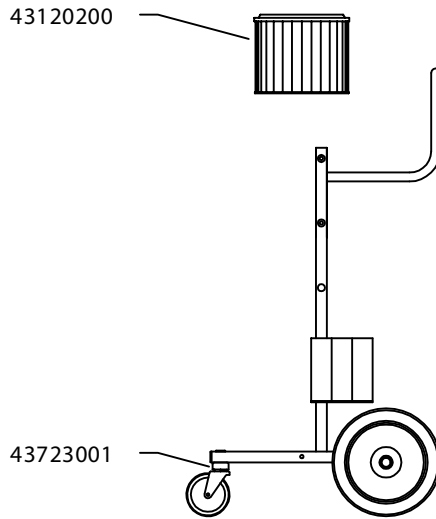
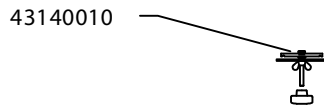
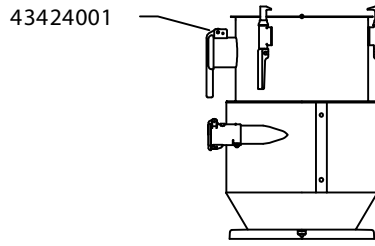
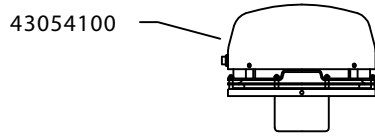


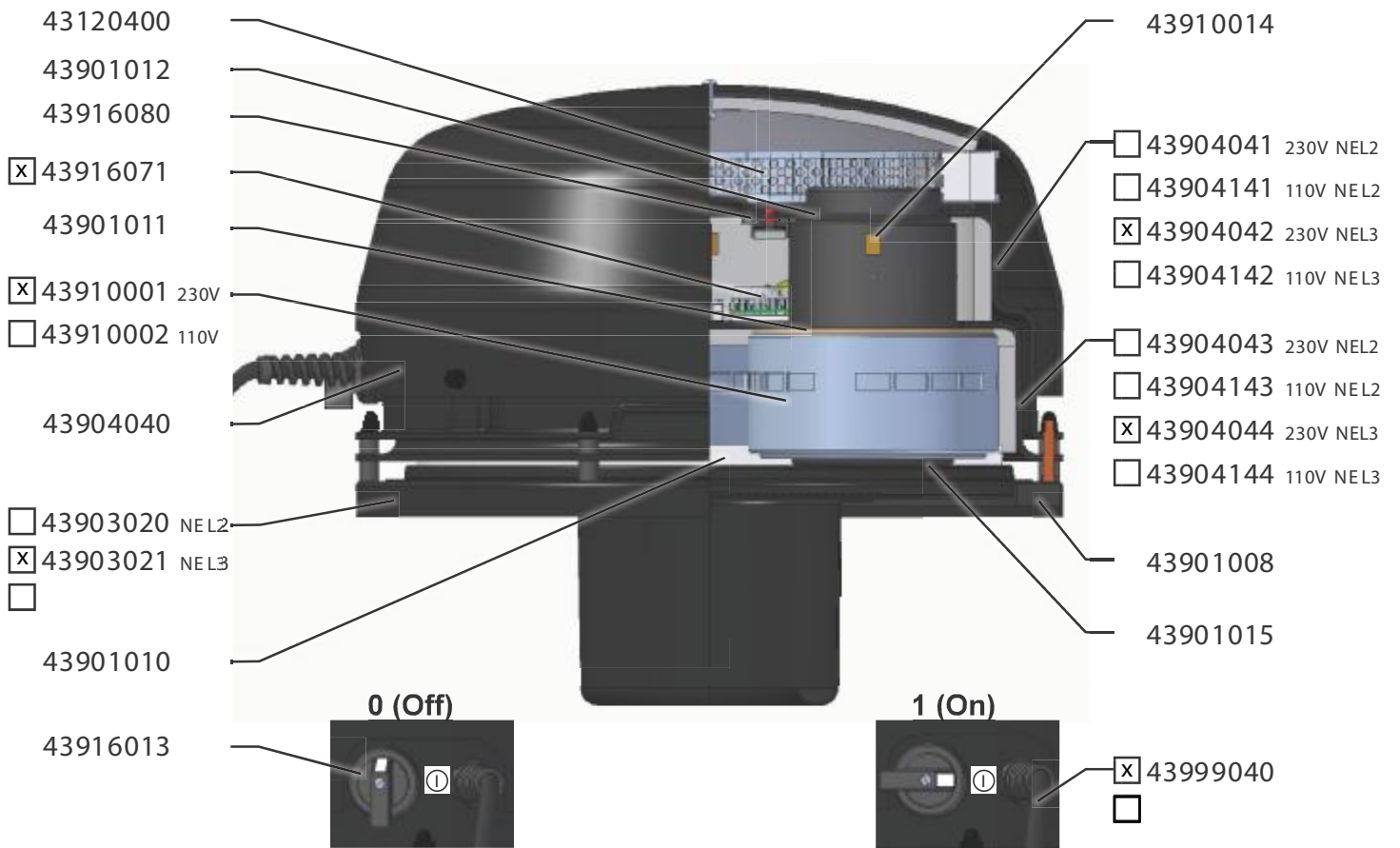
## Model specification

Description: Bb216 - NEL3R, S50, 2.5/2.4kW 230V 50/60Hz

Model: 42421604

Code no.	Description	Qty.
43054100	NEL3R, S50 2.5/2.4kW 230V 50/60Hz	1
43120200	Absolute filter L=220 A=1.56m <sup>2</sup> wo/perf.plate	1
43140010	Clamp f/cartr.filter M10 L=90 El-Zn	1
43334001	Container S50 67l w/ecc fastners	1
43424001	Silo S50 w/rev air clean	1
43723001	Trolley S50 f/silo	1
43840001	Floor suct head d51/450	1
43860001	Brush nozzle d51 stiff	1
43862001	Conical nozzle d51	1
43842001	Suction pipe d51 PEHD-el L-1140 mm	1
43842150	Pipe bend d51 antistatic	1
43812103	Hose PE/C-51 L=7,5m	1








	Product number:	Area m <sup>2</sup>	Max. temp. °C	Diameter mm	Height mm	Weight kg	BIA	EN 60335-2-69	Antistatic	Washable	*End plate
<input type="checkbox"/>	43110001	0,5	70	-	-	0,6	-	-	-	-	-
<input type="checkbox"/>	43110100	0,4	120	-	-	0,2	-	-	-	-	-
<input type="checkbox"/>	43110200	0,4	120	-	-	0,2	-	-	x	-	-
<input type="checkbox"/>	43110300	0,6	120	-	-	0,4	-	-	-	-	-
<input type="checkbox"/>	43110400	0,6	120	-	-	0,4	-	-	x	-	-
<input type="checkbox"/>	43120100	2,4	70	264	220	1,0	U,S,G,C	M	-	-	-
<input type="checkbox"/>	43130001	2,4	70	264	220	2,0	U,S,G,C	M	-	-	-
<input type="checkbox"/>	43130100	2,4	70	264	220	1,0	U,S,G,C	M	-	-	-
<input type="checkbox"/>	43130200	5,4	70	264	470	2,0	U,S,G,C	M	-	-	-
<input type="checkbox"/>	43130201	5,4	70	264	470	3,0	U,S,G,C	M	-	-	-
<input type="checkbox"/>	43130300	6,9	70	264	600	3,0	U,S,G,C	M	-	-	-
<input type="checkbox"/>	43130301	6,9	70	264	600	4,0	U,S,G,C	M	-	-	-
<input type="checkbox"/>	43130400	10,0	70	264	870	5,0	U,S,G,C	M	-	-	-
<input type="checkbox"/>	43130401	10,0	70	264	870	5,0	U,S,G,C	M	-	-	-
<input type="checkbox"/>	43130500	1,6	70	264	220	2,0	K1/K2	H	-	-	-
<input checked="" type="checkbox"/>	43120200	1,6	70	264	220	2,0	K1/K2	H	-	-	-
<input type="checkbox"/>	43130700	3,5	70	264	470	3,0	K1/K2	H	-	-	-
<input type="checkbox"/>	43130702	3,5	70	264	470	4,0	K1/K2	H	-	-	-
<input type="checkbox"/>	43130800	4,5	70	264	600	3,0	K1/K2	H	-	-	-
<input type="checkbox"/>	43130801	4,5	70	264	600	3,0	K1/K2	H	-	-	-
<input type="checkbox"/>	43130900	6,5	70	264	870	4,0	K1/K2	H	-	-	-
<input type="checkbox"/>	43130901	6,5	70	264	870	6,0	K1/K2	H	-	-	-
<input type="checkbox"/>	43120300	2,4	120	264	220	2,0	U,S,G,C	M	-	x	-
<input type="checkbox"/>	43120301	2,4	120	264	220	2,0	U,S,G,C	M	x	x	GS
<input type="checkbox"/>	43120303	10,0	120	264	87	2,0	U,S,G,C	M	x	x	-
<input type="checkbox"/>	43120304	2,4	120	264	220	2,0	U,S,G,C	M	x	x	A4
<input type="checkbox"/>	43120400	-	80	338	42	0,8	G,C	M	-	-	-
<input type="checkbox"/>											


\* A2 = AISI 304 / A4 = AISI 316L / GS = Galvanized steel




S235JR(St37.2)


- 43999021
- 43999721 A4

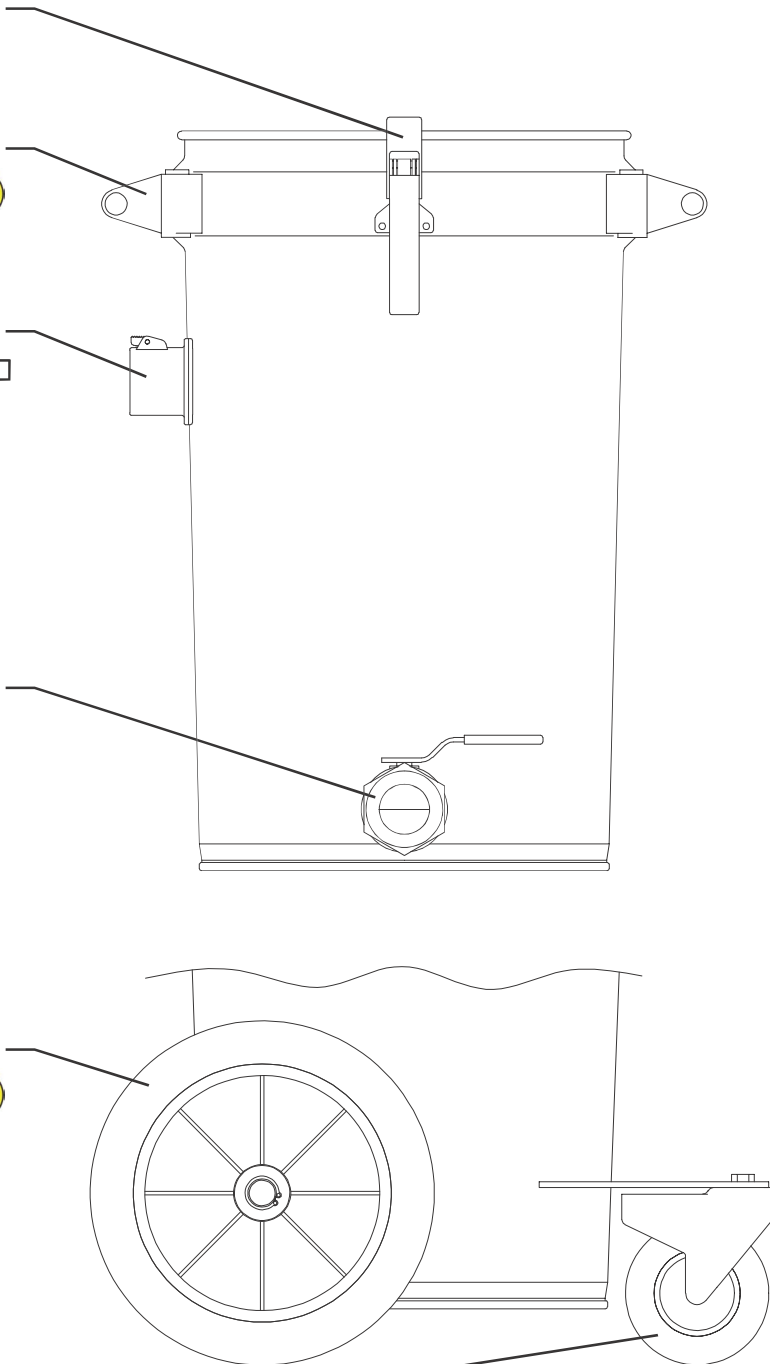
- 43999031
- 43999531 

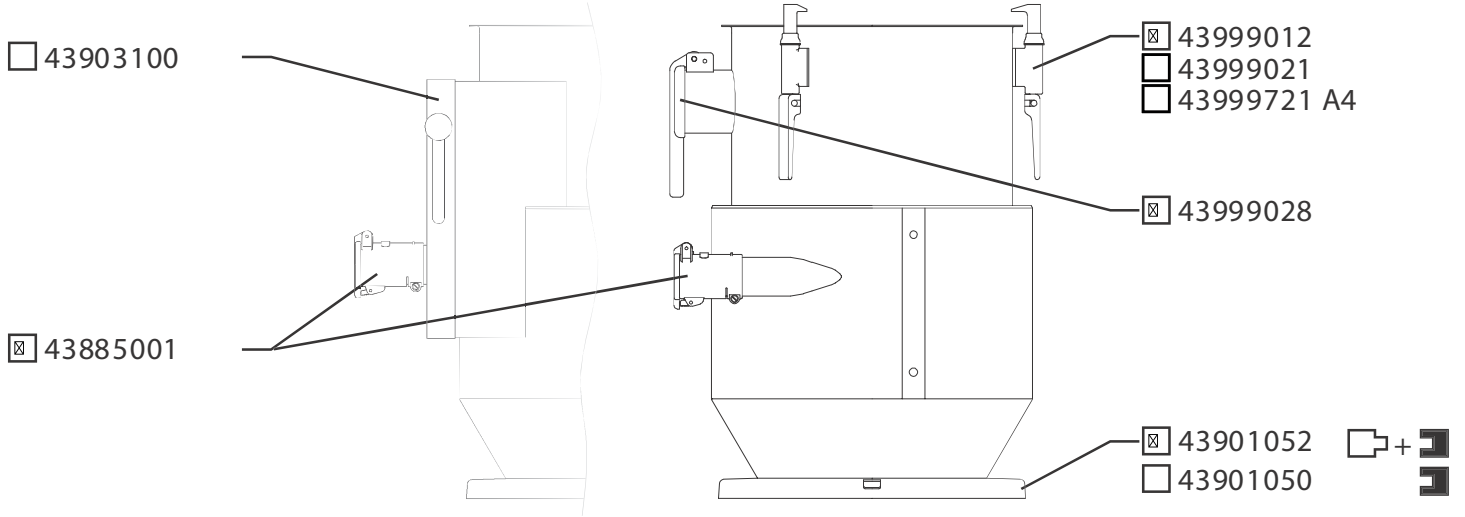
- 43999003
- 43885001 

- 43909003
- 43909103 A4
- 

- 43907013
- 43907015 

- 43907004
- 43907104 









S235JR(St37.2)

