

Electric powered series

306E - NEL3R, S50, 2.5/2.4kW 230V 50/60Hz

42430606

Original manual

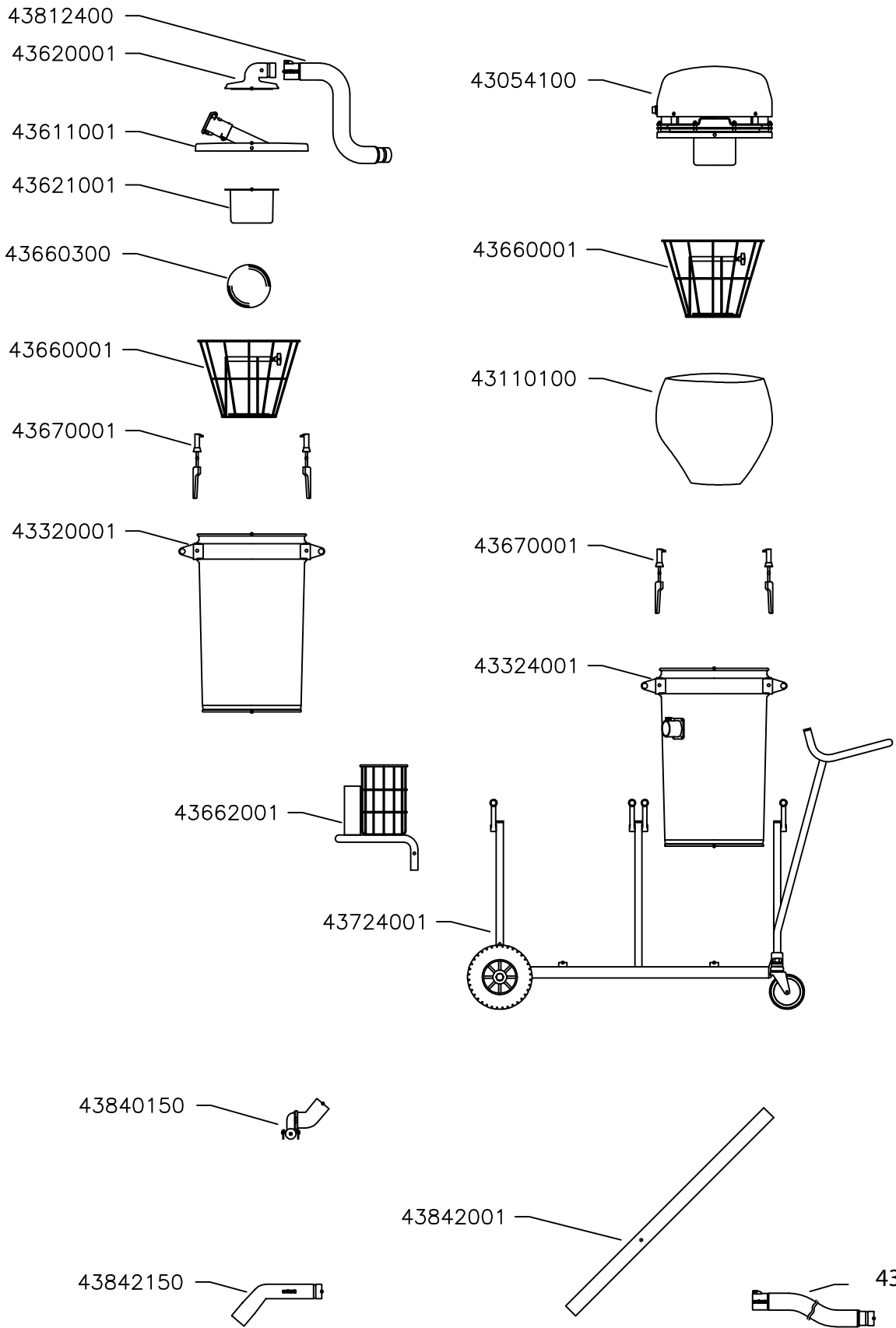
EN MODEL SPECIFICATION AND SPARE PARTS

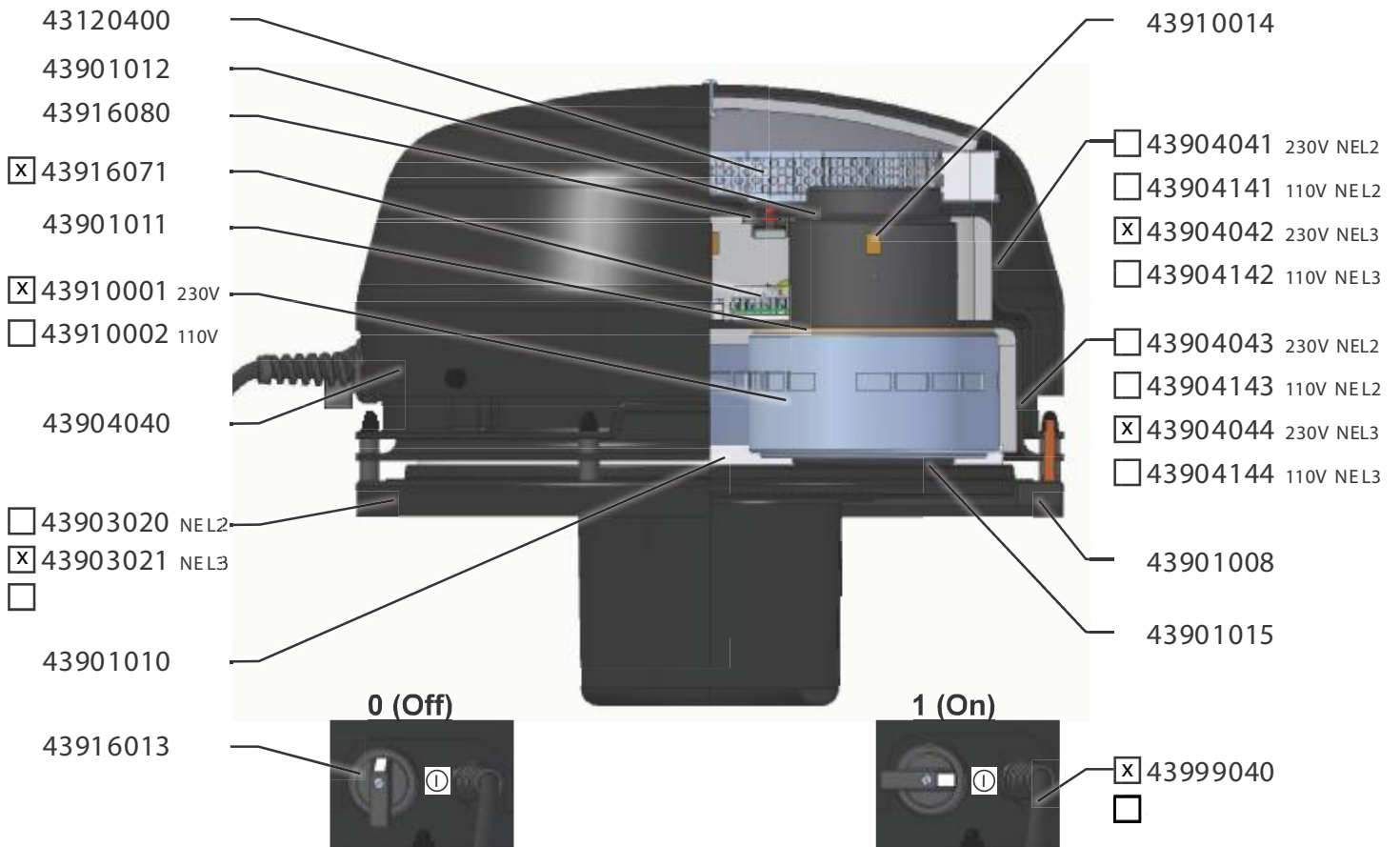
Model specification

Description: 306E - NEL3R, S50, 2.5/2.4kW 230V 50/60Hz

Model: 42430606

Code no.	Description	Qty.
43054100	NEL3R, S50 2.5/2.4kW 230V 50/60Hz	1
43110100	Filter bag S50 polyester/teflon	1
43320001	Container S50	1
43324001	Container S50 2 cont. comb.	1
43670001	Fastener complete	2
43660001	Basket S50 f/ball/filter bag	2
43660300	Float ball S50/200 d153, 480g antistatic	1
43662001	Accessory basket S50	1
43724001	Trolley double S50 tippable	1
43611001	Lid S50 w/inlet d51	1
43620001	Suction outlet w/flange d51	1
43621001	Cup w/flange	1
43812400	Suction hose PE d51 L=0,75m antist. w/couplings included	1
43812103	Hose PE/C-51 L=7,5m	1
43840150	Floor suct head d51/500	1
43842001	Suction pipe d51 PEHD-el L-1140 mm	1
43842150	Pipe bend d51 antistatic	1







	Product number:	Area m ²	Max. temp. °C	Diameter mm	Height mm	Weight kg	BIA	EN 60335-2-69 / EN1822	Anti-static	Wash-able	End plate*
<input type="checkbox"/>	43110001	0,50	70	-	-	0,6	-	-	-	-	-
<input checked="" type="checkbox"/>	43110100	0,35	120	-	-	0,2	-	-	-	-	-
<input type="checkbox"/>	43110200	0,35	120	-	-	0,2	-	-	X	-	-
<input type="checkbox"/>	43110300	0,59	120	-	-	0,4	-	-	-	-	-
<input type="checkbox"/>	43110400	0,59	120	-	-	0,4	-	-	X	-	-
<input type="checkbox"/>	43120100	2,38	70	264	220	1,7	U,S,G,C	M	-	-	-
<input type="checkbox"/>	43130001	2,38	70	264	220	2,0	U,S,G,C	M	-	-	-
<input type="checkbox"/>	43130100	2,38	70	264	220	1,0	U,S,G,C	M	-	-	-
<input type="checkbox"/>	43130200	5,40	70	264	470	2,0	U,S,G,C	M	-	-	-
<input type="checkbox"/>	43130201	5,40	70	264	470	3,0	U,S,G,C	M	-	-	-
<input type="checkbox"/>	43130300	6,90	70	264	600	3,0	U,S,G,C	M	-	-	-
<input type="checkbox"/>	43130301	6,90	70	264	600	4,0	U,S,G,C	M	-	-	-
<input type="checkbox"/>	43130400	10,00	70	264	870	5,0	U,S,G,C	M	-	-	-
<input type="checkbox"/>	43130401	10,00	70	264	870	5,0	U,S,G,C	M	-	-	-
<input type="checkbox"/>	43130500	1,56	70	264	220	2,1	K1/K2	H13	-	-	-
<input type="checkbox"/>	43120200	1,56	70	264	220	2,0	K1/K2	H13	-	-	-
<input type="checkbox"/>	43130700	3,50	70	264	470	3,2	K1/K2	H13	-	-	-
<input type="checkbox"/>	43130702	3,50	70	264	470	4,0	K1/K2	H13	-	-	-
<input type="checkbox"/>	43130800	4,50	70	264	600	3,8	K1/K2	H13	-	-	-
<input type="checkbox"/>	43130801	4,50	70	264	600	3,0	K1/K2	H13	-	-	-
<input type="checkbox"/>	43130900	6,50	70	264	870	4,8	K1/K2	H13	-	-	-
<input type="checkbox"/>	43130901	6,50	70	264	870	6,0	K1/K2	H13	-	-	-
<input type="checkbox"/>	43120300	2,28	120	264	220	2,0	U,S,G,C	M	-	X	-
<input type="checkbox"/>	43120301	2,38	120	264	220	2,0	U,S,G,C	M	X	X	GS
<input type="checkbox"/>	43120303	10,00	120	264	87	4,0	U,S,G,C	M	X	X	-
<input type="checkbox"/>	43120304	2,38	120	264	220	2,0	U,S,G,C	M	X	X	A4
<input type="checkbox"/>	43120400	0,7	80	338	42	0,8	U,S,G,C	M	-	-	-
<input type="checkbox"/>											

* A2=AISI 304 / A4=AISI 316L / GS=Galvanized steel



S235JR(St37.2)

- 43999021
- 43999721 A4

- 43999031
- 43999531

- 43999003
- 43885001

- 43909003
- 43909103 A4
-

- 43625001
-


- 43907011
- 43907013
- 43907015


- 43907004
- 43907104



S235JR(St37.2)


- 43999021
- 43999721 A4


- 43999031
- 43999531 

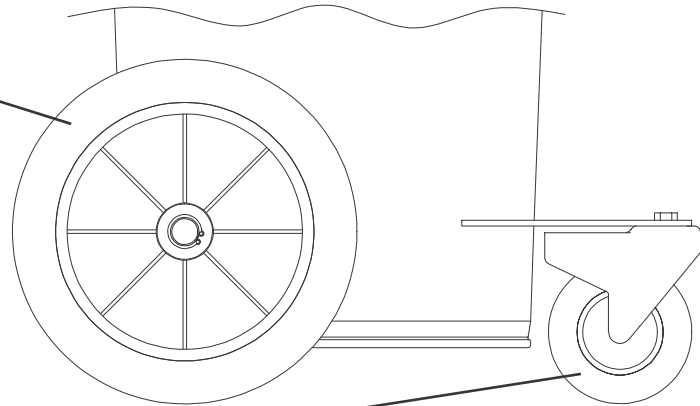
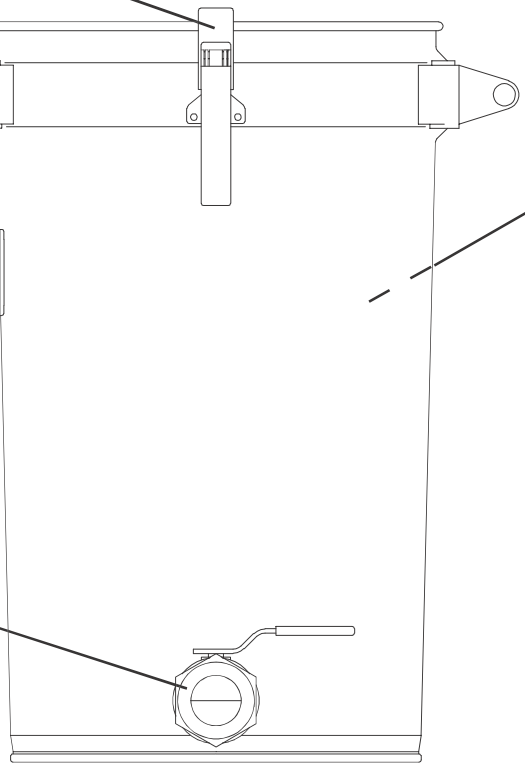
- 43999003
- 43885001 

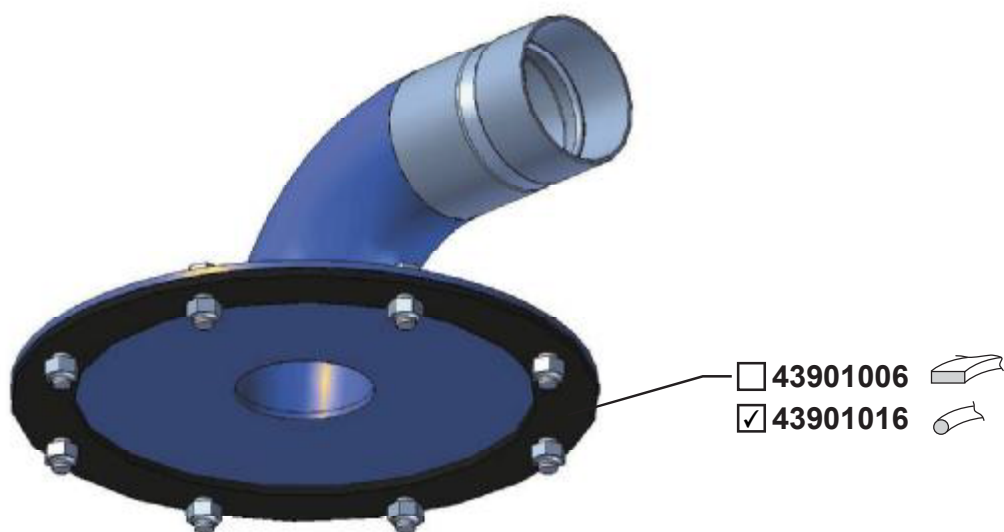
- 43909003
- 43909103 A4
-

- 43625001
-

- 43907011
- 43907013
- 43907015 

- 43907004
- 43907104 







S235JR(St37.2)

System 50 & 200

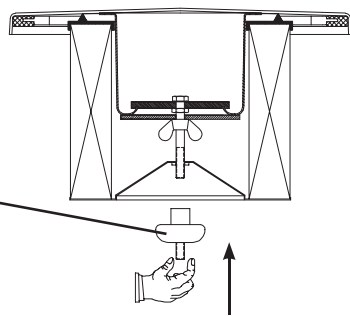
43908004



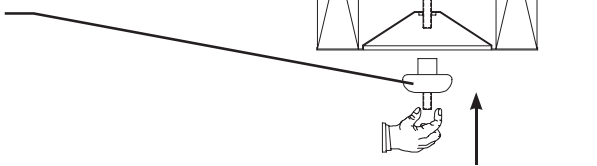
43903041



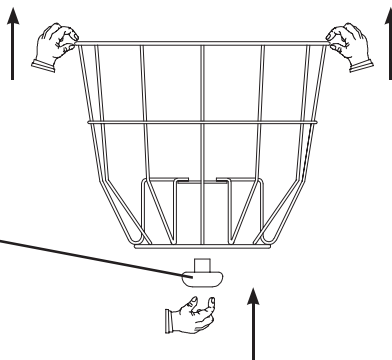
1



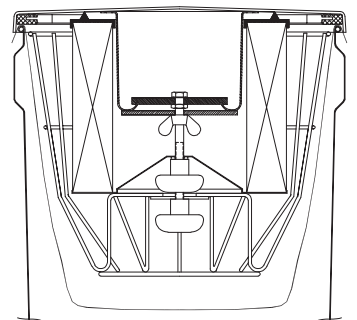
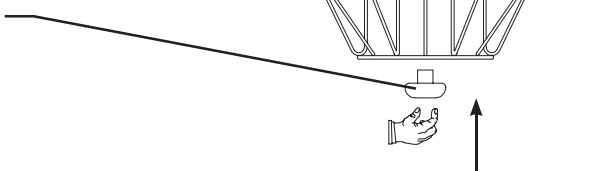
43908014



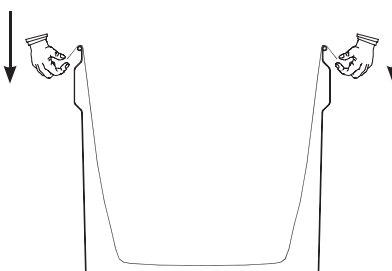
2



43908010

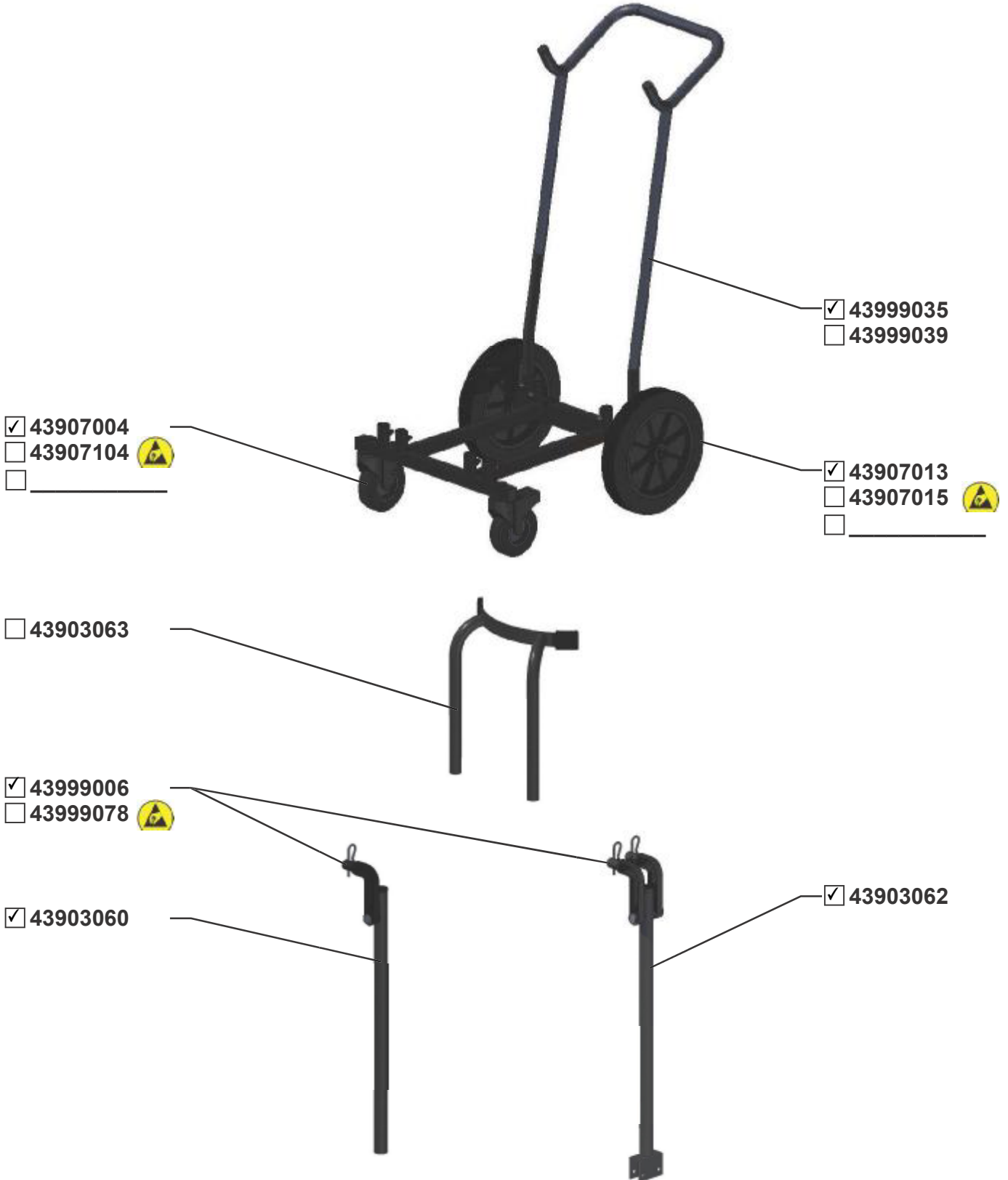


3





S235JR(St37.2)





43907001

43999007

L=400mm

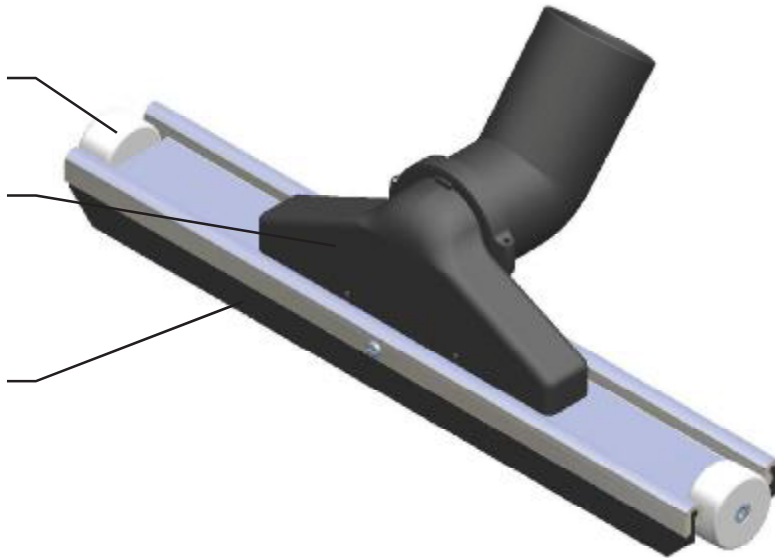
43902010

L=500mm

43902011

L=600mm

43902012



43907014

43999007

L=400mm

43902010

L=500mm

43902011

L=600mm

43902012

