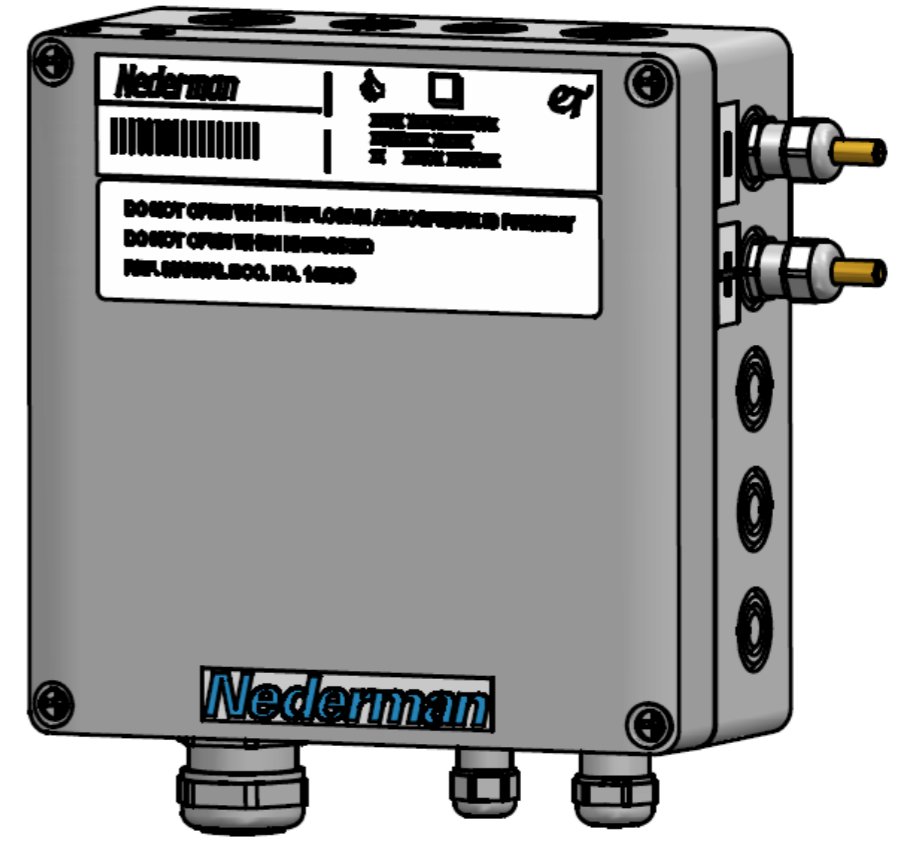


# High Vacuum Control Panel

## Electrical Wiring Diagram And Connection Notes



**Printer Setting:**  
 Page to print = All, Fit, Print both side of paper, Flip on short edge, Landscape, Page size A3 or A4

Designed	Drawn	View	Sheet	Rev:
FRALE	2022-09-14		1 / 3	A
FlexFilter EX Terminal Box			Drawing number	
Electrical Wiring Diagram EX High Stand			2184085.1	

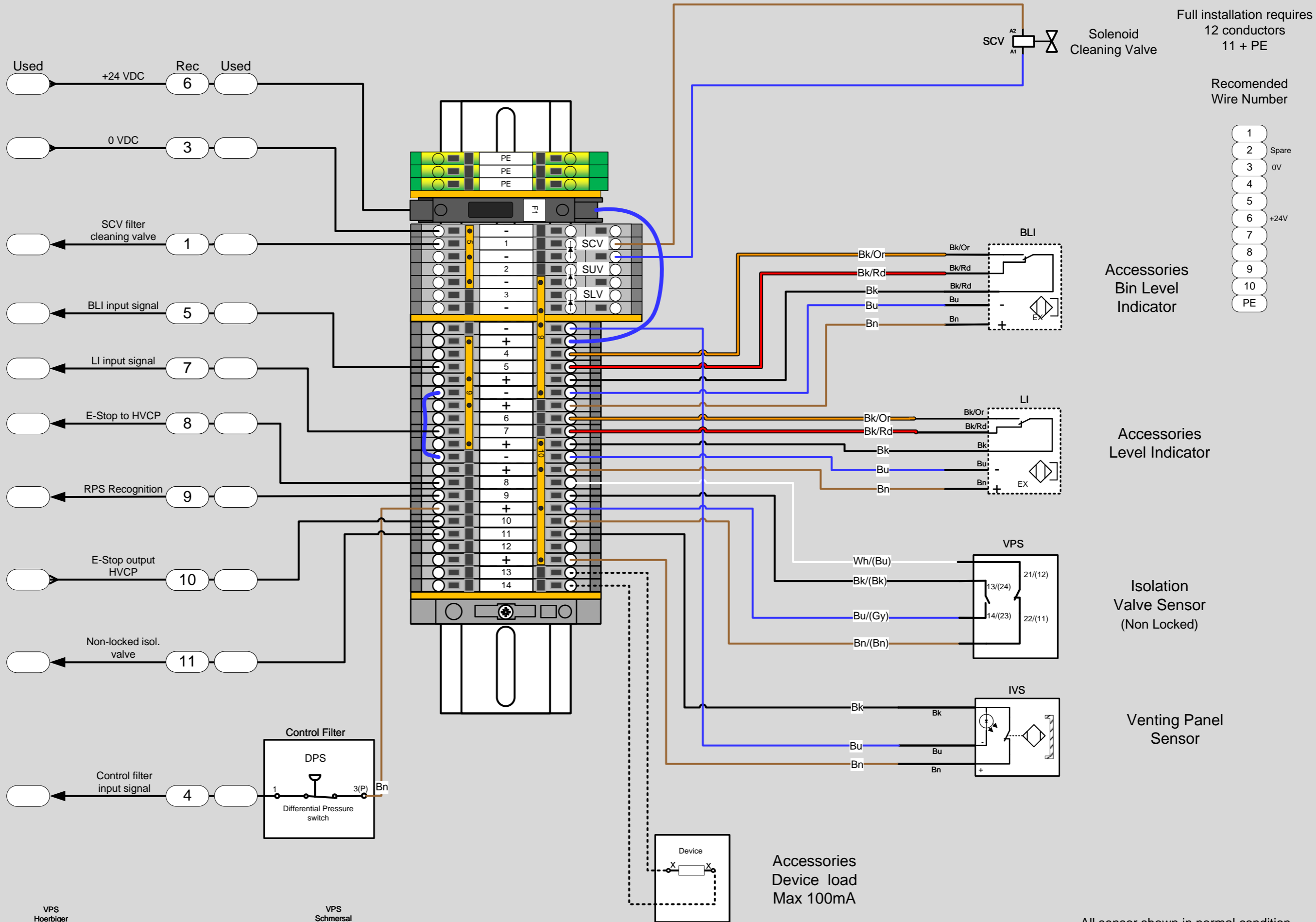


Designed	Drawn	View	Sheet	Rev:
FRALE	2022-09-14		1 / 3	A
FlexFilter EX Terminal Box			Drawing number	
Electrical Wiring Diagram EX High Stand			2184085.1	



FlexVac	HVCP
X1:7 F1= 50mA F	X1:141
X1:6	X1:142
X1:5	X1:41/43/ 51/53/85/ 91/119/ 121/125/ 127/171/ 173/175/ 177/179/ 181/183/ 185
X1:47	X1:59
N/A	X1:46
X1:83	X1:12/14/ 22/24
X1:43	X1:110/ 112/160/ 162
X1:84	X1:11/13/ 21/23
X1:16	X1:108/ 166
X1:50	X1:66/ 114/164/ 166

Terminals to be used according to HVCP configuration



Full installation requires 12 conductors 11 + PE

Recommended Wire Number

- 1
- 2 Spare
- 3 0V
- 4
- 5
- 6 +24V
- 7
- 8
- 9
- 10
- PE

Accessories Bin Level Indicator

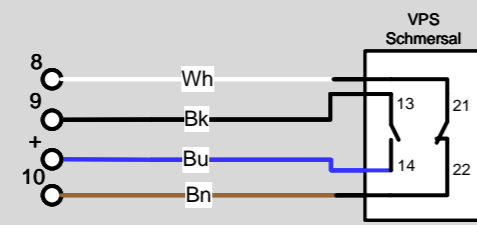
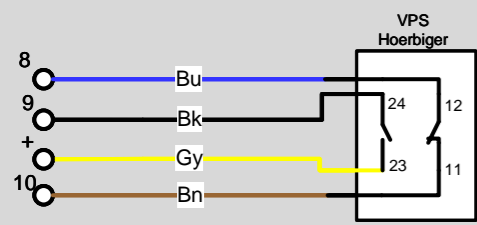
Accessories Level Indicator

Isolation Valve Sensor (Non Locked)

Venting Panel Sensor


Accessories Device load Max 100mA

All sensor shown in normal condition



Designed	Drawn	View	Sheet	Rev:
FRALE	2022-09-14		2 / 3	A
FlexFilter EX Terminal Box			Drawing number	
Layout Electrical Wiring EX High Stand			2184085.1	

Revision	Notes	Edited by	Date
A	Flexvac column is added and SCV Filter Clean Valve X1:41/43/51/53/82/87/119/121/171/173 is changed to X1:41/43/51/53/85/91/119/121/125/127/171/173/175/177/179/181/183/185	10772	2022-09-02

	Designed	Drown	View	Sheet	Rev
	Tommy Olsson	2022-09-14		3 / 3	A
	FlexFilter EX Terminal Box			Drawing number	
Revision notes			2184085.vsd		